



## 1. FEATURES

- Simple design, service and mounting.
- Small sizes.
- High quality, corrosions-proof
- Can be equipped with padlock

## 2. APPLICATION

The manual-operating mechanism type NN2 is designed for outdoor installation and used for the manual operation of disconnectors type ONI, ONIII which are produced in ABB Zwar S.A. in Poland.

## 3. SERVICE CONDITONS

The manual-operating mechanism type NN2 can be used for outdoor installation according to undermentioned conditions:

ambient temperature:

- maximum 313K (+40°C)
- average (within 24 h) up to 308K(+35°C)
- minimum 243K (-30°C)

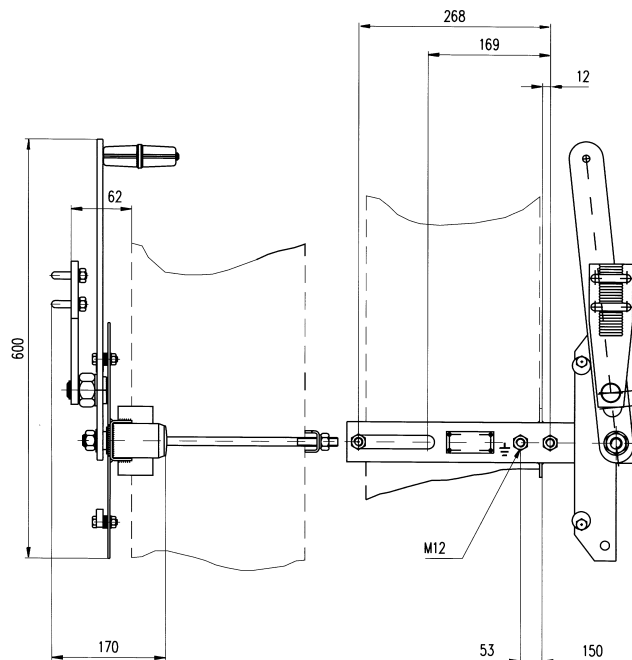
wind pressure up to 700 Pa

## 4. TECHNICAL DATA

No.	Designation	Value
1.	Maximum force of manual-operate	300 N
2.	Stroke of operating rode	104/142/186 mm
3.	Angular rotation of hand-crank	188 °
4.	Weight	7 kg

Attention: We have the right to change the construction as a consequence of technical development.

## 5. DIMENSION DRAWING



**ABB Sp. z o.o.**  
ul. Bitwy Warszawskiej 1920r. nr 18  
**Division ZWAR in Przasnysz**  
address: 59, Leszno Str.  
06 - 300 Przasnysz  
Phone: +48 22 51 52 838  
+48 22 51 52 831  
Fax: +48 22 51 52 659  
e-mail: export.plzwa@pl.abb.com