



ABB AG – Calor Emag Medium Voltage Products

Gas-insulated switchgear Type ZX0 – block version

Gas-insulated switchgear Type ZX0



Compact
Medium Voltage Switchgear
Typ ZX0

12 kV, ...1250 A, ...25 kA

24 kV, ...1250 A, ...25 kA

Gas-insulated switchgear Type ZX0

With IAC
classification
AFL 25 kA 1s
AFLR 25 kA 1s



Rated voltage	kV	12	24
Rated current of busbars	A	...1250	...1250
Rated current of tee-offs			
with circuit-breaker	A	...1250	...1250
With switch-disconnector	A	...630	...630
Rated short-circuit breaking current	kA	...25	...25
Width a	mm	400 / 600 ¹⁾	
Height b	mm	2100 or 2250	
Depth c	mm	950 / 1100 ¹⁾ 1185	
		wall installation	free standing

¹⁾ For Feeder currents > 800 A; with voltage metering

Gas-insulated switchgear Type ZX0



Block versions

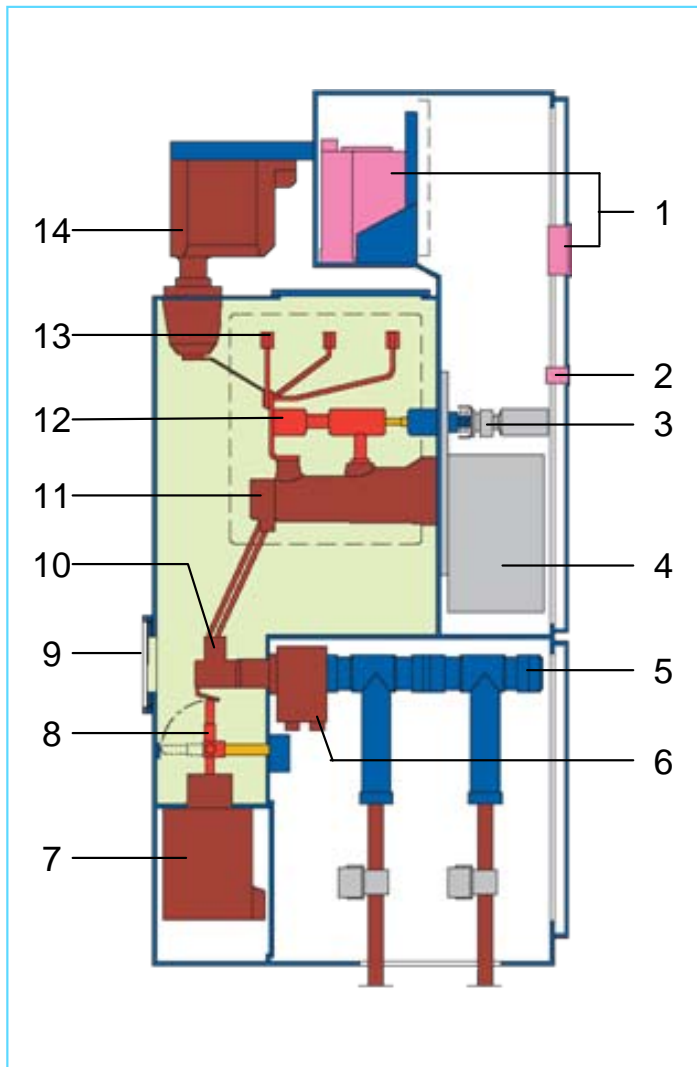
Width of function unit 400 and 600 mm

- ZX0 for all users
- Electrical operation for circuit-breaker, three position disconnecter and switch-disconnector
- With multifunctional protection and control unit

or

- For applications without auxiliary voltage
- Manual operation of all switching devices

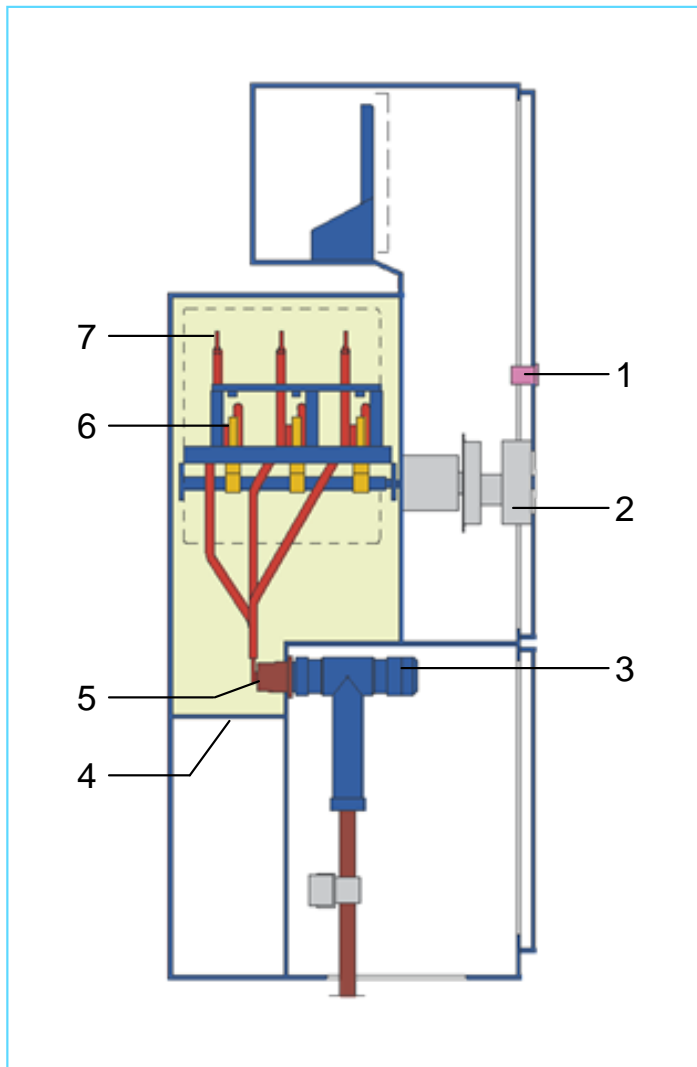
Gas-insulated switchgear Type ZX0



Circuit-breaker panel 1250 A

- 1 Multifunctional control and protection unit
 - 2 Measuring sockets for capacitive voltage indicator system
 - 3 Three position disconnector mechanism
 - 4 Circuit-breaker mechanism
 - 5 Cable plug
 - 6 Ring-type current trans-former
 - 7 Voltage transformer
 - 8 VT disconnecting device
 - 9 Pressure relief plate
 - 10 External cone
 - 11 Vacuum circuit-breaker
 - 12 Three position disconnector
 - 13 Busbars
 - 14 Plug-in busbar voltage transformers
- SF₆

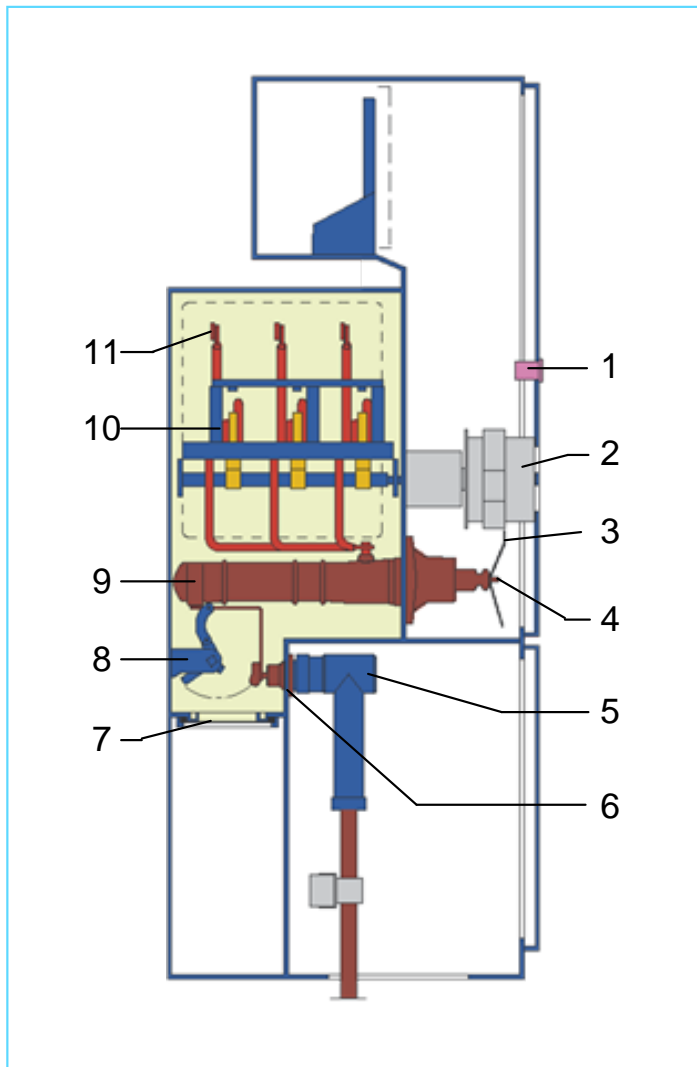
Gas-insulated switchgear Type ZX0



Switch disconnecter panel

- 1 Measuring sockets for capacitive voltage indicator system
 - 2 Three position switch disconnecter mechanism
 - 3 Cable plug
 - 4 Pressure relief plate
 - 5 External cone
 - 6 Three position switch disconnecter
 - 7 Busbars
- SF₆

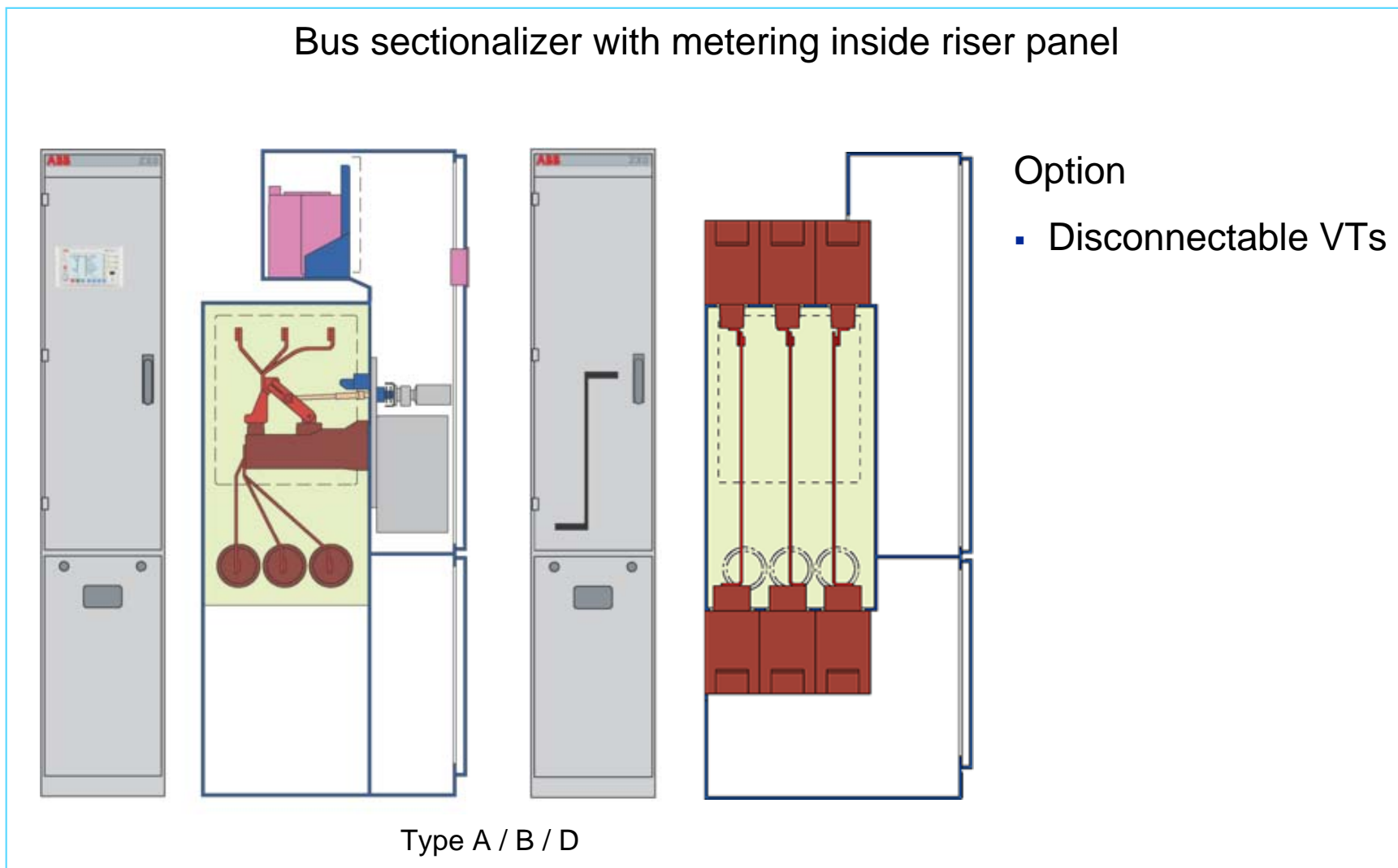
Gas-insulated switchgear Type ZX0



Switch disconnecter panel with fuses

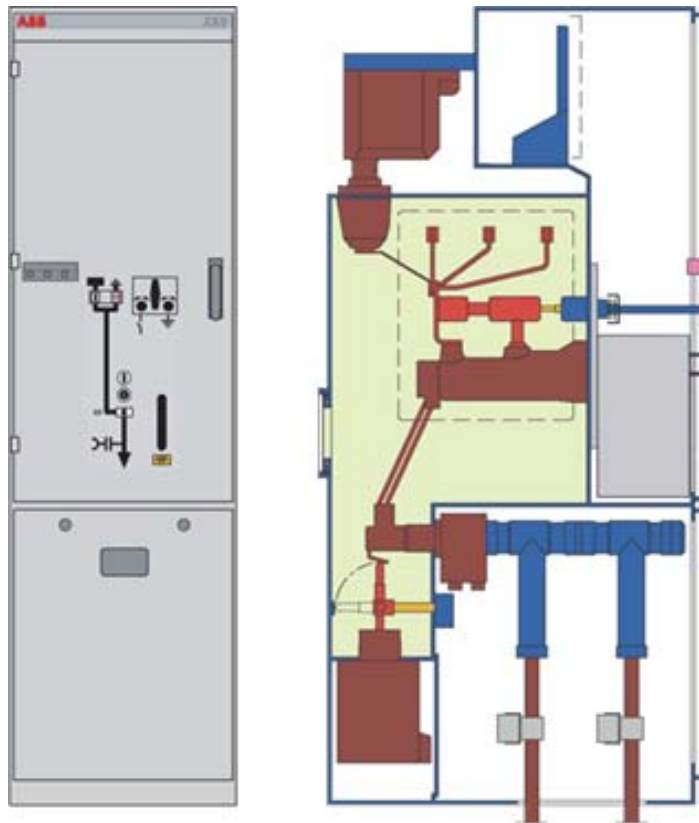
- 1 Measuring sockets for capacitive voltage indicator system
 - 2 Three position switch disconnecter mechanism
 - 3 Metallic cover plate
 - 4 Orifice for strike pin
 - 5 Cable plug
 - 6 External cone
 - 7 Pressure relief plate
 - 8 Cable earthing switch
 - 9 Fuse container
 - 10 Three position switch disconnector
 - 11 Busbars
- SF₆

Gas-insulated switchgear Type ZX0



Gas-insulated switchgear Type ZX0

Circuit-breaker panel 1250 A – width of function unit 600 mm
with manual operation



Type BE / BF

Option

- Motor drive for remote control
- Disconnectable cable metering
- Plug-in busbar metering

Power and productivity
for a better world™

