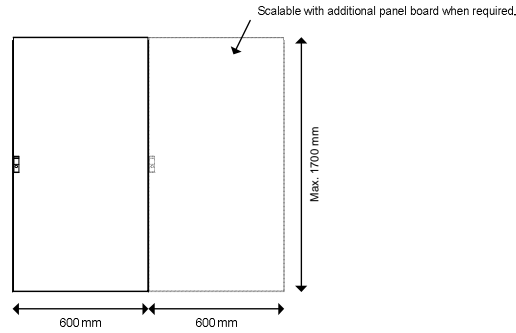
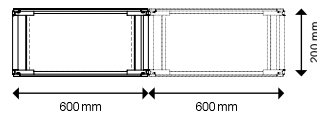


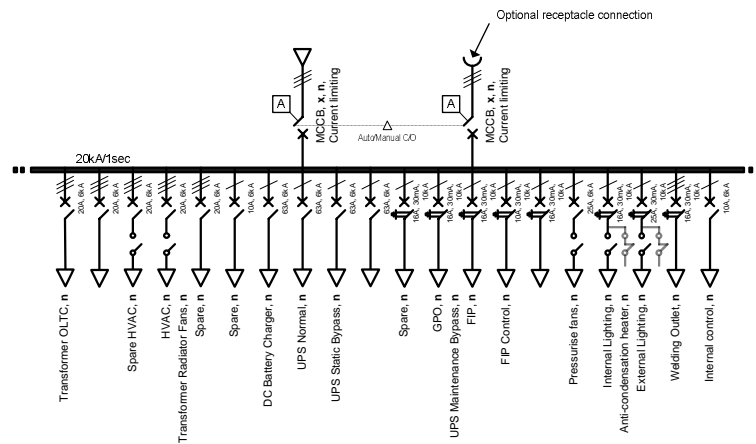
Front View



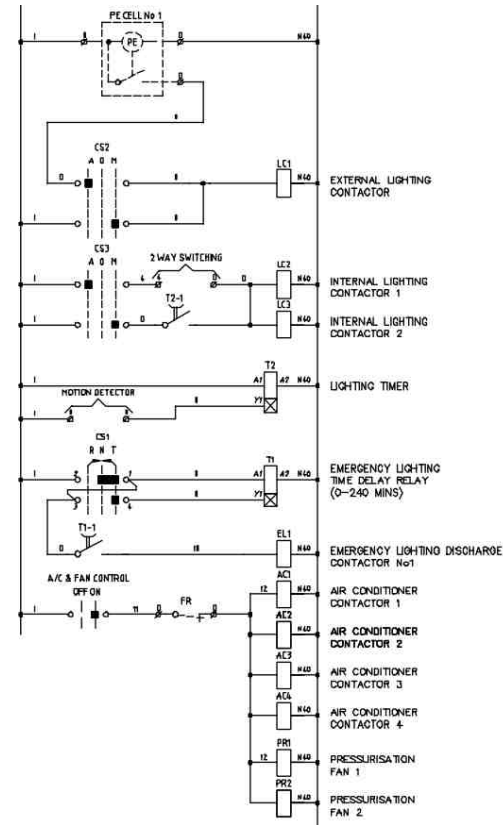
Top / Bottom plan



Single Line Diagram



Control Circuit



Protection Legend

A	Prot. Relay
50	50N
51	51N
	86

Notes

- 1) Indoor enclosure manufactured from mild steel.
- 2) Degree of Protection: IP41. Higher ratings on request.
- 3) Fitted with padlocking door.
- 4) Wiring rules, colour and identification to AS 3000 and AS 2067.
- 5) Cabinet is wall mounting construction.
- 6) Cabinet have bottom or top power cable entry.
- 7) Heat loss = 300W each cabinet.
- 8) Weight = 50kg each cabinet.
- 9) Optional receptacle generator cable connection available on request.
- 10) Refer technical offer for n, x value.

Disclaimer: The shown product pictures are mainly for illustration of the proposed functionalities. The supplied goods might look different from the illustrations shown

Date: 30 Aug 11 | Scale: NTS | Indoor Distribution Board Station Services, Light and Power

ABB Australia Pty Limited.

PANEL PROGRAM

Dwg #: 1VGA674134 | Rev.: C | Sh.: 1 | Dwn: JO | Chk: SC

