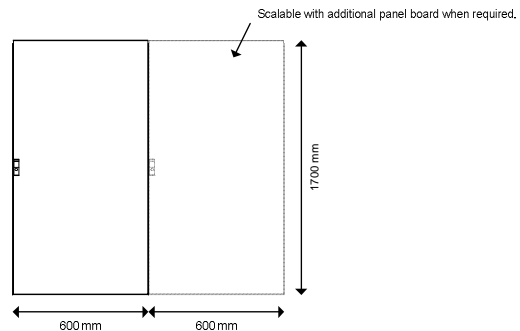
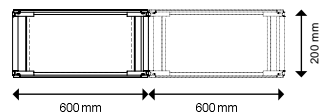


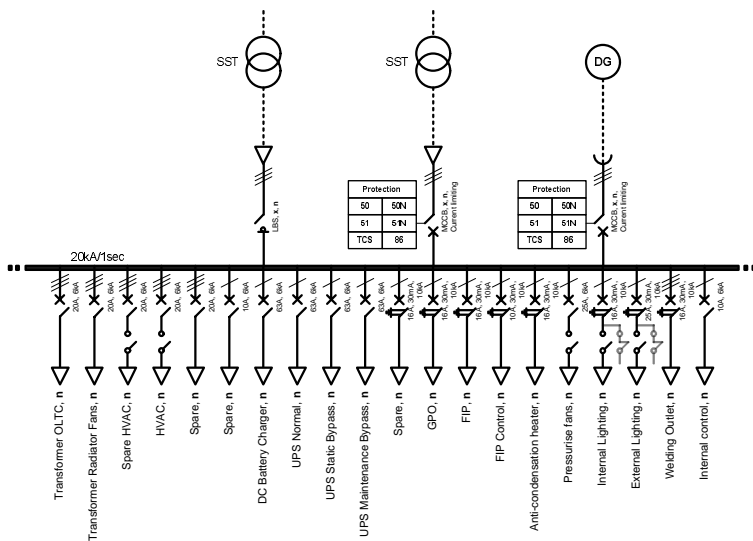
Front View



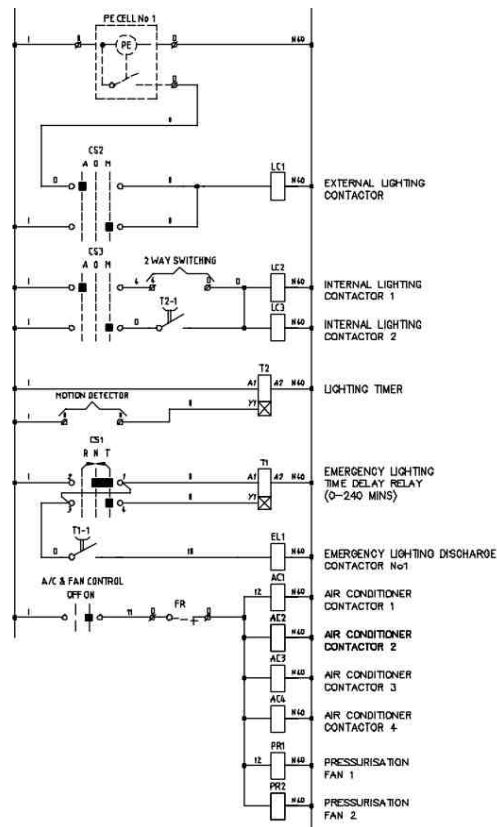
Floor plan



Single Line Diagram



Control Circuit



- Notes**
- 1) Outdoor weatherproof enclosure manufactured from 316 stainless steel.
  - 2) Degree of Protection: IP 56.
  - 3) Fitted with padlocking door.
  - 4) Wiring rules, colour and identification to AS 3000 and AS 2067.
  - 5) Cabinet is wall mounting construction.
  - 6) Cabinet have bottom power cable entry.
  - 7) Refer Project Technical Offer for **x** and **n** value.

**Disclaimer:** The shown product pictures are mainly for illustration of the proposed functionalities. The supplied goods might look different from the illustrations shown

Date: 13 Aug 11 | Scale: NTS | Station Services Outdoor Distribution Board

ABB Australia Pty Limited.

PANEL PROGRAM

Dwg #: 1VGA674131 | Rev.: D | Sh.: 1 | Dwn: JO | Chk: SC

