

Advance design  
OEM L-Frames, cell kits, & enclosures  
Metal-clad switchgear components  
OEM catalog & pricing

Power and productivity  
for a better world™



# Introduction

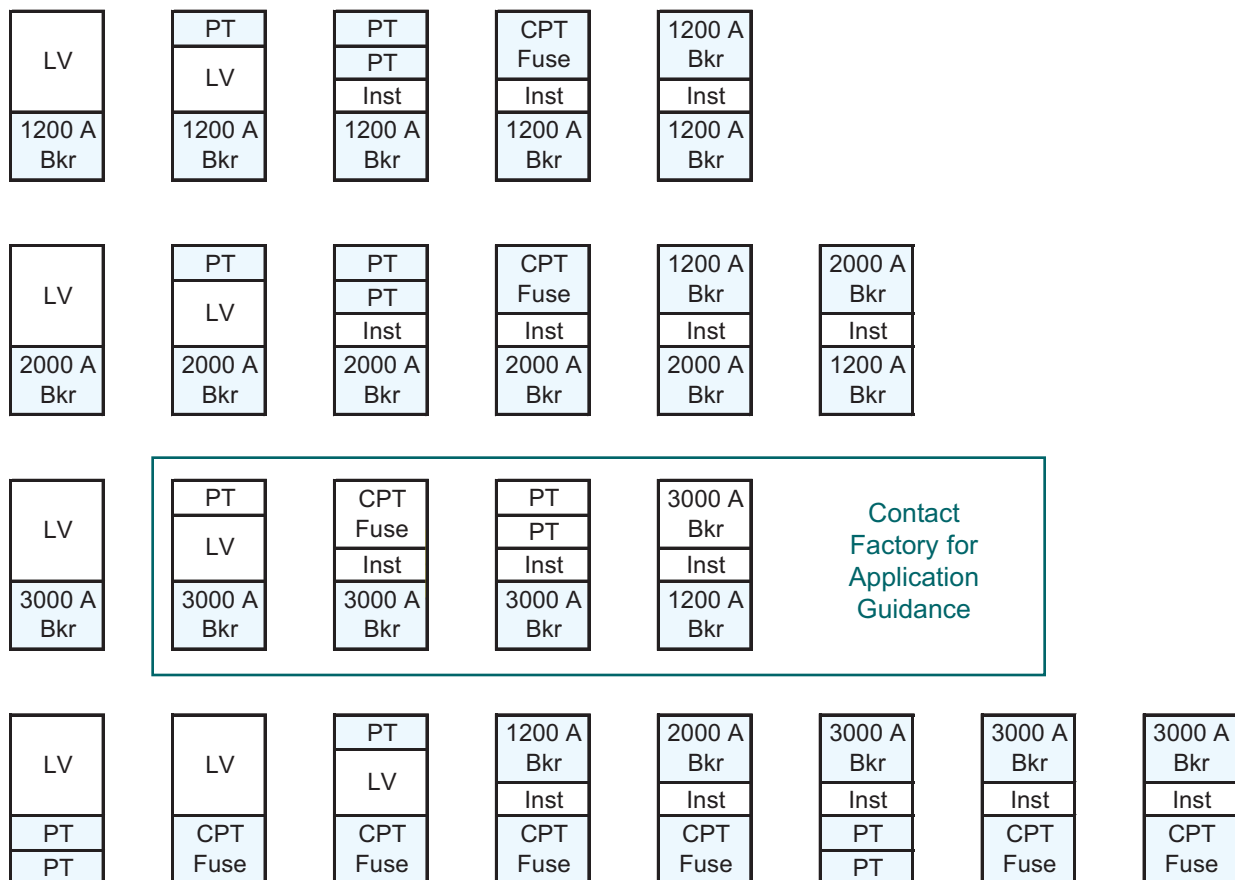
A modular system of switchgear building blocks and cassettes provide untouchable flexibility and quality to switchgear OEMs. A wide array of primary and secondary compartment modules can be stacked in a variety of arrangements to meet virtually any application, with compact footprints to reduce floor space. L-Frame cassettes are available to maximize the value-added contribution of the OEM, while incorporating all necessary breaker integration parts in a sturdy, pre-aligned assembly.

The ABB OEM program is founded on a commitment to outstanding customer service and the best reputation in the industry for long-term product support. Our OEM Sales and Marketing Team is here to help, and we are committed to the success of your business.

## Configuration Options

### Style Number Reference

ADVAC/AMVAC circuit breaker, auxiliary, and low voltage (instrument) modules can be stacked in a variety of configurations, as shown by the chart below. Modules are stackable to a total height of 95 inches.



# Table of Contents

---

## Configuration Options

Module Configuration Options ..... 2

## L-Frame

General Description ..... 4-5

## Breaker Cell Kit

General Description ..... 6

## Modules

5-15 kV Drawout Breaker Modules .....7-9  
5-15 kV Roll-on-the-Floor Breaker Modules ..... 10  
27 kV Drawout Breaker Modules ..... 11  
Low Voltage Modules ..... 12  
Potential Transformer Modules ..... 13  
Control Power Transformer Modules ..... 14  
Drawout Fuse Modules ..... 15

## Optional Components

Optional Components ..... 16

## L-Frame Price and Order Entry Worksheet

Complete L-Frame ..... 17

# L-Frame 5-15 kV

## L-Frame

ABB's L-Frame is manufactured to meet the current medium voltage industry standards. The designs are based on Advance switchgear, which is UL and CSA certified, providing reliability in the field. These offerings give the OEM the flexibility to utilize a minimum number of components. The intelligent design, rugged frame construction and durable components provide a high quality finished assembly. To order, start with AL, then select the appropriate basic unit catalog number for each type (Table K) and short circuit rating (Table L). Complete the catalog number by adding the appropriate digits for the primary contact rating and bushing type (Table M), shutter type (Table N), secondary disconnect (Table O) and certifications (Table P).



## L-Frame Ordering Aid

Digits 1-2	Type	Rating	Primary Contact & Bushing Type	Shutter Type	Secondary Disconnect	Digits 8-9	Certifications
AL	3 ○	4 ○	5 ○	6 ○	7 ○	00	10 ○

Table K: Type

Digit	Description	Selection
3	Standard drawout L-Frame	1
	L-Frame - Direct Rollout Onto the Floor	R

Table L: Rating

Digit	Nominal kA	Cell Width (inches)	Selection	Basic Unit List Price
4	36	36	1	\$4,000
	50	36	2	\$4,750

Table M: Primary Contact Rating and Bushing Type

Digit	Bushing	Rating	Selection	Add to List Price
5	Polyester Glass	1200	1	\$0
	Polyester Glass	2000	2	\$460
	Porcelain	1200	3	\$650
	Porcelain	2000	4	\$1,110
	Porcelain	3000	5	\$3,950

# L-Frame Ordering Aid

Table N: Shutter Type		
	Description	Selection
Digit 6	Grounded Metal	1
	Non-Metallic	2

Table O: Secondary Disconnect			
	Description	Specify "0" for None	List Price Adder
Digit 7	None	0	No Cost
	Single Disconnect (4 a & 4 b Aux Contacts)	1	\$0
	Dual Disconnect (9 a & 8 b Aux Contacts)	2	\$120

Note: Selection of secondary disconnects must match breaker.

Table P: Certifications		
	Description	Sections Available
Digit 10	No certification	0
	UL Label Required	U

## Note:

1) Breaker interference plates are not supplied with L-Frame. They must be ordered separately. For breaker interference plate information, please refer to OEM Full Frames Configuration Price List.

2) TOC actuators and Auxiliary switches are not supplied with L-Frame. They must be ordered separately. For TOC actuator and auxiliary switch information, please refer to OEM Full Frames Configuration Price List.

# Breaker Cell Kit 5-15 kV

## Cell Kit

ABB's Cell Kit is manufactured to meet the current medium voltage industry standards. The designs are based on Advance switchgear, which is UL and CSA certified, providing reliability in the field. These offerings give the OEM the flexibility to utilize a minimum number of components and maximize the value proposition to the end user.

The primary bushings can be ordered pre-installed on the kit back sheet or separately without the back sheet.

The secondary disconnect can be ordered pre-installed on the secondary pan or separately without the secondary pan.

To order, start with K, then select the appropriate options from the ordering aid.

## Breaker Cell Ordering Aid



DIGIT		
1	<input type="checkbox"/> K	PREFIX
		MODEL 03, AMVAC OR ADVAC BREAKER TYPE
2	<input type="checkbox"/>	1 STANDARD DRAWOUT R ROLL ON FLOOR
		SYSTEM "kv" RATING
3	<input type="checkbox"/>	1 5/15KV
		AMP RATING PRIMARY BUSHING MATERIAL
4	<input type="checkbox"/>	1 POLYESTER - 1200 AMP 2 POLYESTER - 2000 AMP 3 PORCELAIN - 1200 AMP 4 PORCELAIN - 2000 AMP 5 PORCELAIN - 3000 AMP
		SECONDARY DISCONNECT TERMINALS (MUST MATCH CIRCUIT BREAKER SECONDARY DISCONNECTS)
5	<input type="checkbox"/>	1 SINGLE SECONDARY (24 PIN) 2 DUAL SECONDARY (48 PIN)
		SECONDARY DISCONNECT MOUNTING ASSY WITH OPTIONAL MOUNTING PAN
6	<input type="checkbox"/>	0 MOUNTING PAN NOT INCLUDED 1 MOUNTING PAN INCLUDED
		PRIMARY BUSHING ASSY WITH OPTIONAL BACK SHEET MOUNTING PAN
7	<input type="checkbox"/>	0 ***BACK SHEET NOT INCLUDED*** 1 BACK SHEET INCLUDED
		PRIMARY CONTACT SHUTTERS
8	<input type="checkbox"/>	0 NONE 1 GROUNDED METAL 2 LEXAN

\* For direct roll onto the floor breakers, change second digit in unit prefix to "B", i.e. AB3A1

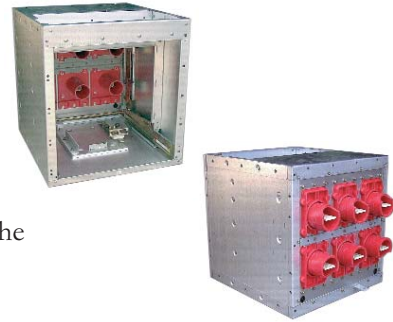
\* For fixed breakers, change second digit in style number to "F", i.e. AF3A1.

\* There is no difference in the list price for Fixed, Drawout, or Roll-on-the-Floor breaker versions.

# Drawout Breaker Modules 5-15 kV

## Circuit Breaker Modules

Circuit breaker modules are 38-inch high compartments with a choice of glass-polyester or porcelain primary contact supports and other options. Modules have the same overall size regardless of rating, but modules rated at 2000 A and 3000 A have a raised floor with a frontal vent system. To order, specify the style number for the desired current rating followed by the appropriate item number for required options.



### 1200 A/5-15 kV/50 kA Max Circuit Breaker Modules (doors must be ordered separately)

Style # Prefix 962896 -	Insulation		Secondary Disconnect		Primary Shutters		Short Circuit Rating	List Price
	Glass - Polyester	Porcelain	Single	Dual	Metal	Non-Metal	50 kA	
T13	●		●		●		●	\$5,655
T14	●		●			●	●	\$5,555
T15	●			●	●		●	\$5,785
T16	●			●		●	●	\$5,785
T05		●	●		●		●	\$6,350
T06		●	●			●	●	\$6,360
T07		●		●	●		●	\$6,480
T08		●		●		●	●	\$6,480

### 1200 A Breaker Component Doors

	List Price	
960900T05	1200 A Breaker Component Door (standard panel screws)	\$640
960900T06	1200 A Breaker Component Door with Stop Provision (standard panel screws)	\$685
962784T01	1200 A Breaker Component Door (Multi-Point Latch)	\$750
961385T01	1200 A Breaker Component Door, Outdoor Non Walk In (NWI ) (with 2 T-handles)	\$750

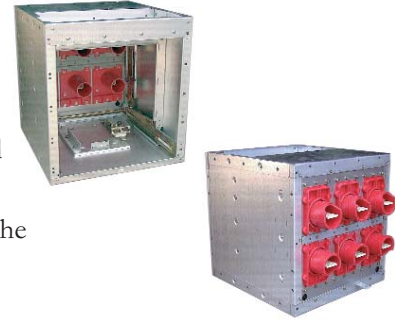
### Note:

- 1) Breaker interference plates are not supplied with Breaker Module. They must be ordered separately. For breaker interference plate information, please refer to OEM Full Frames Configuration Price List.
- 2) TOC actuators and Auxiliary switches are not supplied with Breaker Module. They must be ordered separately.
- 3) Door stops must be ordered separately when ordering doors with door stop provisions. Refer to OEM Full Frames Configuration Price List for details.

# Drawout Breaker Modules 5-15 kV

## Circuit Breaker Modules

Circuit breaker modules are 38-inch high compartments with a choice of glass-polyester or porcelain primary contact supports and other options. Modules have the same overall size regardless of rating, but modules rated at 2000 A and 3000 A have a raised floor with a frontal vent system. To order, specify the style number for the desired current rating followed by the appropriate item number for required options.



### 2000 A/5-15 kV/50 kA Max Circuit Breaker Modules (doors must be ordered separately)

Style # Prefix 962897 -	Insulation		Secondary Disconnect		Primary Shutters		Short Circuit Rating		List Price
	Glass - Polyester	Porcelain	Single	Dual	Metal	Non-Metal	50 kA	50 kA	
T13	●		●		●		●		\$6,350
T14	●		●			●	●		\$6,350
T15	●			●	●		●		\$6,480
T16	●			●		●	●		\$6,480
T05		●	●		●		●		\$7,045
T06		●	●			●	●		\$7,045
T07		●		●	●		●		\$7,175
T08		●		●		●	●		\$7,175

### 2000 A Breaker Component Doors

	List Price	
962778T01	2000 A Breaker Component Door (standard panel screws)	\$650
962778T02	2000 A Breaker Component Door with Stop Provision (standard panel screws)	\$700
962786T01	2000 A Breaker Component Door (Multi-Point Latch)	\$750
961426T01	2000 A Breaker Component Door, Outdoor Non Walk In (NWI ) (with 2 T-handles)	\$750

### Note:

- 1) Breaker interference plates are not supplied with Breaker Module. They must be ordered separately. For breaker interference plate information, please refer to OEM Full Frames Configuration Price List.
- 2) TOC actuators and Auxiliary switches are not supplied with Breaker Module. They must be ordered separately.
- 3) Door stops must be ordered separately when ordering doors with door stop provisions. Refer to OEM Full Frames Configuration Price List for details.

# Drawout Breaker Modules 5-15 kV

## 3000 A/15 kV Circuit Breaker Modules (doors must be ordered separately)

Style # Prefix 962898	Insulation		Secondary Disconnect		Primary Shutters		Short Circuit Rating	List Price
	Glass - Polyester	Porcelain	Single	Dual	Metal	Non-Metal	50 kA	
T05	Not Available	●	●		●		●	\$9,910
T06		●	●			●	●	\$9,910
T07		●		●	●		●	\$10,040
T08		●		●		●	●	\$10,040

### Notes:

1. Refer to Configuration Options on page 2 for allowable stacking arrangements.
2. Each circuit breaker module includes the basic module with guide rails, primary and ground contacts, and the secondary disconnect installed and aligned in the factory. Shutters are also factory installed. Compartment doors are NOT included.
3. All circuit breaker modules are shipped as “lower” units. To use 1200 A modules in “upper positions” the rear ground connection extension may be discarded. Lower modules are open on the top for access to low voltage wiring. A separate cover piece is available to cover this area for upper position installations of 1200 A modules.
4. Refer to Optional Components on page 16 for ordering information for TOC Switches and Kirk Key Interlock mounting provisions, which are supplied as optional kits for field installation.
5. Breaker modules are compatible with ABB type SAB bushing mounted current transformers (CTs). Refer to Optional Components for CT mounting kits. Refer to appropriate breaker module drawings and separate CT catalog to determine proper CT window size and ordering information.
6. Circuit breakers and accessories must be ordered separately.
7. Circuit breakers modules for use with standard breakers only, not used with direct roll out onto the floor breakers.



## 3000 A Breaker Component Doors

	List Price
962778T01	3000 A Breaker Component Door (standard panel screws) \$650
962778T02	3000 A Breaker Component Door with Stop Provision (standard panel screws) \$700
962786T01	3000 A Breaker Component Door (Multi-Point Latch) \$750
961426T01	3000 A Breaker Component Door, Outdoor Non Walk In (NWI ) (with 2 T-handles) \$750

### Note:

- 1) Breaker interference plates are not supplied with Breaker Module. They must be ordered separately. For breaker interference plate information, please refer to OEM Full Frames Configuration Price List.
- 2) TOC actuators and Auxiliary switches are not supplied with Breaker Module. They must be ordered separately.
- 3) Door stops must be ordered separately when ordering doors with door stop provisions. Refer to OEM Full Frames Configuration Price List for details.

# Roll-on-the-Floor Modules 5-15 kV (50 kA Max)

## 1200 A/5-15 kV Max Roll on the Floor Circuit Breaker Module (doors must be ordered separately)

Style # Prefix 961225 -	Insulation		Secondary Disconnect		Primary Shutters		Position		List Price
	Glass - Polyester	Porcelain	Single	Dual	Metal	Non-Metal	Upper	Lower	
T01	●		●		●		●		\$5,655
T02	●		●			●	●		\$5,655
T03	●			●	●		●		\$5,785
T04	●			●		●	●		\$5,785
T05	●		●		●			●	\$6,350
T06	●		●			●		●	\$6,350
T07	●			●	●			●	\$6,480
T08	●			●		●		●	\$6,480

## 2000 A/5-15 kV Max Roll on the Floor Circuit Breaker Module (doors must be ordered separately)

Style # Prefix 961226 -	Insulation		Secondary Disconnect		Primary Shutters		Position	List Price
	Glass - Polyester	Porcelain	Single	Dual	Metal	Non-Metal	Lower	
T01	●		●		●		●	\$6,350
T02	●		●			●	●	\$6,350
T03	●			●	●		●	\$6,480
T04	●			●		●	●	\$6,480
T05		●	●		●		●	\$7,045
T06		●	●			●	●	\$7,045
T07		●		●	●		●	\$7,175
T08		●		●		●	●	\$7,175

## 3000 A/5-15 kV Max Roll on the Floor Circuit Breaker Module (doors must be ordered separately)

Style # Prefix 961227 -	Insulation		Secondary Disconnect		Primary Shutters		Position	List Price
	Glass - Polyester	Porcelain	Single	Dual	Metal	Non-Metal	Lower	
T01		●	●		●		●	\$9,910
T02		●	●			●	●	\$9,910
T03		●		●	●		●	\$10,040
T04		●		●		●	●	\$10,040

## Roll on the Floor (ROF) Breaker Compartment Doors

	List Price	
CS01046H20T01	1200 A ROF Breaker Compartment Door (Multi-Point Latch)	\$650
961432T01	2000 A/ 3000 A ROF Breaker Compartment Door (Multi-Point Latch)	\$650

## Breaker Component Doors

	List Price	
961432T01	1200 A/ 2000 A/ 3000 A ROF Breaker Compartment NWI (with 2 T-handles)	\$700

# Drawout Breaker Modules 27 kV

## 27 kV 1200 A Drawout Circuit Breaker Module

Part #	Secondary Disconnect		Breaker Door		Porcelain Insulation	List Price
	Single	Dual	With door	Without door		
99029H682T01		•		•	•	\$7,300
99029H682T02		•	•		•	\$8,000
99029H682T03	•			•	•	\$7,175
99029H682T04	•		•		•	\$7,875

## 27 kV 2000 A Drawout Circuit Breaker Module

Part #	Secondary Disconnect		Breaker Door		Porcelain Insulation	List Price
	Single	Dual	With door	Without door		
99029H685T01		•		•	•	\$7,995
99029H685T02		•	•		•	\$8,695
99029H685T03	•			•	•	\$7,870
99029H685T04	•		•		•	\$7,570

## 27 kV Breaker Component Doors

		List Price
960080T01	27 kV, 1200 A Breaker Compartment Door, NWI, with 2 T-handles	\$750
960081T01	27 kV, 2000 A Breaker Compartment Door, NWI, with 2 T-handles	\$770

### Note:

- 1) Breaker interference plates are not supplied with Breaker Module. They must be ordered separately. For breaker interference plate information, please refer to OEM Full Frames Configuration Price List.
- 2) TOC actuators and Auxiliary switches are not supplied with Breaker Module. They must be ordered separately.

# Low Voltage Modules

## Low Voltage Modules

Low voltage modules are 19-, 38- or 57-inch high stackable compartments for mounting instruments, relays, terminal blocks and other devices with associated control wiring. All low voltage modules are 22 inches deep.



Low Voltage Modules			List Price
960910T13	19" Blank Instrument Compartment Door		\$425
960910T14	38" Blank Instrument Compartment Door		\$640
960910T15	57" Blank Instrument Compartment Door		\$855
960910T22	19" Blank Instrument Compartment Door with Stop Provision		\$470
960910T23	38" Blank Instrument Compartment Door with Stop Provision		\$685
960910T24	57" Blank Instrument Compartment Door with Stop Provision		\$900

Low Voltage Modules (must be ordered separately)				
Style #	Height	For Mounting Over		List Price
		1200 A CB or CPT or Fuse Modules	2000 A or 3000 A CB Modules	
961817T01	19-inch	●	●	\$935
961817T02	38-inch	●	●	\$1,125
961817T03	57-inch	●	●	\$1,315

**Notes:**

1. Low voltage modules include side-mounted grommets for control wiring to adjacent sections. The bottom is open for access to low voltage mounting locations above circuit breaker modules (TOC mounting area).
2. Compartment doors are NOT included.

# Drawout PT Modules

## Potential Transformer Modules

Potential transformer modules are 19-inch high compartments available for a variety of transformer arrangements, with a choice of glass-polyester or porcelain primary contact supports. The modules include the drawout tray and racking system. A lift truck is required to insert and remove the drawout trays from installed switchgear. The lift truck and other accessories are identical to those required for ADVAC/AMVAC circuit breakers. To order, specify drawing number 962899 followed by the appropriate item number (ie, 962899T09).



### Potential Transformer Modules (doors must be ordered separately)

Style # Prefix 962899 -							Transformer Quantity				List Price
	Voltage		Insulation		Connection		2	3	1	1	
	5 kV	15 kV	Glass - Polyester	Porcelain	Cable	Bus	Transformer Arrangement				
						2-Fuse Delta	1-Fuse Wye	2-Fuse L-L	1-Fuse L-G		
T09	●			●	●		●				\$5,285
T10	●			●	●			●			\$5,285
T11	●			●	●				●		\$5,340
T12	●			●	●					●	\$5,385
T13	●		●		●	●	●				\$5,385
T14	●		●		●	●		●			\$4,860
T15	●		●		●	●			●		\$4,695
T16	●		●		●	●				●	\$4,745
T25		●		●	●		●				\$5,285
T26		●		●	●			●			\$5,285
T27		●		●	●				●		\$5,440
T28		●		●	●					●	\$5,385
T29		●	●		●	●	●				\$4,860
T30		●	●		●	●		●			\$4,860
T31		●	●		●	●			●		\$4,695
T32		●	●		●	●				●	\$4,745

#### Notes:

1. Potential transformer (PT) modules include the basic stackable module with guide rails, primary connections, and secondary disconnects installed.
2. Potential transformer modules include drawout tray (shipped installed in Disconnected position) with mounting provisions and hardware for ABB type VIY-60 PTs (5 kV modules) or ABB VIZ-11 PTs (15 kV modules). Trays include primary and secondary contacts, fuse clips, fuse boots and mounting hardware for fuses. Refer to drawing 961324 for compatible fuse types.
3. Potential transformers and fuses are NOT included.
4. Compartment doors are NOT included.

### PT Compartment Doors (all doors equipped with standard panel screws)

	List Price	
960904T05	19" PT Compartment Door	\$425
960904T06	19" PT Compartment Door with Stop Provision	\$470

# Drawout CPT Modules

## Control Power Transformer Modules

Control power transformer (CPT) modules are 38-inch high compartments available for 5-, 10- or 15 kVA transformers, with glass-polyester primary contact supports. The modules include the drawout tray and racking system. A lift truck is required to insert and remove the drawout trays from installed switchgear. The lift truck and other accessories are identical to those required for ADVAC/AMVAC circuit breakers.



### CPT Modules (doors must be ordered separately)

Style #	Insulation		Connection		List Price
	Glass - Polyester	Porcelain	Cable	Bus	
961325T01	●		●	●	\$7,865

#### Notes:

1. CPT modules include the basic stackable module with guide rails, primary connections, and secondary disconnects installed. Modules include the drawout tray (shipped installed in Disconnected position) with mounting provisions and hardware for ITI type CPT-3 (5 kV modules) or CPT-5 (15 kV modules) single-phase, unfused control power transformers. Trays include primary and secondary contacts, fuse clips, fuse boots and mounting hardware for fuses. Fuse clip mounting is adjustable for 9, 12 or 15-inch size C fuses. Refer to drawing 961325 for compatible fuse types.
2. Control power transformers, fuses and secondary breakers are NOT included.
3. Compartment doors are NOT included.

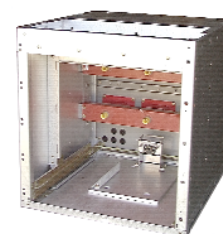
### PT, CPT & Fuse Compartment Doors (all doors equipped with standard panel screws)

	List Price	
960903T01	38" CPT/Fuse Compartment Door	\$640
960903T02	38" CPT/Fuse Compartment Door with Stop Provision	\$685

# Drawout Fuse Modules

## Drawout Fuse Modules

Drawout fuse modules are 38-inch high compartments used to protect and interlock large control power transformers fixed-mounted in the rear of the switchgear. A choice of glass-polyester or porcelain primary contact supports is available. The modules include the drawout tray and racking system. A lift truck is required to insert and remove the drawout trays from installed switchgear. The lift truck and other accessories are identical to those required for ADVAC/AMVAC circuit breakers. To order, first determine fuse size by voltage (clip centers) and current (barrel size), and then specify drawing number 921354 followed by the appropriate item number (ie, 921354T01).



## Drawout Fuse Modules

Style # Prefix 921354-	Insulation		Fuse Quantity			Fuse Types CS-3 or EJ-01				EJ-01 Only		List Price
						15-inch clip centers		12-inch clip centers		9-inch clip centers		
	Glass - Polyester	Porcelain	1	2	3	3-inch D	2-inch C	3-inch D	2-inch C	3-inch D	2-inch C	
T01	•				•	•						\$7,150
T02	•				•		•					\$7,150
T03	•				•			•				\$7,150
T04	•				•				•			\$7,150
T05	•				•					•		\$7,150
T06	•				•						•	\$7,150
T07	•			•								\$6,930
T08	•			•			•					\$6,930
T09	•			•				•				\$6,930
T10	•			•					•			\$6,930
T11	•			•						•		\$6,930
T12	•			•							•	\$6,930
T13	•		•			•						\$6,720
T14	•		•				•					\$6,720
T15	•		•					•				\$6,720
T16	•		•						•			\$6,720
T17	•		•							•		\$6,720
T18	•		•								•	\$6,720
T19		•			•	•						\$8,090
T20		•			•		•					\$8,090
T21		•			•			•				\$8,090
T22		•			•				•			\$8,090
T23		•			•					•		\$8,090
T24		•			•						•	\$8,090
T25		•		•		•						\$7,870
T26		•		•			•					\$7,870
T27		•		•				•				\$7,870
T28		•		•					•			\$7,870
T29		•		•						•		\$7,870
T30		•		•							•	\$7,870
T31		•	•			•						\$7,650
T32		•	•				•					\$7,650
T33		•	•					•				\$7,650
T34		•	•						•			\$7,650
T35		•	•							•		\$7,650
T36		•	•								•	\$7,650

### Notes:

- Drawout fuse modules include the basic stackable module with guide rails and primary connections installed. The modules include drawout trays (shipped installed in Disconnected position) with primary contacts, fuse clips, mounting provisions and hardware for fuses.
- Fuses and secondary breakers are NOT included.
- Compartment doors are NOT included.

# Optional Components

## Optional Components

A variety of optional components are available to support control system design, main bus assembly and support, and other aspects of switchgear construction. Use part numbers for ordering. Contact factory for information on removable bus joint covers (boots).

Optional Components		
Part Number	Description	List Price
<b>Truck Operated Contacts (TOC Switches)</b>		
931678T01	TOC Actuator (order switch separately)	\$215
924196A00	Aux Switch 8 Pole for TOC (order actuator separately)	\$340
924196B00	Aux Switch 16 Pole for TOC (order actuator separately)	\$695
924196C00	Aux Switch 24 Pole for TOC (order actuator separately)	\$1,050
<b>Breaker Module KIRK Key Interlock Lock (mechanism only, KIRK Key not included)</b>		
961190T01	KIRK Key Interlock 1200 A Single Key	\$375
961190T02	KIRK Key Interlock 2000/3000 A Single Key	\$375
961190T03	KIRK Key Interlock 1200 A Dual Key	\$400
961190T04	KIRK Key Interlock 2000/3000 A Dual Key	\$400
<b>CT Mounting Kit Assemblies (order 1 per CT position)</b>		
<i>- for 1200 A/2000 A breakers up to 40 kA</i>		
961192T01	1-Std Accuracy/Bushing 3.5" (steel)	\$40
961192T02	2-Std Accuracy or 1-High Accuracy 7.0" (steel)	\$60
<i>- for 1200 A/2000 A breakers up to 50 kA</i>		
961192T03	1-Std Accuracy/Bushing 3.5" (fiberglass)	\$100
961192T04	2-Std Accuracy or 1-High Accuracy 7.0" (fiberglass)	\$150
<i>- for 5 or 15 kV 3000 A compartments</i>		
961192T05	1-Std Accuracy/Bushing 3.5" (fiberglass)	\$100
961192T06	2-Std Accuracy or 1-High Accuracy 7.0" (fiberglass)	\$150
<b>Main Bus Mounting Assemblies (bus supports only – bus not included)</b>		
931773T06	Polyester Supports for .25 X 4.0 Bus - 1200 A	\$425
931773T07	Polyester Supports for .75 X 4.0 Bus - 2000 A	\$425
931773T08	Porcelain Supports for .25 X 4.0 Bus - 1200 A	\$780
931773T09	Porcelain Supports for .75 X 4.0 Bus - 2000 A	\$825
931773T10	Porcelain Supports for (2) .75 X 4.0 Bus - 3000 A	\$855
<b>Remote Capacitor Trip Devices (for use with AC trip voltage on ADVAC breakers)</b>		
CTD-5-120	120 VAC Input / 250 VDC Output	\$1,480
CTD-5-240	240 VAC Input / 250 VDC Output	\$1,480

# L-Frame Price and Order Entry Worksheet

Complete L-Frame										
L-Frame Smart Style Number										
A	L						0	0		
1	2	3	4	5	6	7	8	9	10	
							Smart Code	List Price		
Step 1: Select type from Table K. Enter digit 3.										
Step 2: Select rating from Table L. Enter digit 4.										
Step 3: Select primary contact rating and bushing type from Table M. Enter digit 5.										
Step 4: Select shutter type from Table N. Enter digit 6.										
Step 5: Select secondary disconnect from Table O. Enter digit 7.										
Step 6: Select certifications from Table P. Enter digit 10.										
							Total List Price			
							Enter Multiplier			
							Calculate Net Price			

# Contact Us

**ABB Inc.**

655 Century Point

Lake Mary, FL 32746

Ph. + 407-732-2000 or 1-800-929-7947

Fax. +1-407-732-2029

[www.abb.com/mediumvoltage](http://www.abb.com/mediumvoltage)

Components in this catalog are intended for use by switchgear assemblers engaged in original equipment manufacturing. All sales are subject to ABB Inc. General Terms and Conditions of Sale, ABBGTC073101.

While every effort has been made to assure the accuracy of technical specifications and pricing, the information in this catalog is subject to change without notice.

ADVAC is a registered trademark of ABB Inc.

© Copyright 2009 ABB. All rights reserved.

1VAF060701-PL November 2009 Rev. D

Power and productivity  
for a better world™

