

# DCS800

Hardware Manual  
update SDCS-COM-8  
DCS800 Drives (20 to 5200 A)

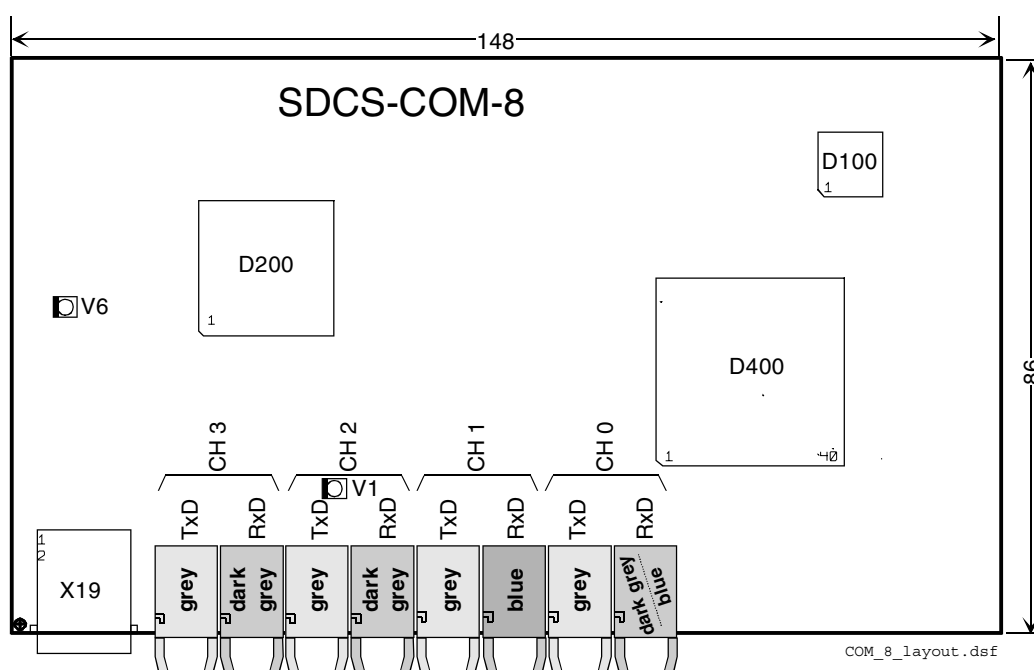


## Interface Board SDCS-COM-8

This board must be used together with a DCS800 to provide same serial communication DDCS options as ACS800.

Furthermore the board is equipped with four optical channels (max. data transmission speed is 4 Mb for each optical channel):

- **Channel 0** is used to communicate data from the overriding control (FCI, APC2, AC800M, Nxxx-xx (adapter modules for fieldbus), AC800M) or via adapter modules from other controllers) to the DCS800-drive.
- **Channel 1** is used for DDCS I/O extension. AIMA-01 board see separate documentation.
- **Channel 2** (Master-Follower) is used to operate two or more drives dependent on each other.
- **Channel 3** is prepared to connect the PC tool for commissioning and maintenance (DriveWindow).
- **Connector X19** is used for CDP 312 panel as well as interface board NDPI.



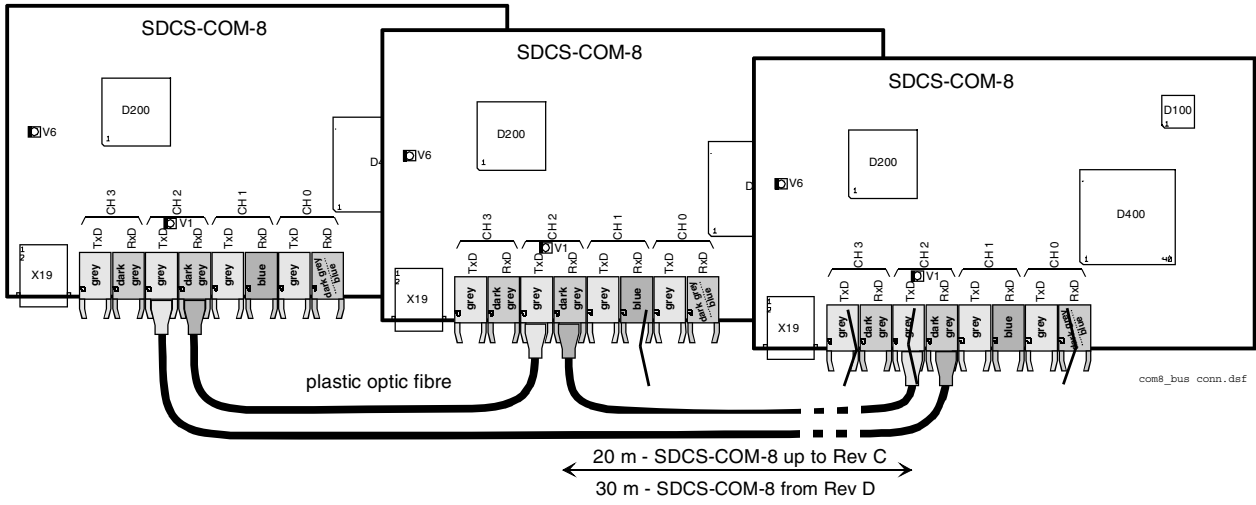
Type	Revision	optical components				Channel 0 used for	max. driver current	
		Ch 0 PLC	Ch 1 I/O	Ch 2 M/F	Ch 3 DW			
SDCS-COM-81	up to C	10 Mb	5 Mb	10 Mb	10 Mb	other interfaces	Ch 0, 2, 3	30 mA
SDCS-COM-82	up to C	5 Mb	5 Mb	10 Mb	10 Mb	Fieldbus adapter modules Nxxx-xx	Ch 2, 3	30 mA
SDCS-COM-81	from D	10 Mb	5 Mb	10 Mb	10 Mb	other interfaces	Ch 0, 2, 3	50 mA
SDCS-COM-82	from D	5 Mb	5 Mb	10 Mb	10 Mb	Fieldbus adapter modules Nxxx-xx	Ch 2, 3	50 mA

Color of optical components:

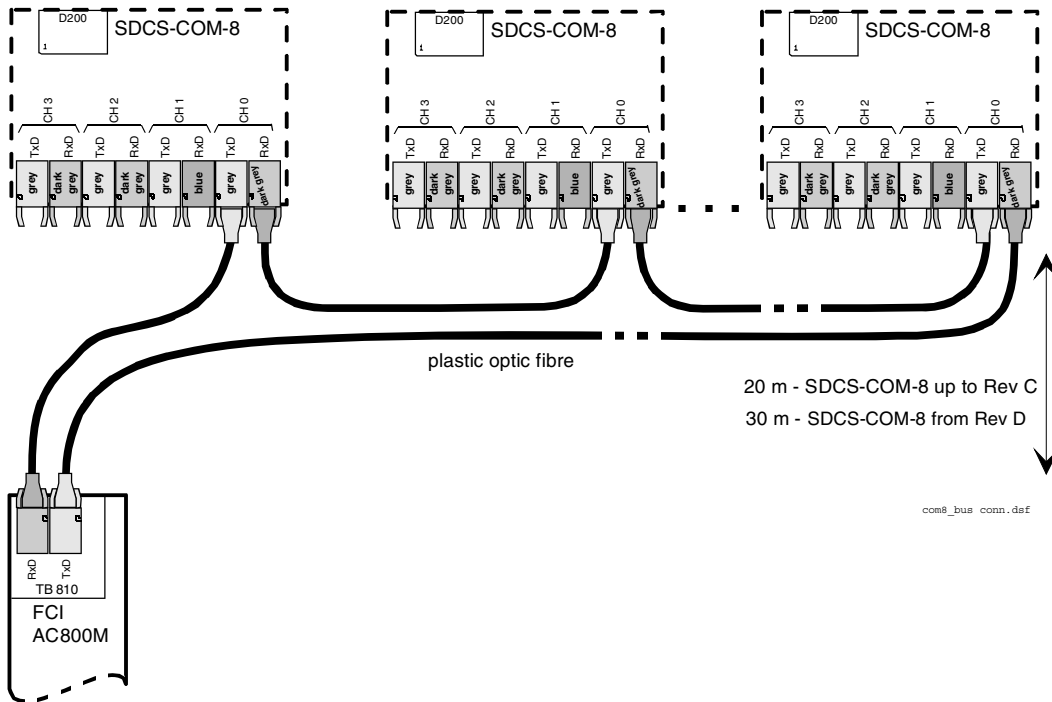
5 Mb -> blue      driver current maximum 30 mA

**Remark:** Only channels with the same components (e.g. 10 Mb component) may be connected to each other.

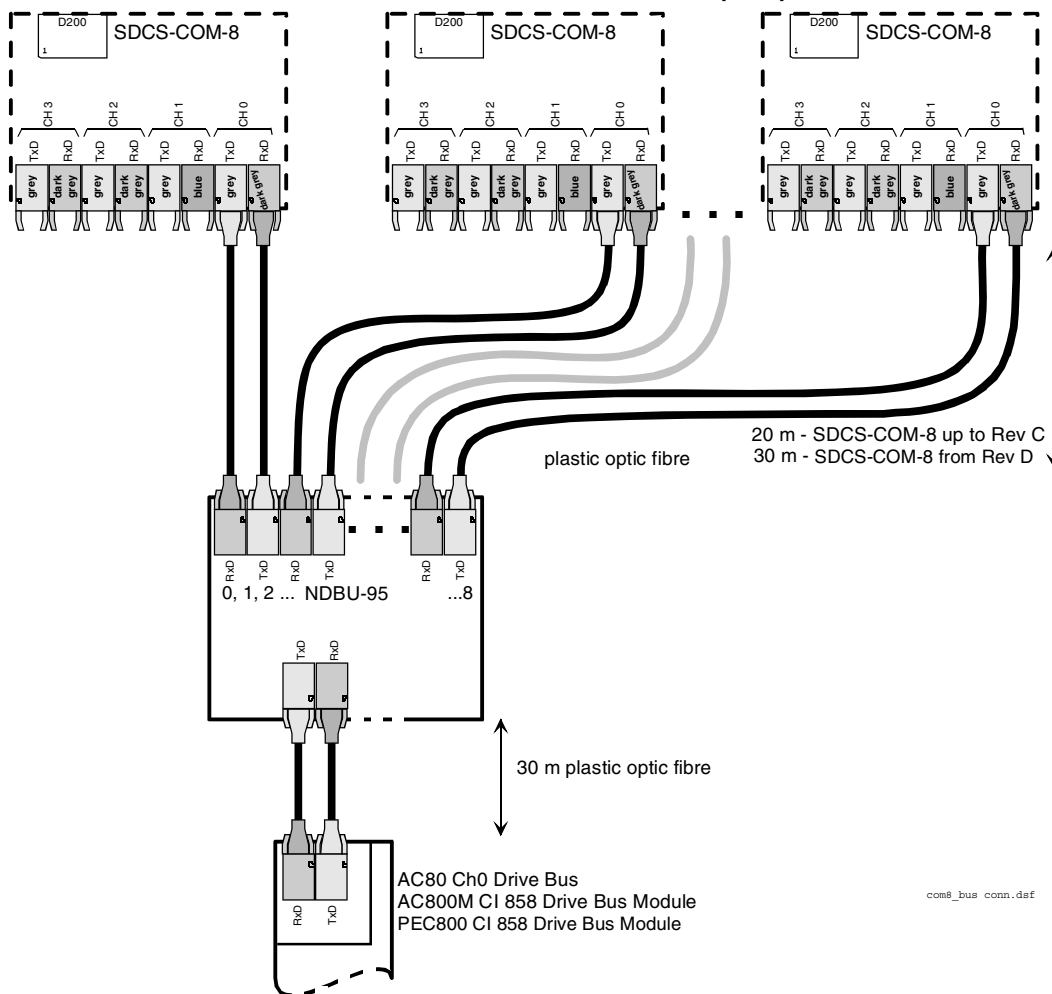
### Ch2 SDCS-COM-8 Master-Follower channel connections to other drives



### Ch0 Module Bus connections to Advant controllers (ring)

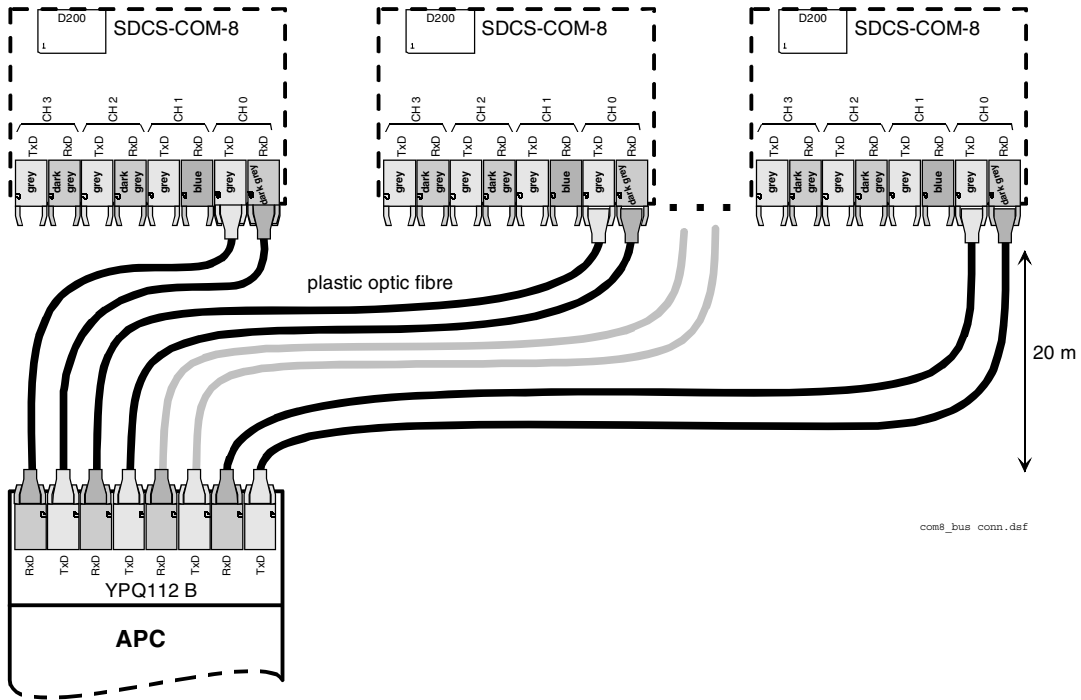


### Ch0 Drive Bus connections to Advant Controller (star)

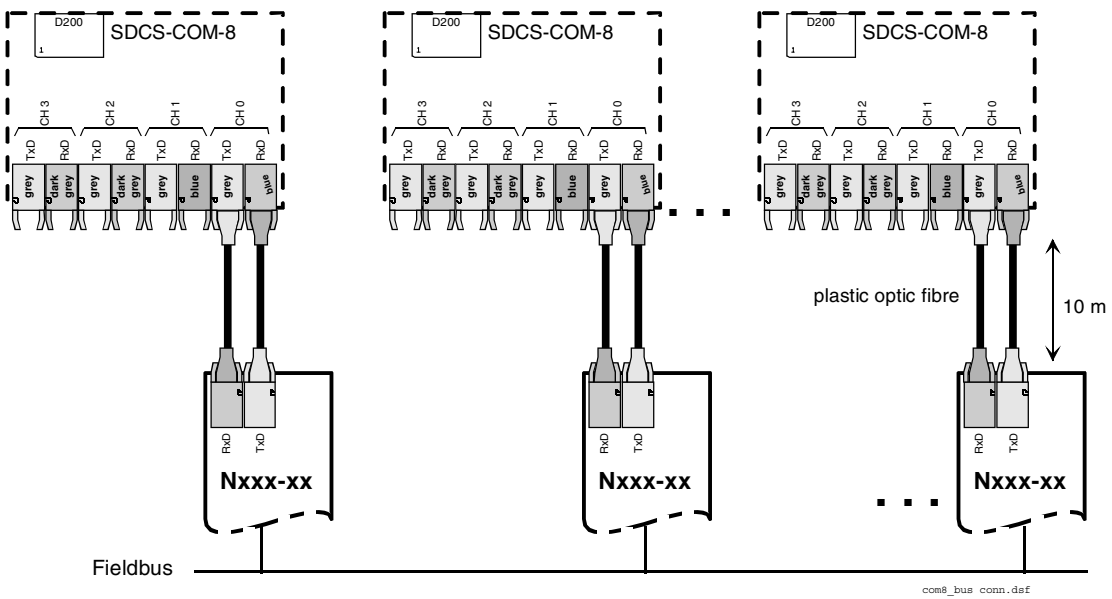


com8\_bus\_conn.dsf

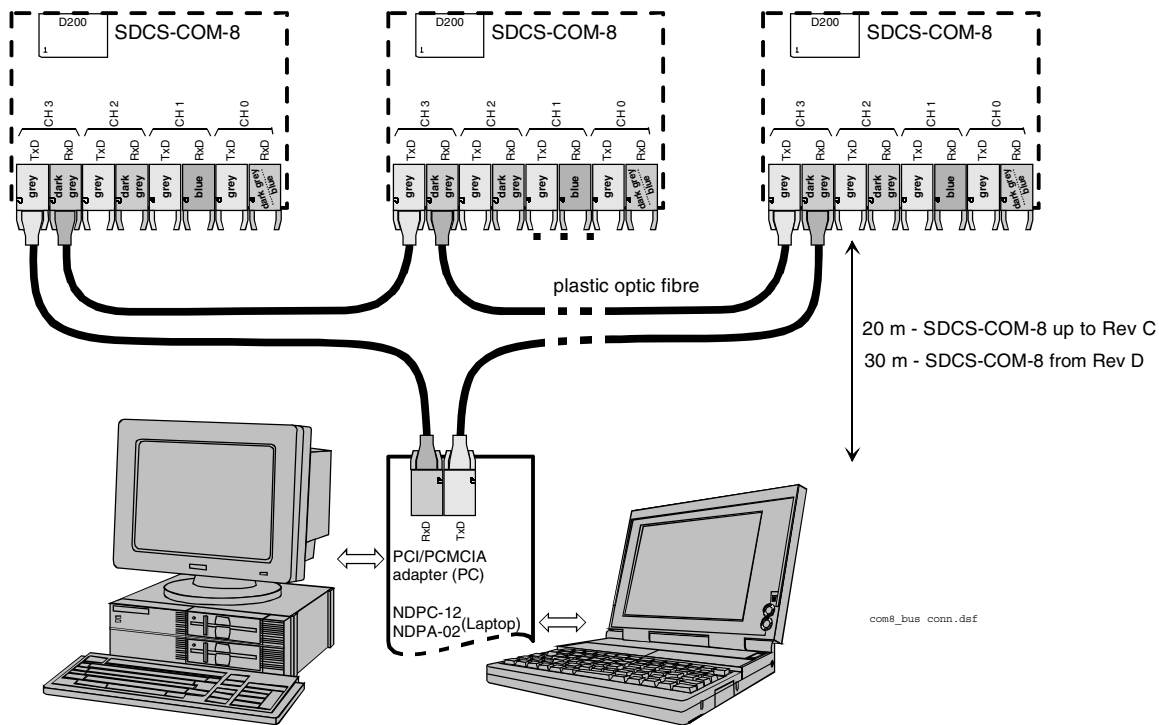
### Ch0 Connections to APC Application Controller



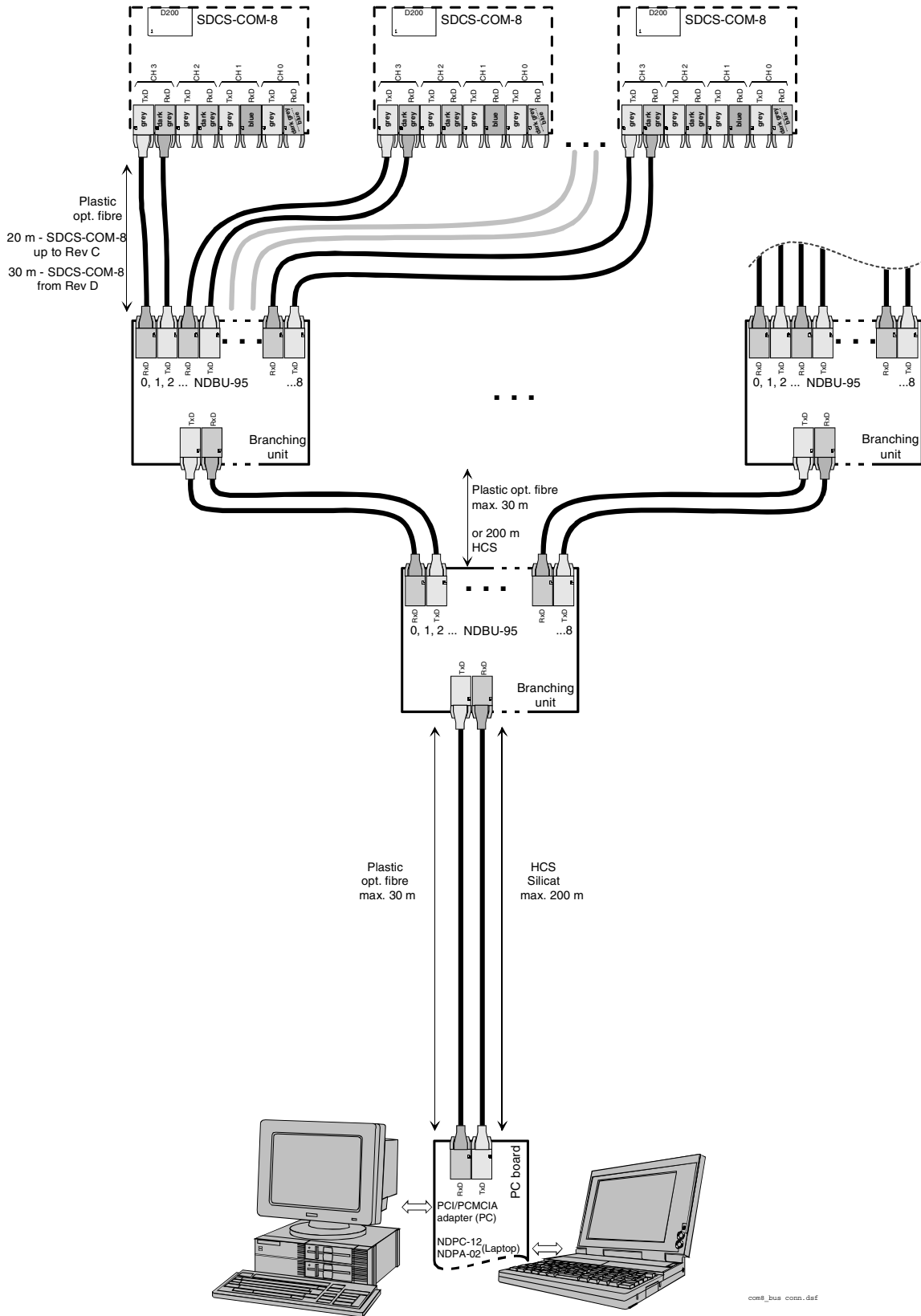
### Ch0 Connections to higher-level system (Nxxx communication modules)



### Ch3 Ring connections to PC tool DriveWindow



### Ch3 Star connections to PC tool DriveWindow



com8\_bus conn. dsf

3ADW000194Z0201\_Rev B  
07\_2006

---

**ABB Automation Products GmbH**

Wallstadter Straße 59  
68526 Ladenburg • GERMANY  
Telefon: +49(0)6203-71-70  
Telefax: +49(0)6203-71-7609  
[www.abb.com/dc](http://www.abb.com/dc)



\*194Z0201A6300000\*