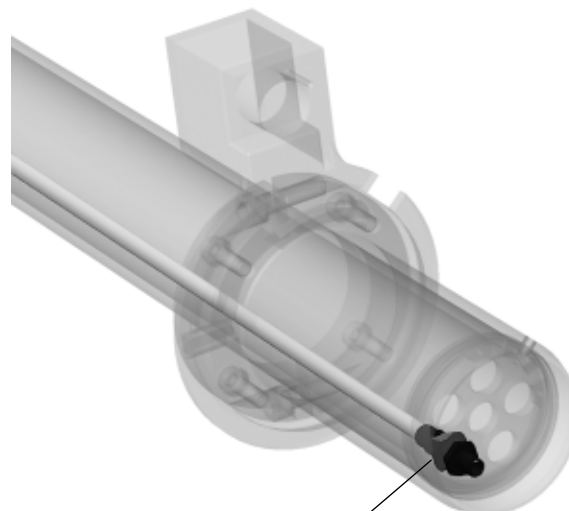


5 Pneumatic Components

5.1 For Automatic Connection

Air components for	With Tube size Ø8 mm Part No.	With Tube size Ø10 mm Part No.
Spider for 2 Cups	9936282	91107021
Spider for 3 Cups	9936283	91107023
Spider for 4 Cups	9936284	91107024
Spider for 5 Cups	9936285	91107025
Spider for 6 Cups	9936286	91107026
Spider for 7 Cups	9936287	91107027
Spider for 8 Cups	9936288	91107028



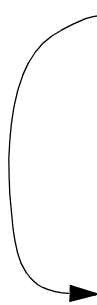
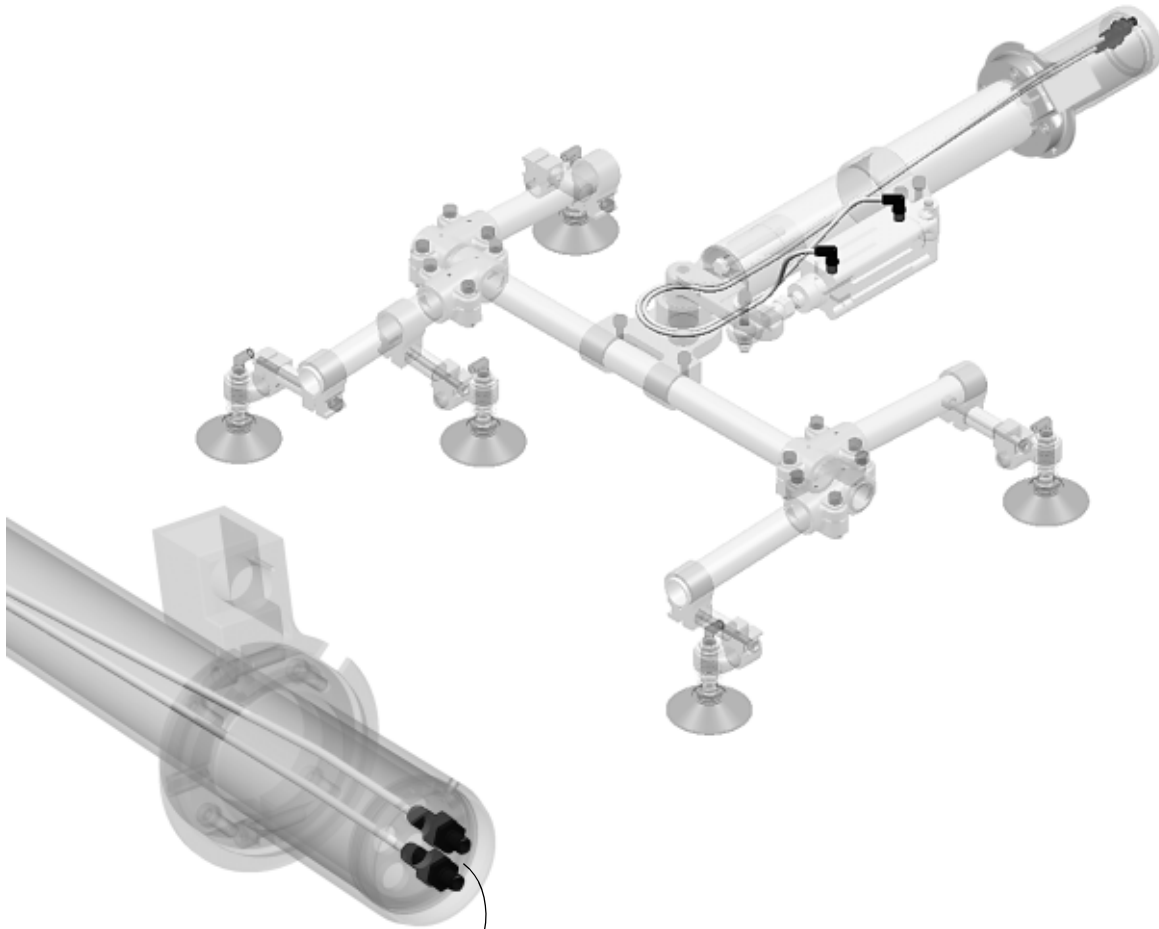
Air Quick Connector PLC 400-M10 Male.
Part No. 3045075. Mount in Hole No. 1.



Filename: Kap5.fm, Mod date: 2005 04 07

5.2 Pneumatic Components

Air Components for Turn or Tipping Unit



Air Components for Turn & Tipping unit complete	91104666 for 3 x 8 + 2 x 10 mm tubes	91110793 for 5 x 10 mm tubes
Tube Ø	8 mm	10 mm
Part number for Air Quick Connector	3045840	3045075
Mount in holes	4 and 5	
For Quick Change Adapter, see page 2	91108510 91111220 91110796	91110794 91110795 91110797

Filename: Kap5.fm, Mod date: 2005 04 07


6.34 Pneumatic connectors for air pressure and vacuum

<p>Type: Splicing Connector 10 mm Part number: 91207226 Material: Plastic Tube: Ø10 mm.</p>	
<p>Type: Air Quick Connector PLC 400-M8 Male Part number: 3045840 Material: Plastic Tube: Ø8 mm.</p>	
<p>Type: Air Quick Connector PLC 400-M10 Male Part number: 3045075 Material: Plastic Tube: Ø10 mm.</p>	
<p>Type: L-Connector 8 mm -1/8" Part number: 3049183 Material: Plastic Tube: 1/8" - Ø8 mm.</p>	
<p>Type: L-Connector 6 mm -1/4" Part number: 3046066 Material: Plastic Tube: 1/4" - Ø6 mm.</p>	
<p>Type: L-Connector 8 mm -1/4" Part number: 3045896 Material: Plastic Tube: 1/4" - Ø8 mm.</p>	
<p>Type: L-Connector 10 mm -1/4" Part number: 91200543 Material: Plastic Tube: 1/4" - Ø10 mm.</p>	
<p>Type: Y-Connector 6 mm Part number: 91204974 Material: Plastic Tube: Ø6 mm.</p>	
<p>Type: Y-Connector 8 mm Part number: 91204160 Material: Plastic Tube: Ø8 mm.</p>	
<p>Type: Y-Connector 10 mm Part number: 3049182 Material: Plastic Tube: Ø10 mm.</p>	
<p>Type: Y-Connector 8 mm Part number: 3046064 Material: Plastic Tube: Ø8 - 6 mm.</p>	
<p>Type: Y-Connector 10 mm Part number: 91202392 Material: Plastic Tube: Ø10 - 8 mm.</p>	
<p>Type: T-Connector 8 mm Part number: 91207328 Material: Plastic Tube: Ø8 mm.</p>	
<p>Type: T-Connector 10 mm Part number: 3046065 Material: Plastic Tube: Ø10 mm.</p>	


Filename: Kap6.fm, Mod date: 2005 04 07

<p>Type: Distributor 1-4 8-6 mm Part number: 3046070 Material: Plastic Tube: Ø6 - Ø8 mm.</p>	
<p>Type: Shut-off Valve 8 mm Part number: 3045897 Material: Plastic Tube: Ø8 mm.</p> <p>Type: Shut-off Valve 10 mm Part number: 91207234 Material: Plastic Tube: Ø10 mm.</p>	
<p>Type: L-connector Slip-in Sleeve 10-10 mm Part number: 3048077 Material: Plastic Tube: Ø10 - Ø10 mm.</p> <p>Type: L-connector Slip-in Sleeve 10-8 mm Part number: 3046071 Material: Plastic Tube: Ø8 - Ø10 mm.</p>	
<p>Type: Plug 6 mm Part number: 3046068 Material: Plastic Tube: Ø6 mm.</p> <p>Type: Plug 8 mm Part number: 3046069 Material: Plastic Tube: Ø8 mm.</p> <p>Type: Plug 10 mm Part number: 3047019 Material: Plastic Tube: Ø10 mm.</p>	
<p>Type: Splicing Connector Slip-in Sleeve 6 mm Part number: 91207227 Material: Plastic Tube: Ø6 - Ø8 mm</p>	
<p>Type: Splicing Connector Slip-in Sleeve 8 mm Part number: 91207228 Material: Plastic Tube: Ø8 - Ø10 mm</p>	
<p>Type: Push-in Sleeve 8 mm Part number: 91207229 Material: Plastic Tube: Ø8 mm</p> <p>Type: Push-in Sleeve 10 mm Part number: 91207230 Material: Plastic Tube: Ø10 mm</p>	

Filename: Kap6.fm, Mod date: 2005 04 07

Type: Push-in fitting G1/8 - 8 Part number: 91204069 Material: PBT reinforced Tube: Ø8 mm Thread: 1/8"	
Type: Push-in fitting G3/8 - 8 Part number: 91207662 Material: PBT reinforced Tube: Ø8 mm Thread: 3/8"	
Type: Push-in fitting G3/8 - 10 Part number: 91205003 Material: PBT reinforced Tube: Ø10 mm Thread: 3/8"	

Tubes for air pressure and vacuum

Size	Part number	
6 mm x 1 mm	3046072	
8 mm x 1,25 mm	3045898	
10 mm x 1,5 mm	3045899	