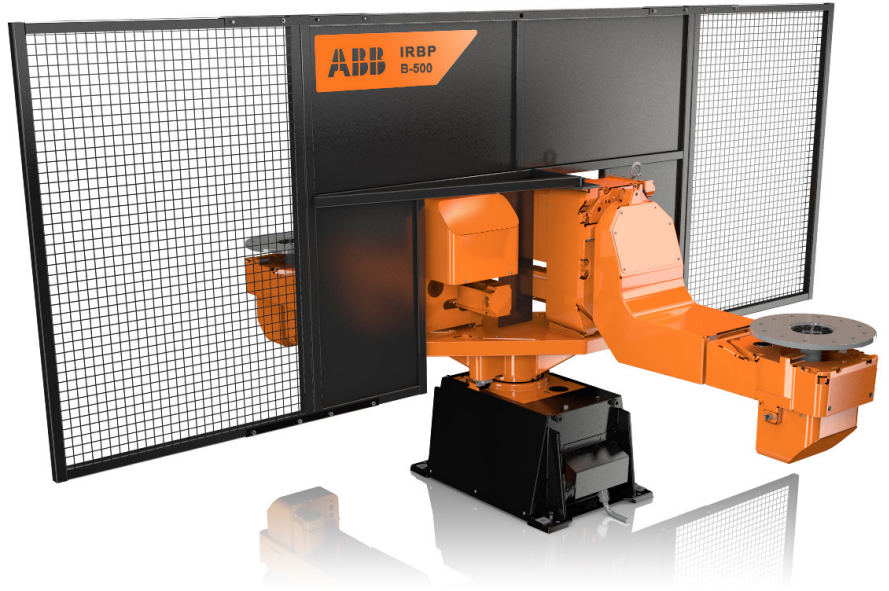


IRBP B Positioner

The ABB positioners are optimized to be used for manipulating of work pieces in arc welding, thermal cutting and other applications. All axes can be fully coordinated with the robot when programming as well as during operation.



IRBP B

This positioner features a twin station solution where the robot works on one side and the operator loads and unloads on the other side. A screen is fitted between the two stations, which protects the operator from arc-eye.

The IRBP B positioner is ideal for workpieces that have to be rotated around two axes to reach the optimal process position.

The positioner IRBP B, which comes in three variants, is designed to handle workpieces including fixture of a weight up to 750 kg.

The modular design, few and heavy-duty moving parts as well as minimal maintenance demands make the positioner service friendly.

Dynamically adaptive software plus high speed drives result in fast changeovers and high productivity.

General positioner features

All ABB positioners offer users a complete and efficient solution. They are of a robust design to ensure excellent stability and are well protected for operation in harsh production environments. All positioners can be combined with any ABB six axes robots except the small IRB 120.

The positioners are easy to use with clear, simple instructions for programming. The control equipment is located in the robot controller and uses the same drive system and software as the robots.

ABB's positioners are designed to be highly functional yet compact to make maximum use of available floor space. Standardised dimensions for all rotating plates greatly simplify the exchange of fixtures.

Dynamic modelling allows rapid acceleration, fast movements and re-orientation so that cycle times are kept to a minimum. The dynamic model automatically compensates for the effects of gravity, inertia and friction to provide fast movements (QuickMove™) and accurate following of the programmed path (TrueMove™).

The Load ID-function is used to calculate the centre of gravity and the inertia of the workpiece and of the fixture.

To meet requirements from our users the positioners can be supplied, or retrofitted, with a comprehensive range of pneumatic swivels (1 and 2 channels) and slip-rings (10 power signals and ProfiBus).

ABB positioner systems can be supplied with all necessary safety equipment.

IRBP B

Specification

Variants		B-250	B-500	B-750			
Handling capacity/side	kg	250	500	750			
Max load diff. sides 1 and 2	kg	175	250	250			
Index time	s	3.4 - 3.8	3.5 - 3.7	3.5 - 3.7			
Weld to weld time	s	5.2 - 5.6	5.8 - 6.0	5.8 - 6.0			
Repetitive accuracy (r=500)	mm	+/-0.05	+/-0.05	+/-0.05			
		Axis 1	Axis 2	Axis 1	Axis 2	Axis 1	Axis 2
Max rotation speed	°/s	150	180	90	150	90	150

Measurements	A	øB	C	D	E	F	øI
B-250	900	683	900	1786	2000	3040	1100 1180
B-500	1000	1450	900	2620	2000	4132	
B-750	1000	1450	900	2620	2000	4132	

For complementary information, please see the product specification.
ABB reserves the right to change data without notice.

