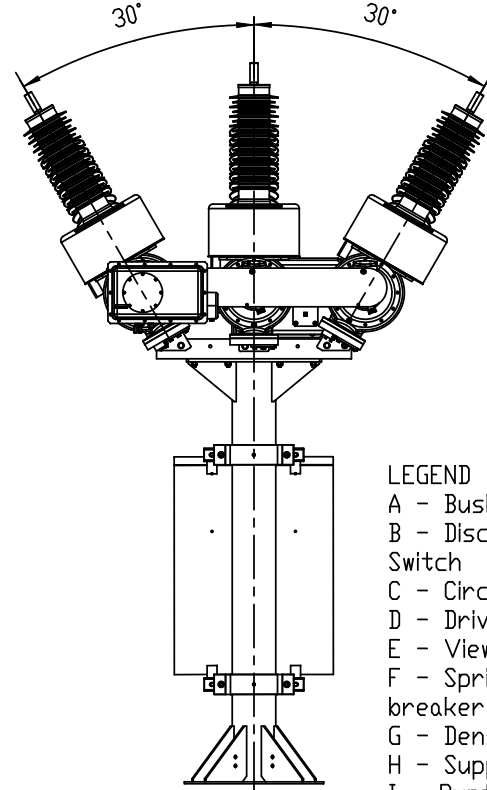
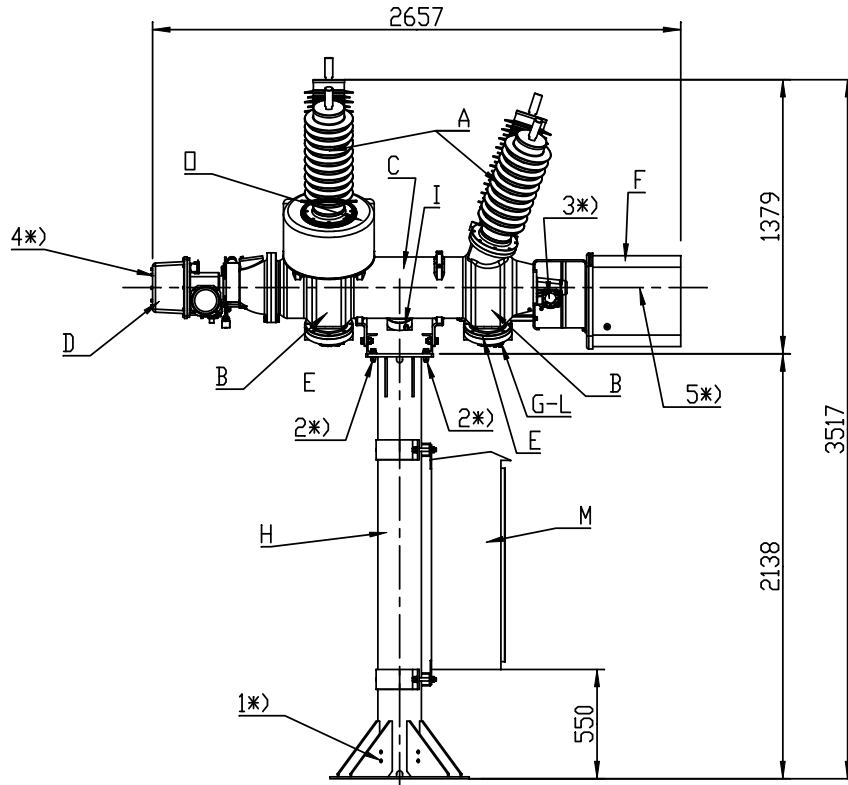
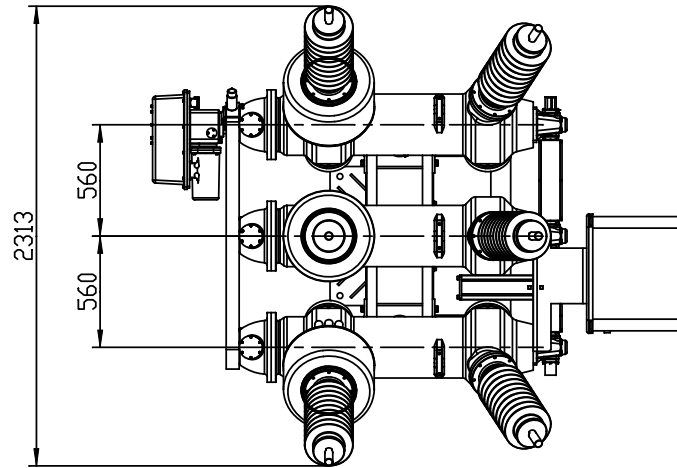


This document is issued by means of a computerized system. The electronically stored original is electronically approved. The electronically approved document has a date entered in the header. A signature is not required.



LEGEND

- A - Bushing
- B - Disconnecter+ Earthing Switch
- C - Circuit Breaker
- D - Drive for B
- E - View port
- F - Spring drive circuit breaker
- G - Density monitor
- H - Support structure
- I - Rupture disc
- L - Gas connection Dilo DN8
- M - Control cubicle
- - Current transformer
- 1*) Connection to earth
- 2*) Fixation holes
- 3*) Position indication
- 4*) Position indication
- 5*) Action line



The information contained in this document has to kept strictly confidential. Any unauthorized use, reproduction, distribution or disclosure to third parties are strictly forbidden. ABB reserves all rights regarding Intellectual Property Rights.
Copyright 2000 ABB Technology Ltd. All rights reserved.

Prepared 17-12-10 GG	Responsible department	Title PASS M00 SBB 40kA	Sheet no. 1
Modified by	Take over department		
Approved by	Used in product	Order 2GJA310333	No. Shcs. (1)
Revision			
ABB Technology		Document no.	