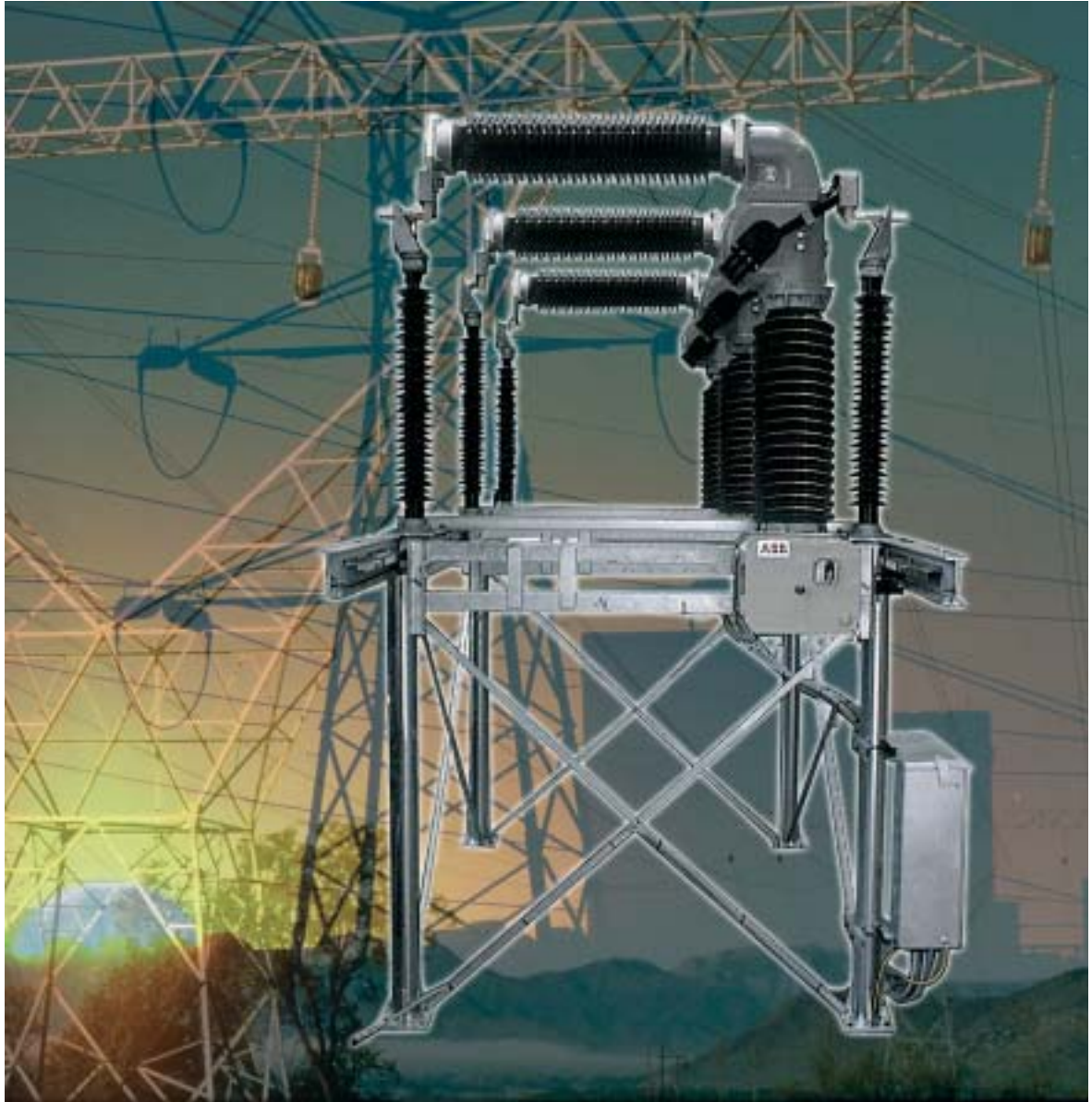


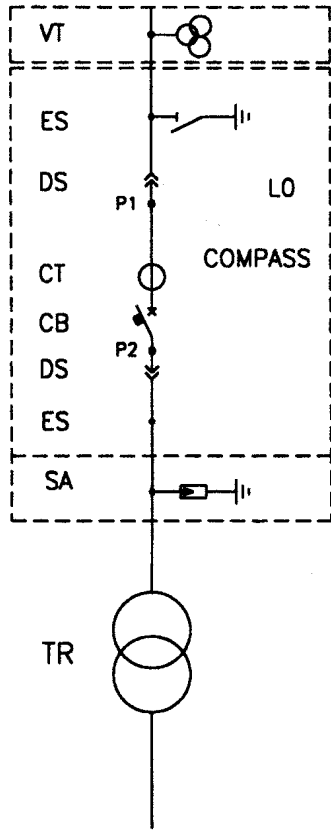
COMPASS

Solutions for High Voltage Substations



ABB

ES 1 TC



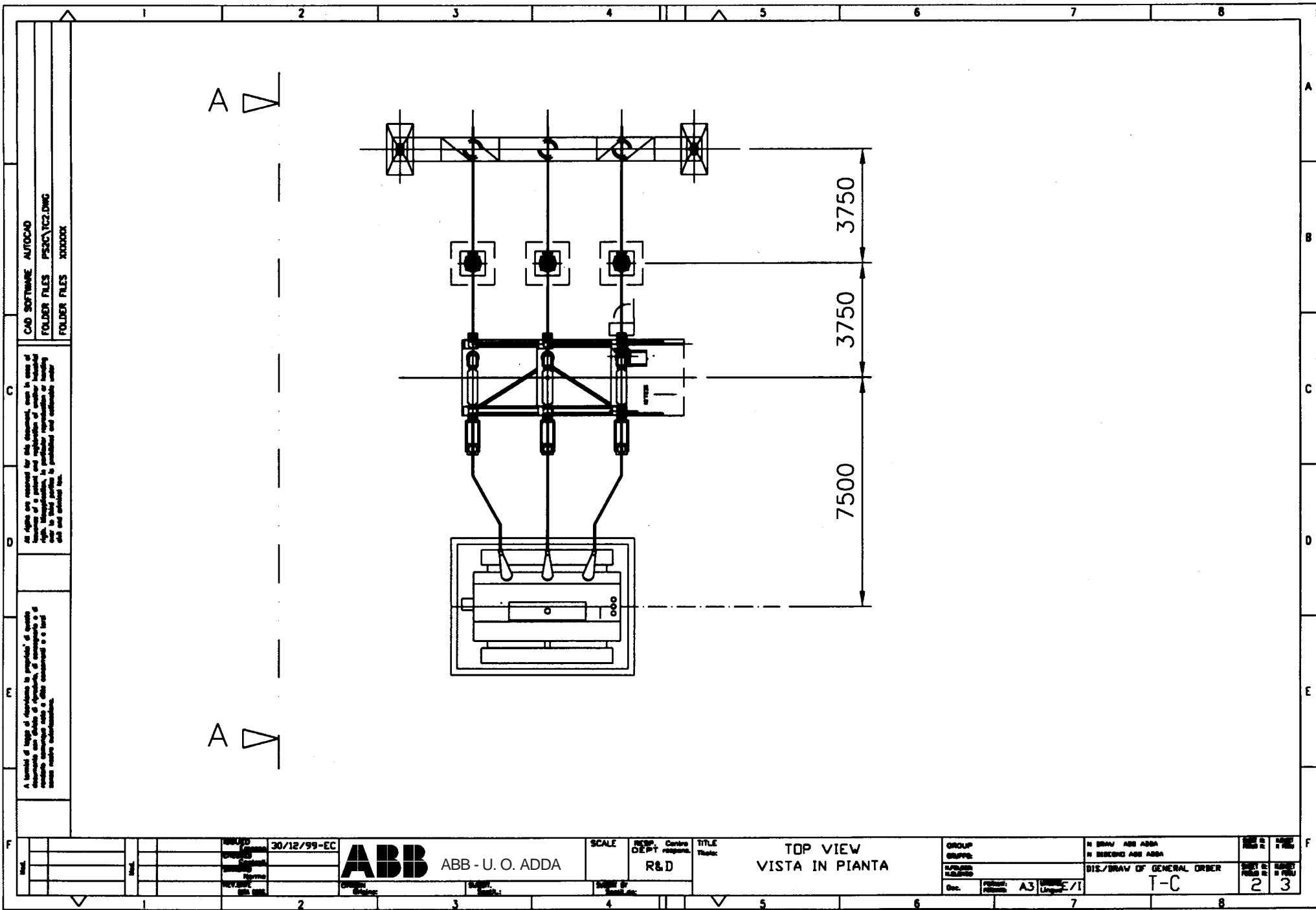
LEGENDA		LEGENO	
	CB	CIRCUIT BREAKER-INTERRUTTORE	
	DS	DISCONNECTOR - SEZIONATORE	
	ES	EARTHING SWITCH-SEZIONATORE DI M.A.T.	
	SA	SURGE ARRESTER-SCARICATORE	
COMPASS			
ϕ	CT	CURRENT TRANSFORMER-TRASFORMATORE DI CORRENTE	
	VT	VOLTAGE TRANSFORMER-TRASFORMATORE DI TENSIONE	
	TR	POWER TRANSFORMER-TRASFORMATORE DI POTENZA	

CAD software: AutoCAD 14
 FOLDER FILE: PSCVT-C.DWG
 Date: 30/12/99

All rights are reserved for this document, even in case of
 license of a patent and violation of another lawfully right.
 Reproduction, in particular reproduction or lending, even by
 word parties is prohibited and actionable under law and
 Criminal law.

A livello di legge di riferimento la proprietà di questo
 documento con relativi diritti di riproduzione e di
 ristampa compete alla ABB e alla consociata o a terzi sotto
 loro firma autorizzatrice.

30/12/99 EC	ABB ABB - U. O. ADDA	Gruppo: R&D	Titolo: SCHEMA UNIFILARE SINGLE-LINE DIAGRAM	GRUPPO: ABB ADDA SHEETS	Format: A3	Language: I/E	T-C	Page 1 of 3	SHEET 1 of 3
-------------	-----------------------------	-------------	---	----------------------------	------------	---------------	-----	-------------	--------------

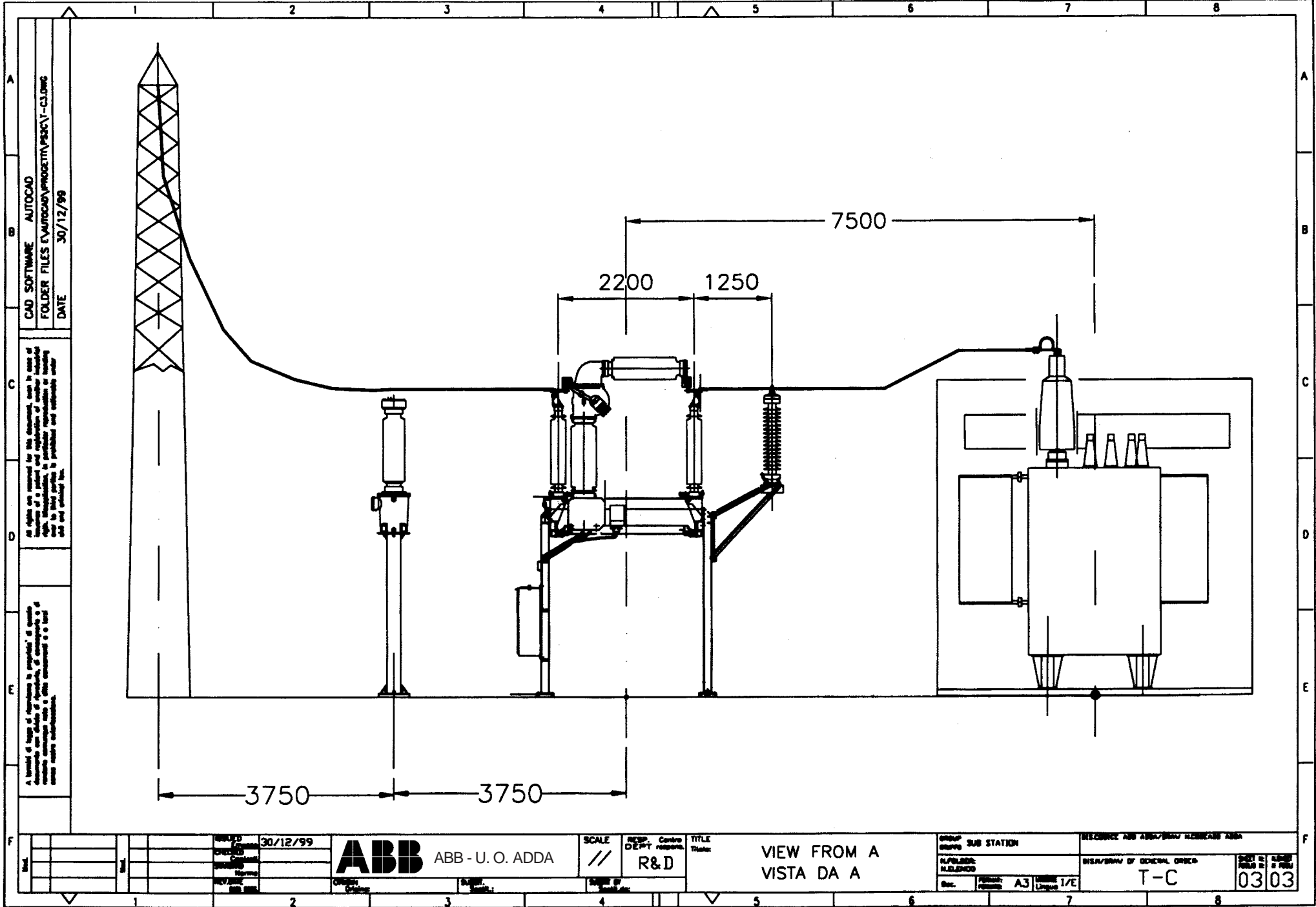


CAD SOFTWARE AUTOCAD
 FOLDER FILES P520\TCL.DWG
 FOLDER FILES XXXXXX

All files are reserved for the department, use in case of
 hardware or software changes, use in case of
 high maintenance, in particular reproduction or transfer
 use in their profiles is prohibited and punishable under
 law and criminal law.

A limited set of drawings is provided, if specific
 components are made of separate, if components of
 various materials with a clear distinction to a part
 from another sub-assembly.

REV.	NO.	DATE	DESCRIPTION	SCALE	RESP. DEPT.	Carrito component.	TITLE	GROUP	N. BRAN.	ABB ADDA	REV. N.	REV. T.
		30/12/99-EC			R&D		TOP VIEW VISTA IN PIANTA		N. BRANCO	ABB ADDA	2	3
								DIS./DRAW OF GENERAL ORDER	T-C			
								Doc. A3				



CAD SOFTWARE AUTOCAD
 FOLDER FILES E:\AUTOCAD\PROGETTI\PS3C\1-C3.DWG
 DATE 30/12/99

All rights are reserved for this document, and its use is limited to the project and realization of similar technical high-voltage equipment. In particular, reproduction or transfer of this document to third parties is prohibited and constitutes a criminal offence.

A limited liability company is provided. All technical documents are subject to the conditions of copyright and the author's moral rights. All other reserved rights are reserved.

DATE 30/12/99

ABB ABB - U. O. ADDA

SCALE // RESP. DEPT. R&D

TITLE VIEW FROM A VISTA DA A

GROUP SUB STATION
 ALFABETICO
 ALFABETICO
 Rev. A3 1/E

REVISIONI ABB ABB/BBW/BBWB/BBW/BBW
 DISA/BBW/OF GENERAL OFFICE
 T-C
 03 03

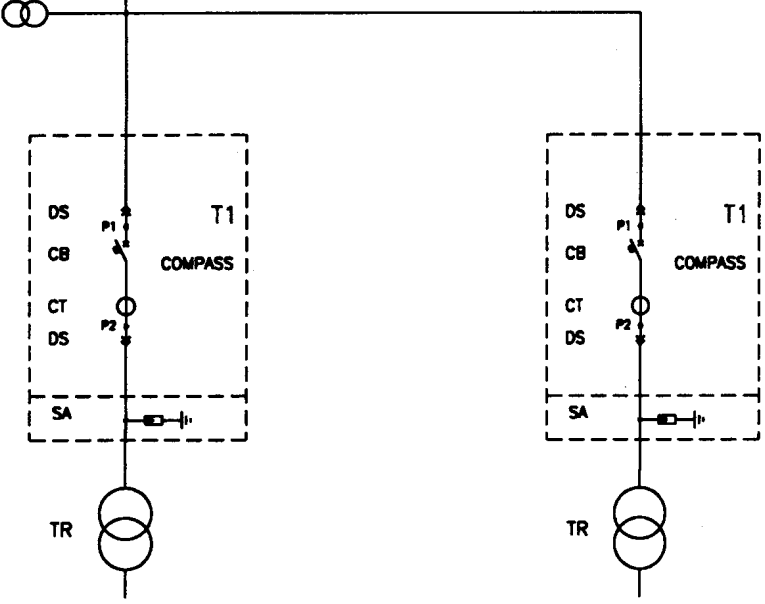
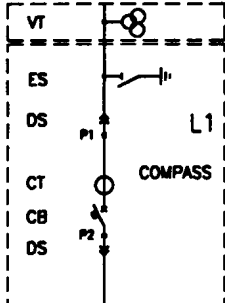
ES 2 H-C3

A
B
C
D
E
F

CAD software: AutoCAD
FOLDER FILE: PS3CVH-C3\1.DWG
Date: 30/12/99

All rights are reserved for this document, even in case of license of a patent and reproduction of another licensed right. Reproduction, in particular, reproduction or handling for any other purpose is prohibited and actionable under civil and criminal law.

A. Istituzioni di legge di riproduzione in proprietà di questo documento con riserva di riproduzione di copyright e di tutti i diritti connessi e di altri concorrenti e di tutti i diritti connessi.



LEGENDA		LEGEND	
	CB	CIRCUIT BREAKER-INTERRUTTORE	
	DS	DISCONNECTOR - SEZIONATORE	
	ES	EARTHING SWITCH-SEZIONATORE DI M.A.T.	
	SA	SURGE ARRESTER-SCARICATORE	
COMPASS			
	CT	CURRENT TRANSFORMER-TRASFORMATORE DI CORRENTE	
	VT	VOLTAGE TRANSFORMER-TRASFORMATORE DI TENSIONE	
	TR	POWER TRANSFORMER-TRASFORMATORE DI POTENZA	

A
B
C
D
E
F

30/12/99 EC			
-------------	--	--	--

ABB ABB - U. O. ADDA

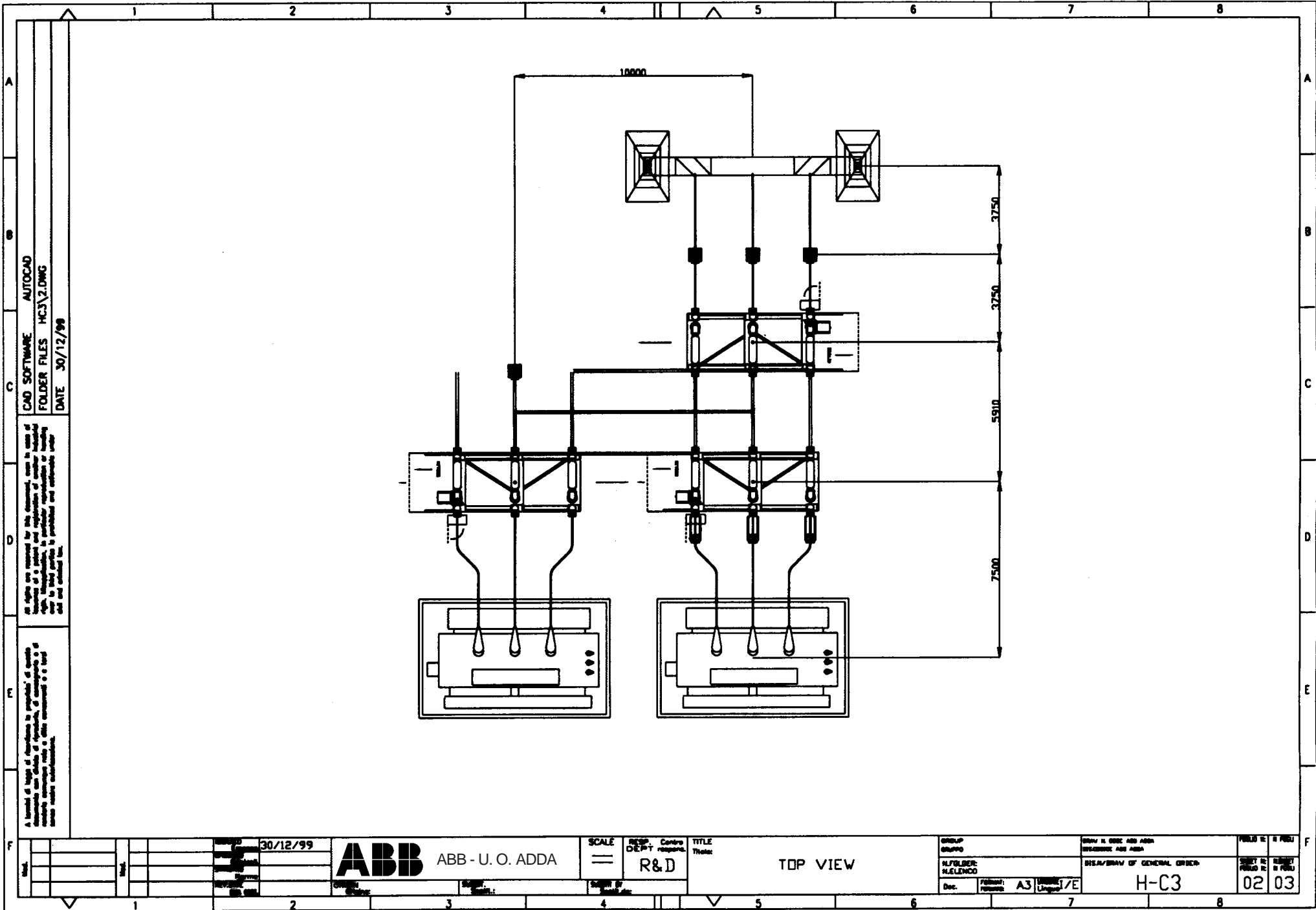
Centro Progr. R&D

Titolo: SCHEMA UNIFILARE SINGLE-LINE DIAGRAM

GRUPPO: SUE SWEDEN
ONE LINE DIAGRAM GENERAL
Doc. Ferret AS Lingua I/E

H-C3

1 3



CAD SOFTWARE AUTOCAD
 FOLDER FILES HC3\2.DWG
 DATE 30/12/99

All rights are reserved for this document, even in case of
 borrowing of a part and reproduction of another individual
 right. Reproduction, in particular reproduction or handling
 and distribution, is prohibited and constitutes a crime.

A limited liability of responsibility is provided for specific
 elements and details of drawings, of components or of
 materials mentioned in a data sheet or in a list
 and in other documents.

30/12/99

ABB ABB - U. O. ADDA

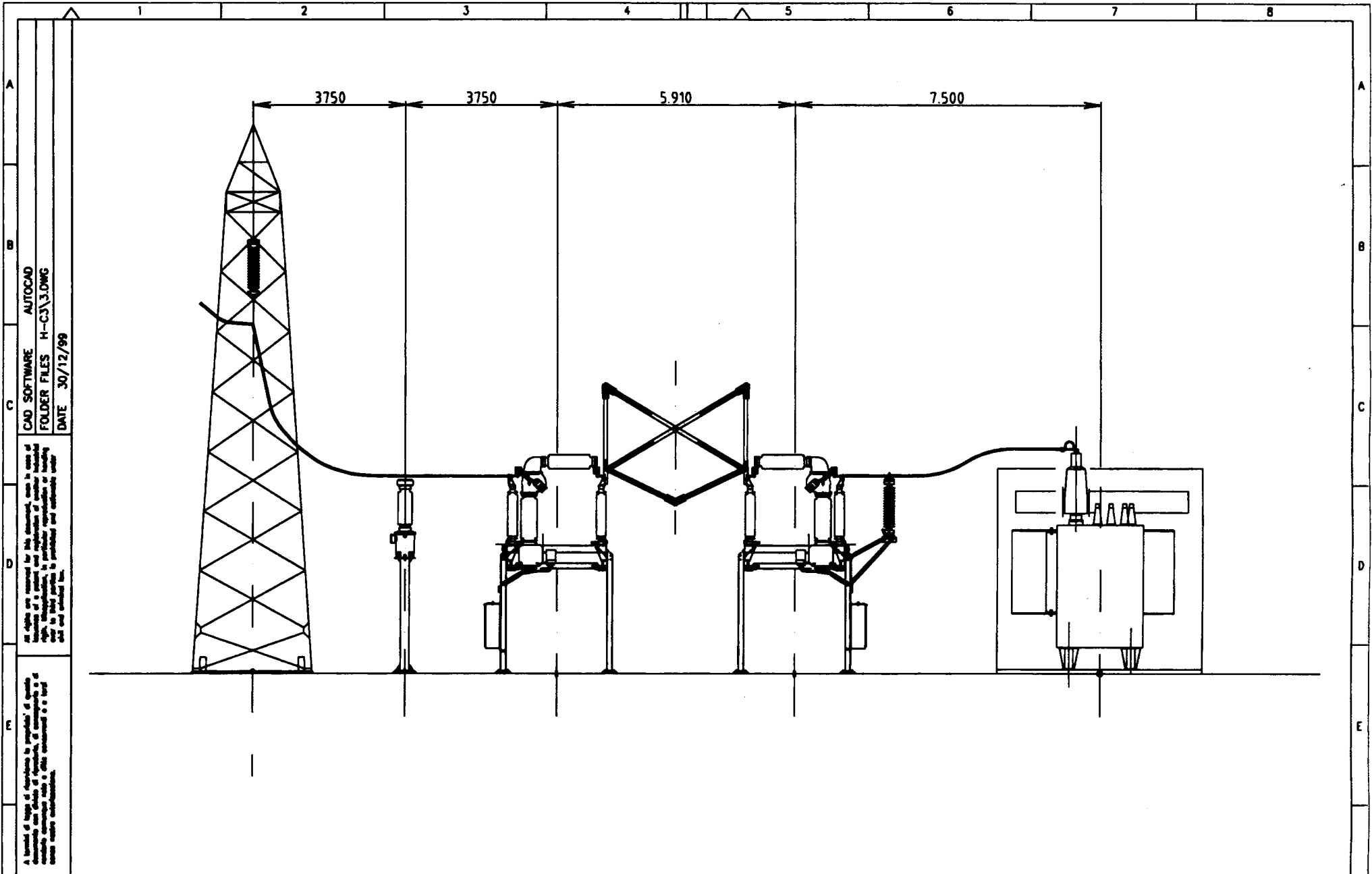
SCALE
 RESP. DEPT. R&D

TITLE
 TOP VIEW

GROUP
 N°/FOLDER: A3
 Dec. / Drawing: /E

DESIGNER/DRAWN BY GENERAL OFFICE
 H-C3

SHEET N° 02
 OF 03



CAD SOFTWARE AUTOCAD
 FOLDER FILES H-C3\3.DWG
 DATE 30/12/99

All rights are reserved for the document, such as use of
 portions of a patent and registration of similar technical
 high. Information, in particular reproduction or transfer
 and to third parties, is prohibited and punishable under
 the applicable law.

A limited liability of responsibility is provided for the quality of goods
 furnished and for the quality of services, if necessary, of the
 technical assistance and of the maintenance of the
 goods under maintenance.

REV.	1	X	X
2			
3			
4			

DATE	30/12/99
PROJECT	
DESCRIPTION	
REVISED	
BY	
DATE	

ABB ABB - U. O. ADDA

SCALE =

RESP. DEPT. R&D

TITLE: LATERAL VIEW

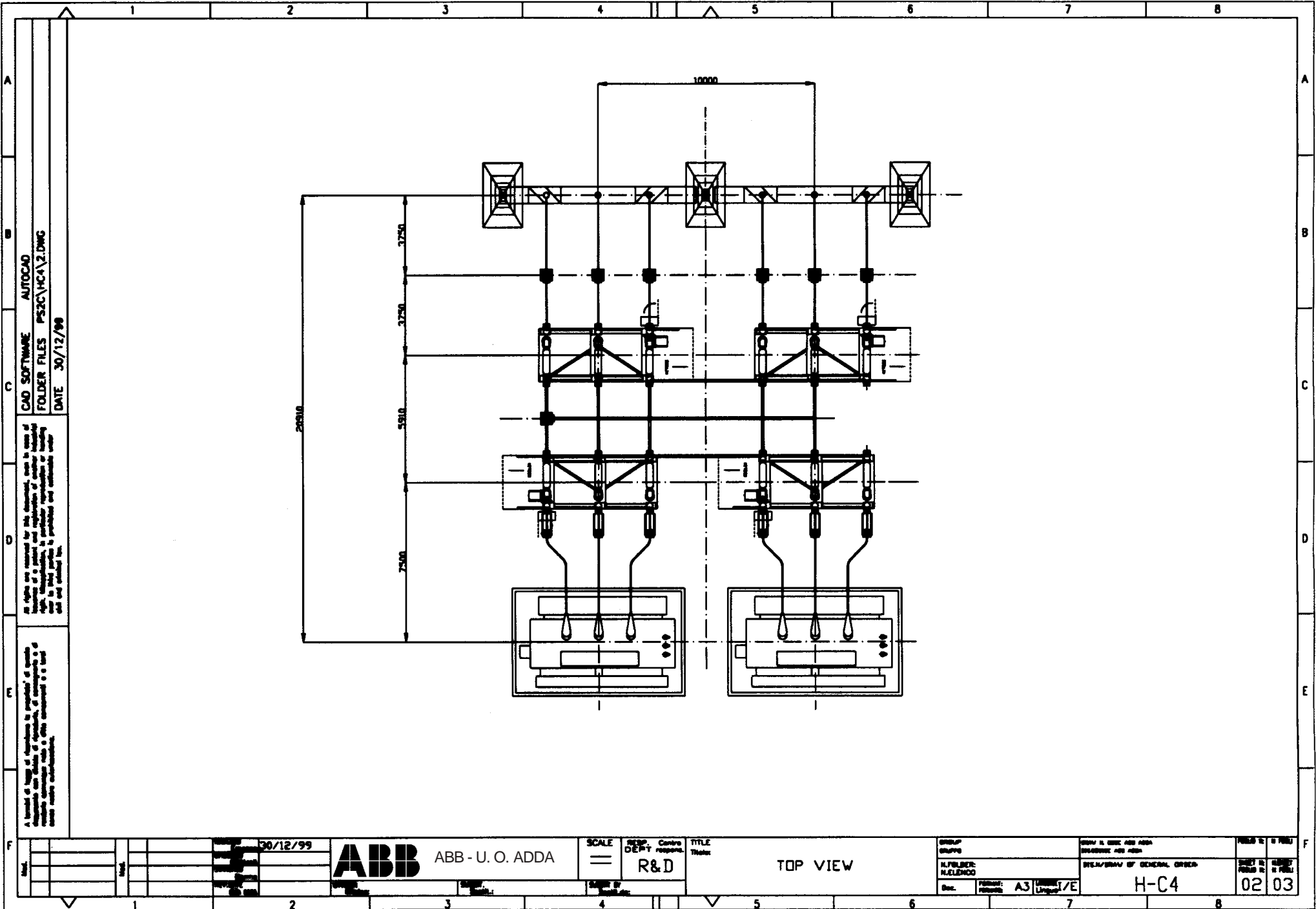
GROUP: GRUPPO

FILE FOLDER: FILELENCO

REV. 03

GROUP	GRUPPO	FILE FOLDER	FILELENCO
REV.	03	DATE	30/12/99
TITLE	LATERAL VIEW	SCALE	
PROJECT	H-C3	SHEET NO.	03
REV.		TOTAL SHEETS	03

ES 3 H-C4



CAD SOFTWARE AUTOCAD
 FOLDER FILES P52C\HCA\2.DWG
 DATE 30/12/99

All rights are reserved for this document, even in case of
 license of a patent and registration of another individual
 right. In particular, it is prohibited to reproduce or make
 any other use of the information contained in this
 document without the prior written consent of the
 author.

A brand of logo of "ABB" is property of "ABB"
 and is registered in the office of the
 industrial property of the state of
 the Republic of Italy.

30/12/99

ABB ABB - U. O. ADDA

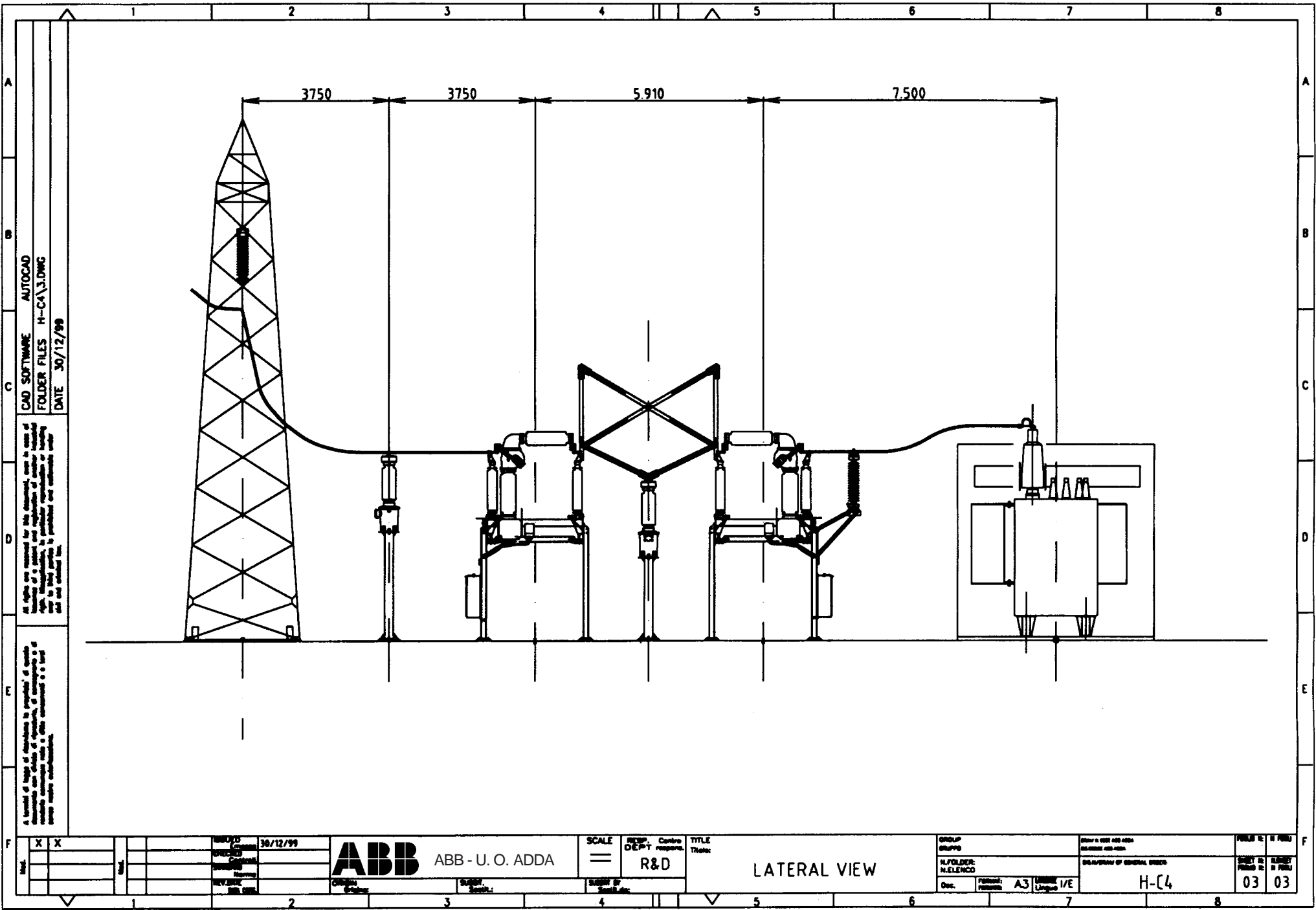
SCALE =
 RESP. DEPT. R&D
 Centro respons.

TITLE
 Top: TOP VIEW

GRUPPO
 GRUPPO
 ALFABETICO
 N.LENDO
 Doc.

GRUPPO ABB ADDA
 GRUPPO ABB ADDA
 STEL/BRVA OF GENERAL ORDER
 H-C4

FILE N. 02
 SHEET N. 03



CAD SOFTWARE AUTOCAD
 FOLDER FILES H-C4\3.DWG
 DATE 30/12/99

All rights are reserved for this document, use in case of
 infringement of a patent and violation of another technical
 right, reproduction, in particular reproduction or transfer
 for any purpose is prohibited and constitutes a
 criminal offence.

A limited liability of responsibility is accepted for errors
 and omissions in this document, of consequence of a
 technical nature only, to the extent of the
 contract.

REV.	1	DATE	30/12/99
REV.	2	DATE	
REV.	3	DATE	
REV.	4	DATE	

ABB ABB - U. O. ADDA
 Origin: ...
 Design: ...

SCALE =
 DESIGNED BY R&D
 CHECKED BY ...

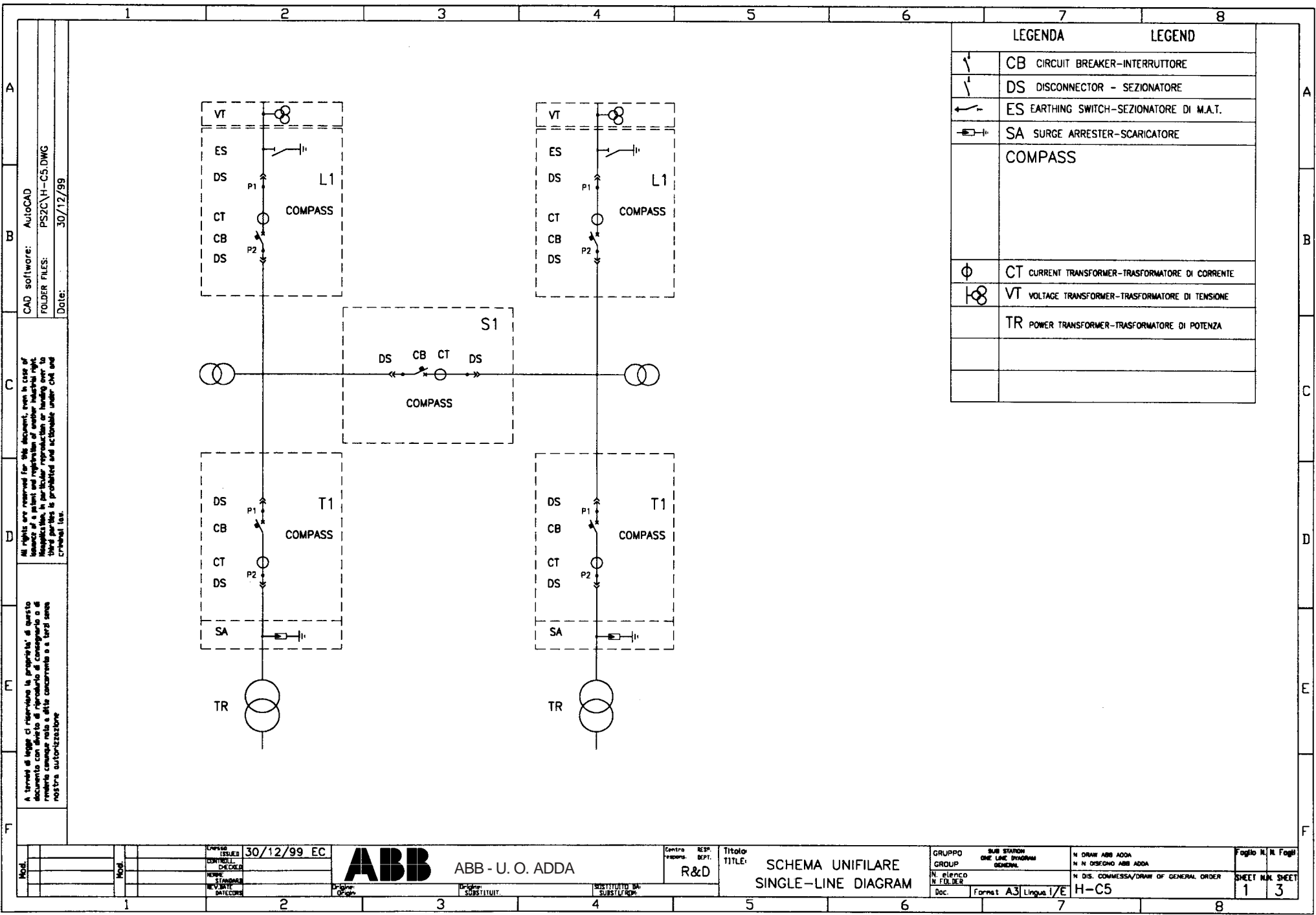
TITLE: LATERAL VIEW

GROUP: ...
 AL/FOLDER: N.ELENCO
 Dec. ...

GROUP: ...
 H-C4

FIGURE NO. 03
 OF FIGURE 03

ES 4 H-C5



LEGENDA		LEGEND	
	CB	CIRCUIT BREAKER-INTERRUTTORE	
	DS	DISCONNECTOR - SEZIONATORE	
	ES	EARTHING SWITCH-SEZIONATORE DI M.A.T.	
	SA	SURGE ARRESTER-SCARICATORE	
COMPASS			
	CT	CURRENT TRANSFORMER-TRASFORMATORE DI CORRENTE	
	VT	VOLTAGE TRANSFORMER-TRASFORMATORE DI TENSIONE	
	TR	POWER TRANSFORMER-TRASFORMATORE DI POTENZA	

CAD software: AutoCAD
 FOLDER FILES: PSZC\H-C5.DWG
 Date: 30/12/99

All rights are reserved for this document, even in case of license of a patent and registration of another industrial right. Reproduction, in particular reproduction or lending over to third parties is prohibited and actionable under civil and criminal law.

A tutela di legge ci riserviamo la proprietà di questo documento e qualsiasi riproduzione o ristampa senza il permesso scritto della nostra azienda è vietata e perseguibile.

Versione	30/12/99	EC
ISSUED		
CONTROLLED		
CHECKED		
NAME		
STAMPED		
N.° DATE		
DATE		



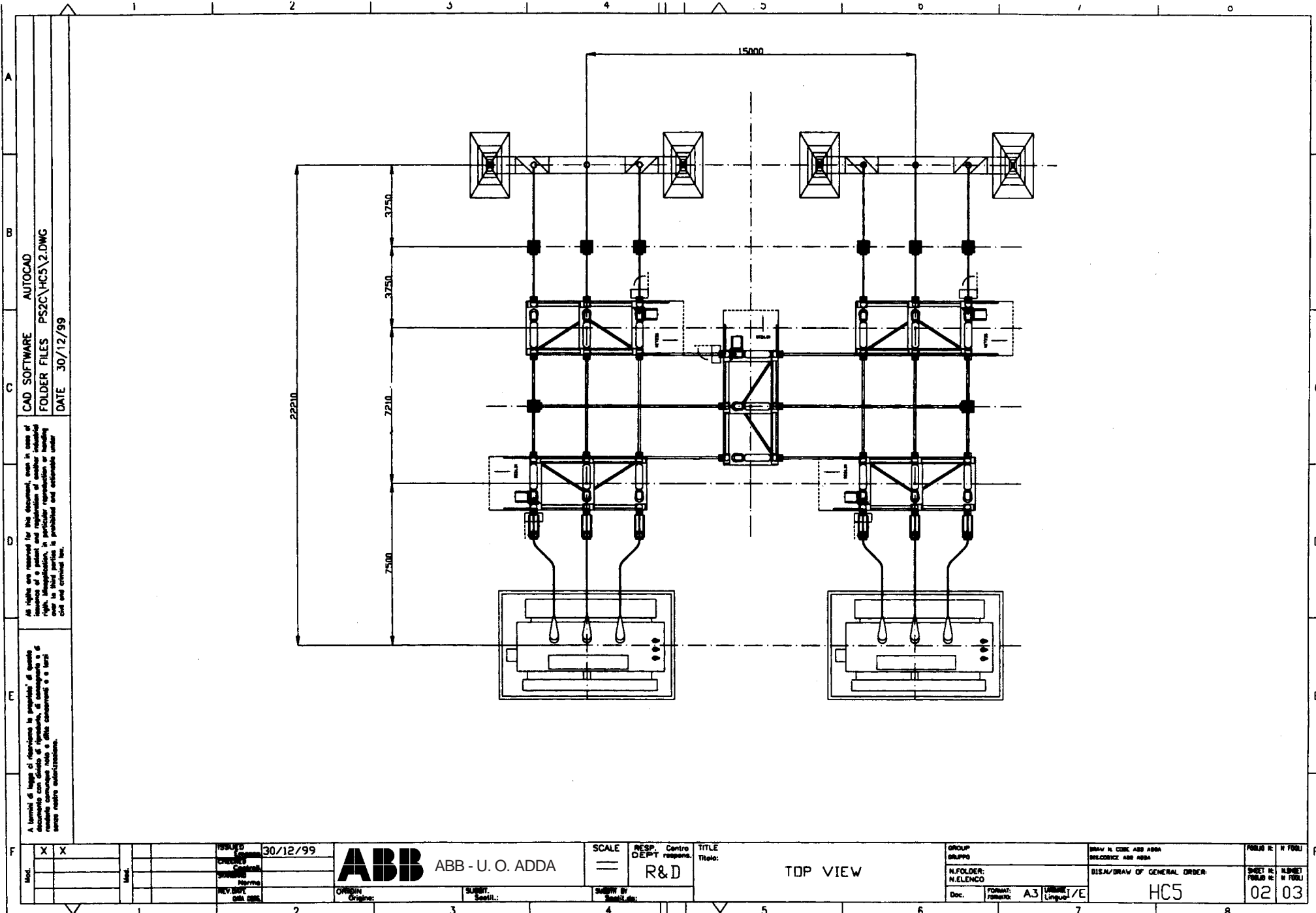
ABB - U. O. ADDA

Centro Resp. R&D
 DEPT.

Titolo: SCHEMA UNIFILARE
 SINGLE-LINE DIAGRAM

GRUPPO	SUB STATION	N. DRAW	ABB ADDA
GROUP	ONE LINE DIAGRAM	N. N. DISEGNO	ABB ADDA
N. elenco		N. DIS. COMMESSA/DRAW	OF GENERAL ORDER
N. FOLDER			
Doc.	Format A3	Lingua	I/E

Foglio N.	1	N. Fogli	3
SHEET N. N.	1	SHEET	3



CAD SOFTWARE AUTOCAD
 FOLDER FILES PS2C\HC5\2.DWG
 DATE 30/12/99

All rights are reserved for this document, even in case of
 issuance of a patent and reproduction of another individual
 right. Modification, in particular reproduction or handling
 for a third party, is prohibited and entails legal
 and criminal liability.

A tutti gli usi di riproduzione in qualsiasi forma
 documentata con qualsiasi mezzo elettronico o meccanico
 sono espressamente vietate e sono consentite solo
 quelle autorizzate.

Mod.	X	X	ISSUE	30/12/99
REV. 01			REV. 01	

ABB ABB - U. O. ADDA
 ORIGIN Original

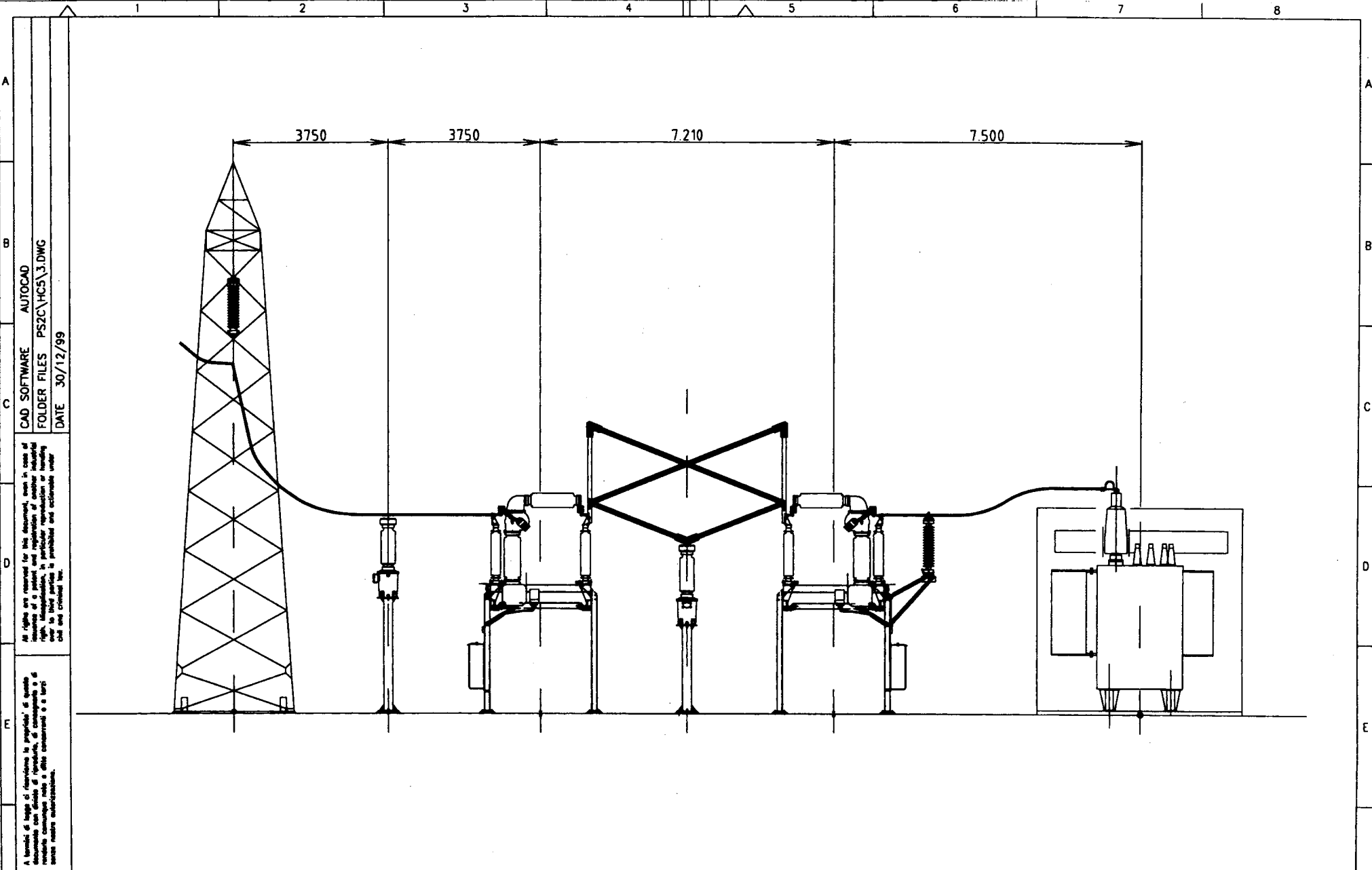
SCALE =
 RESP. DEPT. R&D
 SUBMIT. Scatell.
 SUBMIT BY Scatell.

TITLE
 Title: TOP VIEW

GROUP GRUPPO
 N.FOLDER: N.ELENCO
 Doc. FORMAT: A3
 LANGUAGE: Italiano

DRAW. N. CODE ABB ADDA
 DISA/DRAW OF GENERAL ORDER:
 HC5

PAGE NO. 02
 N. SHEET 03
 N. FOLDI 03



All rights are reserved for this document, even in case of license of a patent and registration of another industrial right. Reproduction, in particular representation or handling for advertising purposes, is prohibited and sanctioned under civil and criminal law.

A specific di legge di riferimento in proposito di questi documenti con titolo di riproduzione, di conseguenza il titolare conserva tutti i diritti riservati e si riserva la facoltà di ricorrere alle autorità competenti per far rispettare le sue prerogative.

Mod.	X	X

ISSUED	30/12/99
CHECKED	
STANDARD	
REVISED	
DATE	

ABB ABB - U. O. ADDA

SCALE =

RESP. DEPT. = R&D

TITLE = TOP VIEW

ORIGIN: Origin: SUBMIT: Sett.: SUBMIT BY: Sett.:

GRUPPO	
N. FOLDER:	
N. ELENCO	
Doc.	

FORMAT:	A3
LINGUA:	1/E

GROUP ID:	H F06U
SHEET NO:	03
SHEET TOTAL:	03

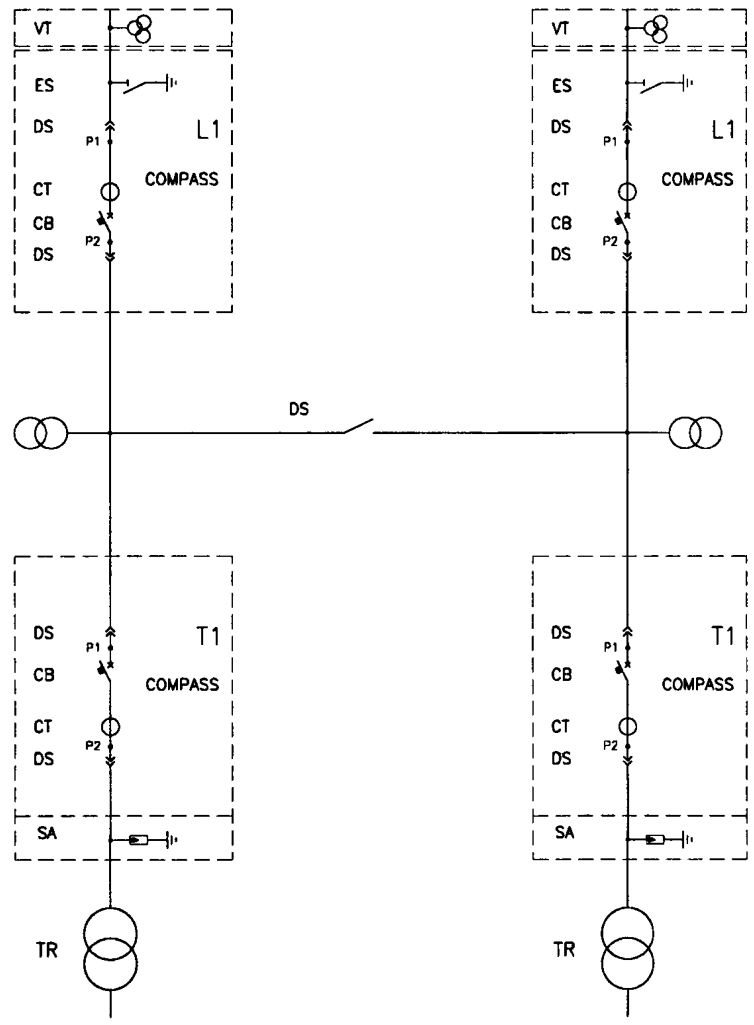
ES 5 H-C5-D

A
B
C
D
E
F

CAD software: AutoCAD
 FOLDER FILES: PSZCVH-C5-D\1.DWG
 Date: 30/12/99

All rights are reserved for this document, even in case of
 issuance of a patent and registration of another industrial right.
 Any reproduction, in particular reproduction or handling for
 third parties is prohibited and sanctioned under civil and
 criminal law.

A termini di legge ci riserviamo la proprietà di questo
 documento con effetto di riproduzione di copyright o di
 brevetto comunque non a ditte concorrenti o a terzi senza
 nostra autorizzazione

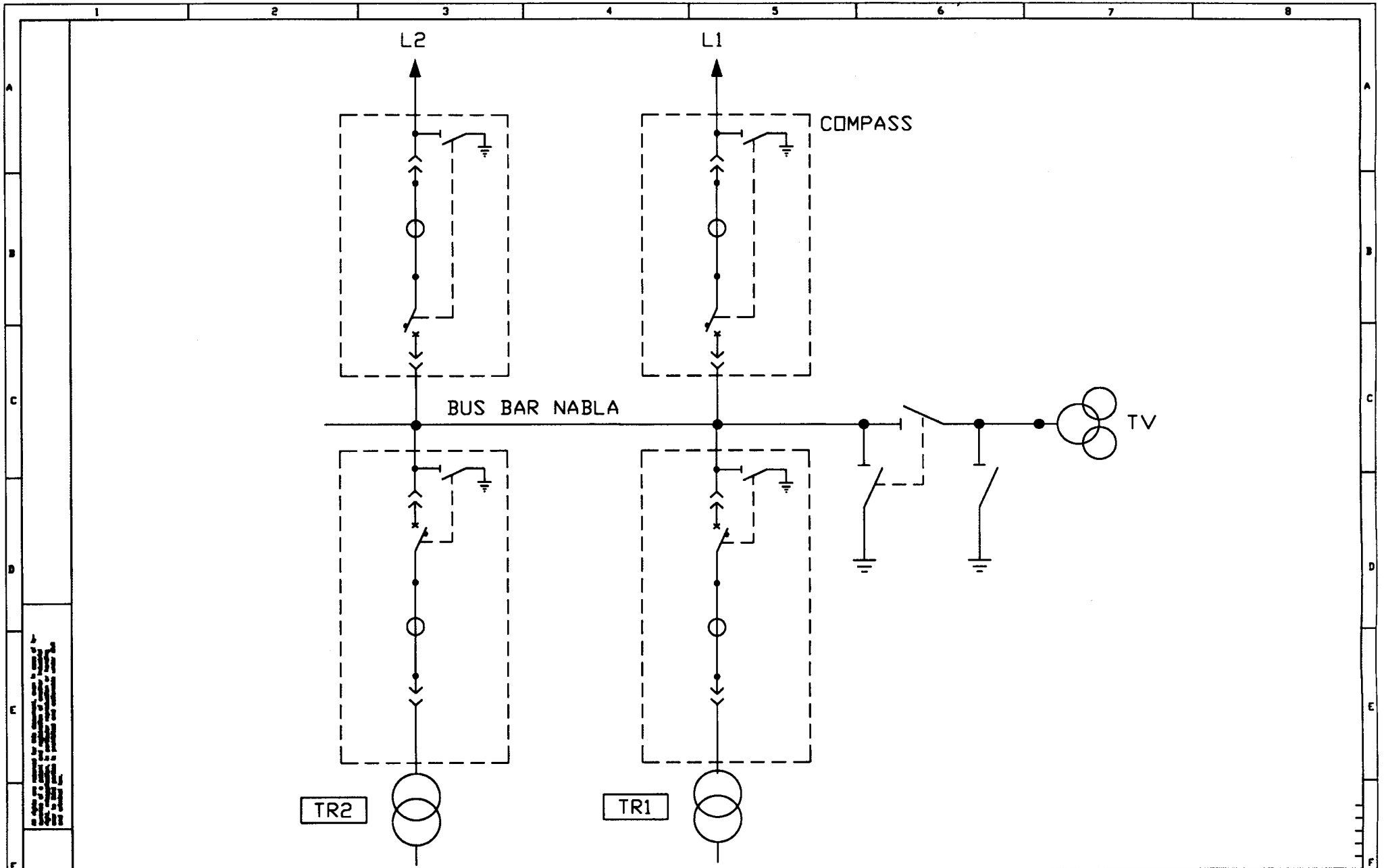


LEGENDA		LEGEND	
	CB	CIRCUIT BREAKER-INTERRUTTORE	
	DS	DISCONNECTOR - SEZIONATORE	
	ES	EARTHING SWITCH-SEZIONATORE DI M.A.T.	
	SA	SURGE ARRESTER-SCARICATORE	
COMPASS			
	CT	CURRENT TRANSFORMER-TRASFORMATORE DI CORRENTE	
	VT	VOLTAGE TRANSFORMER-TRASFORMATORE DI TENSIONE	
	TR	POWER TRANSFORMER-TRASFORMATORE DI POTENZA	
	PE	EARTHING CLAMP FIORETTO DI TERRA	

A
B
C
D
E
F

Mod.	Mod.	30/12/99 EC	ABB ABB - U. O. ADDA	Resp. R&D	TITOLO: SCHEMA UNIFILARE SINGLE-LINE DIAGRAM	GRUPPO: SUB STATION ONE LINE DIAGRAM GENERAL	N. DIS. COMMESSA/DRAW OF GENERAL ORDER: H-C5-D	Foglio 1 di 3
Disegnato	Disegnato	Disegnato	Disegnato	Disegnato	Disegnato	Disegnato	Disegnato	SHEET 1 of 3

1 2 3 4 5 6 7 8



1. Approved by: _____
 2. Checked by: _____
 3. Standard by: _____
 4. Released by: _____

Issued	02/12/98RC
Checked	
Standard	
Released	

ABB ABB - U.O. ADDA

Resp./
Dip. IR

TITLE: COMPASS
SINGLE LINE DIAGRAM

INDEX N°	
DOC.	FORMAT A3 LANG

SHEET N°	02	IN SHEET
----------	----	----------

1

2

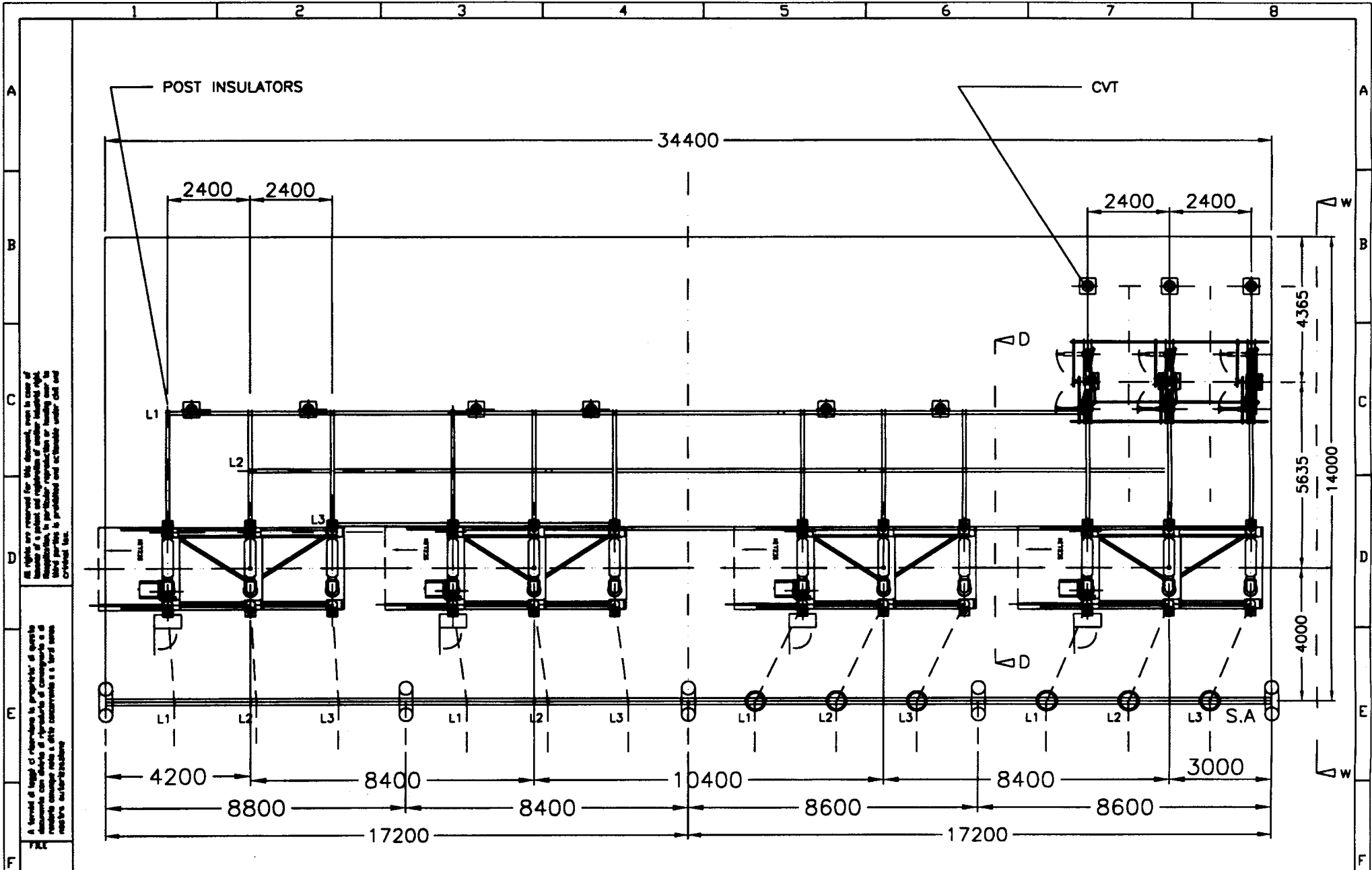
3

4

5

7

8

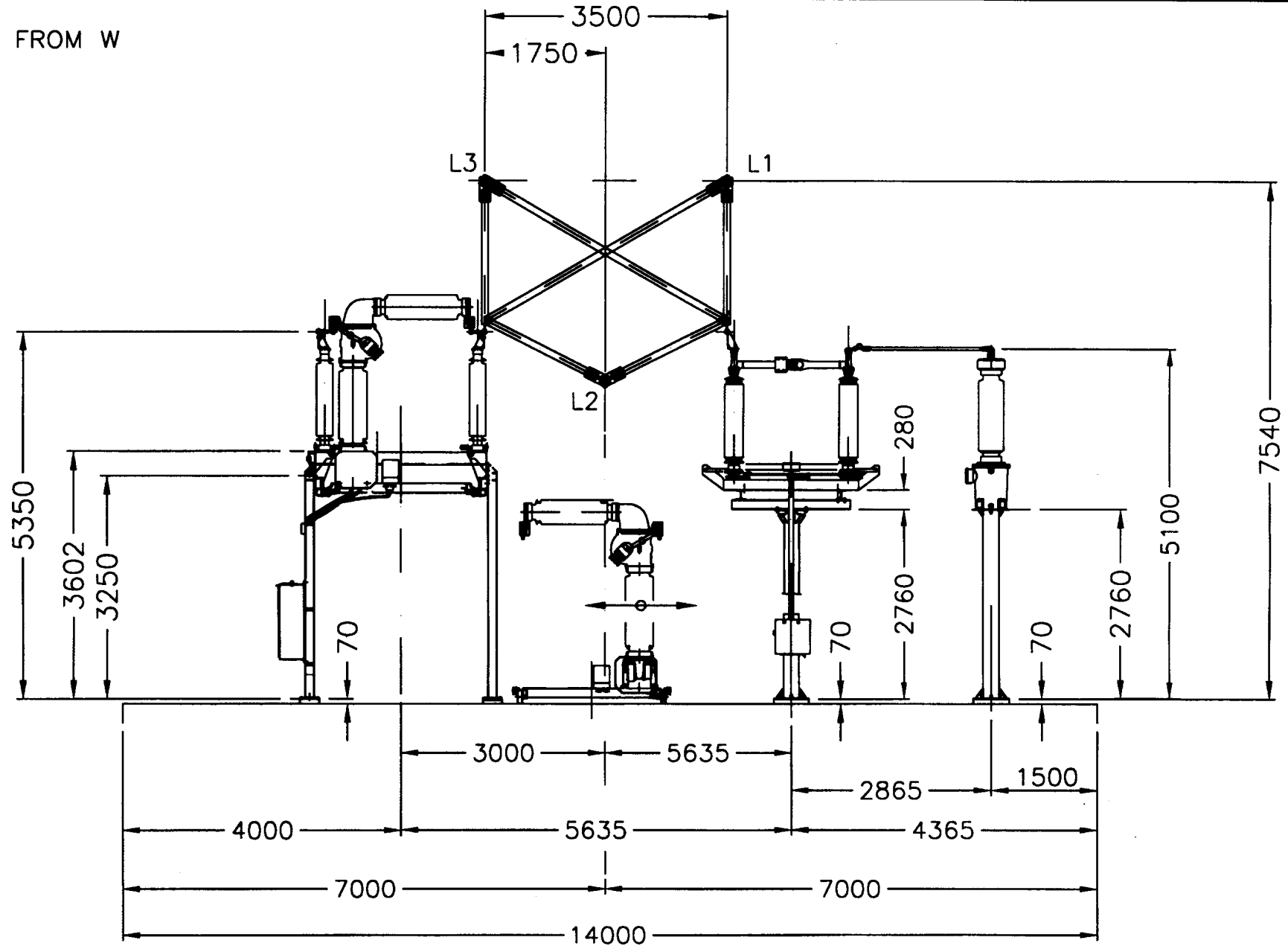


All rights are reserved for this document, even in case of
 license of a patent and reproduction of another technical right.
 Reproduction, in particular, is prohibited under penalty of
 criminal law.

A layout of length is dependent on the particular of each
 element and should be adapted to the particular of each
 element. The drawing is a schematic representation and is not
 to be used for construction.

Date: 02/12/98 RC		ABB ABB - U. O. ADDA		ITC	TITLE: COMPASS S/S TOP VIEW	LAYOUT	N. DIS/DIR:	Foglio 03 di 04	
1		2		3		4		5	
6		7		8		9		10	

VIEW FROM W



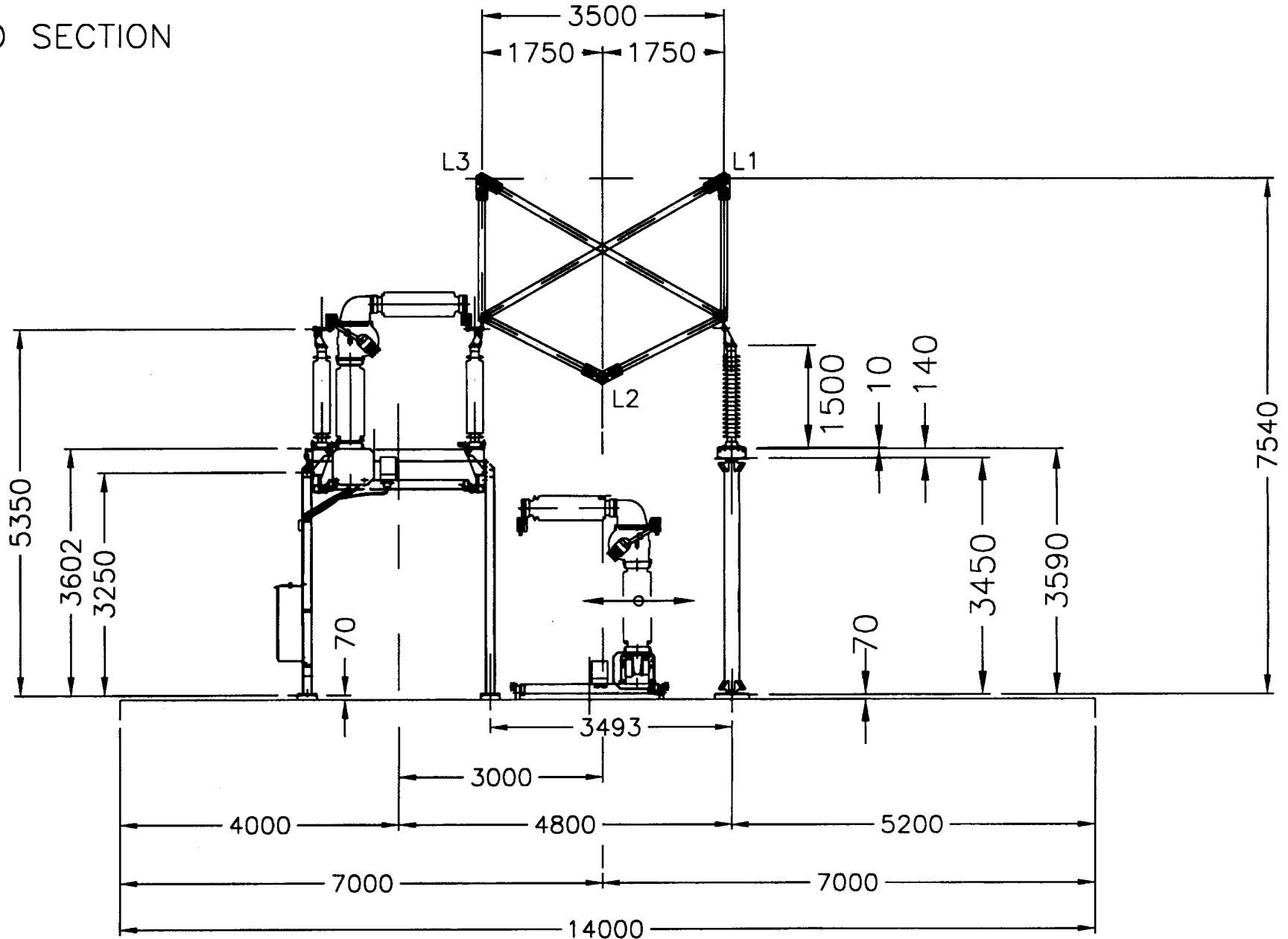
All rights are reserved for this document, even in case of
 transfer of a patent and reproduction of another trademark right.
 Reproduction, in particular reproduction for advertising or
 promotional purposes, is prohibited and actionable under civil and
 criminal law.

A livello di legge di riferimento la proprietà di questo
 documento non è trasferibile e l'uso non è consentito a
 fini promozionali o pubblicitarie.

FILL

Rev.	02/12/98 RC	ABB ABB - U. O. ADDA	Scale	SIN	TITolo: COMPASS S/S VIEW FROM W	LAYOUT	W. O.S./Draw:	Page 04 of 05
1	2	3	4	5	6	7	8	

D-D SECTION



All rights are reserved for this document, even in case of a patent and registration of similar technical right. Reproduction, in particular reproduction or holding out to third parties is prohibited and actionable under civil and criminal law.

A brand of logo of trademark is property of specific companies. Can be used with the permission of the respective manufacturer.

FILL

02/12/98 RC

ABB ABB - U. O. ADDA

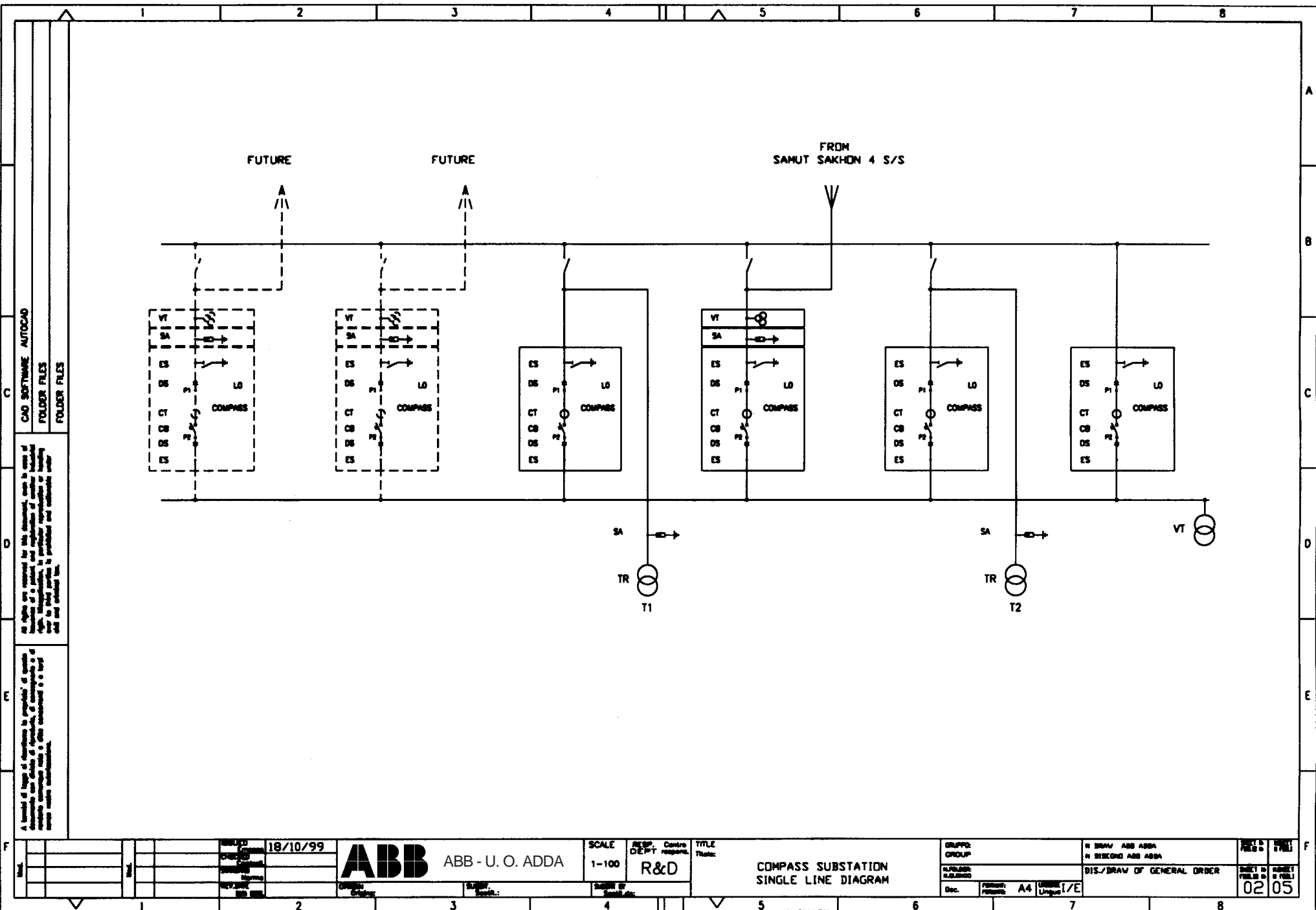
SIN

COMPASS S/S
D-D SECTION

LAYOUT

N. OS/DRAW.

Foglio N. R. Fogli

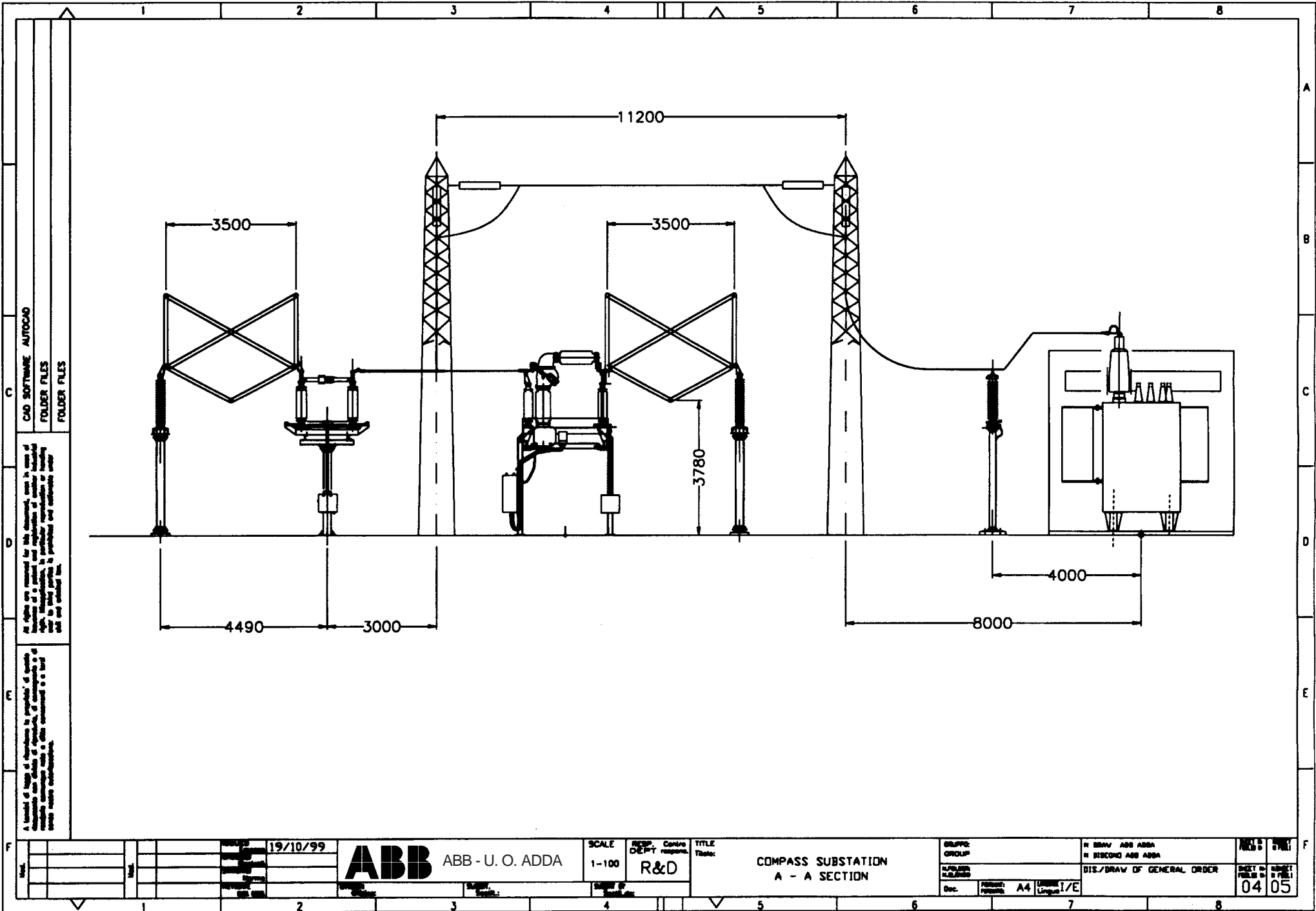


CAD SOFTWARE AUTOCAD
FOLDER FILES
FOLDER FILES

All rights are reserved for this document, each in case of
violation of a patent and reproduction of any kind
without the written permission of the author.
Right to reproduction, in particular reproduction or transfer
of data and software, is prohibited and reserved.

A limited liability of drawings is provided by the author.
The author is not responsible for any damage or loss
of data or software, in particular reproduction or transfer
of data and software, without the written permission of the author.

DATE	19/10/99	ABB - U. O. ADDA	SCALE	1-100	RESP. DEPT	R&D	TITLE	COMPASS SUBSTATION SINGLE LINE DIAGRAM	GROUP	N BRAV ABB ABBA N BISEGNO ABB ABBA	SHEET NO	02	TOTAL SHEETS	05
PROJECT			DATE		SCALE		RESP. DEPT		GROUP	DIS/DRAW OF GENERAL ORDER	SHEET NO		TOTAL SHEETS	
DESIGNER		DATE		SCALE		RESP. DEPT		GROUP		SHEET NO		TOTAL SHEETS		
CHECKED		DATE		SCALE		RESP. DEPT		GROUP		SHEET NO		TOTAL SHEETS		
APPROVED		DATE		SCALE		RESP. DEPT		GROUP		SHEET NO		TOTAL SHEETS		



CAD SOFTWARE AUTOCAD
 FOLDER FILES
 FOLDER FILES

All rights are reserved for this document, even in case of
 a patent and publication of similar technical
 drawings. It is prohibited to reproduce or to
 disseminate this document in any form and by any
 means without the written consent of ABB.

A limited liability of ABB is provided in paragraph 1 of article 10
 of the Italian Civil Code. In case of bankruptcy, liquidation or
 winding up of ABB, the liability of the shareholders is limited
 to the amount of their contribution to the capital of ABB.

DATE	19/10/99
DESIGNER	
CHECKED	
APPROVED	
SCALE	1-100

ABB ABB - U. O. ADDA

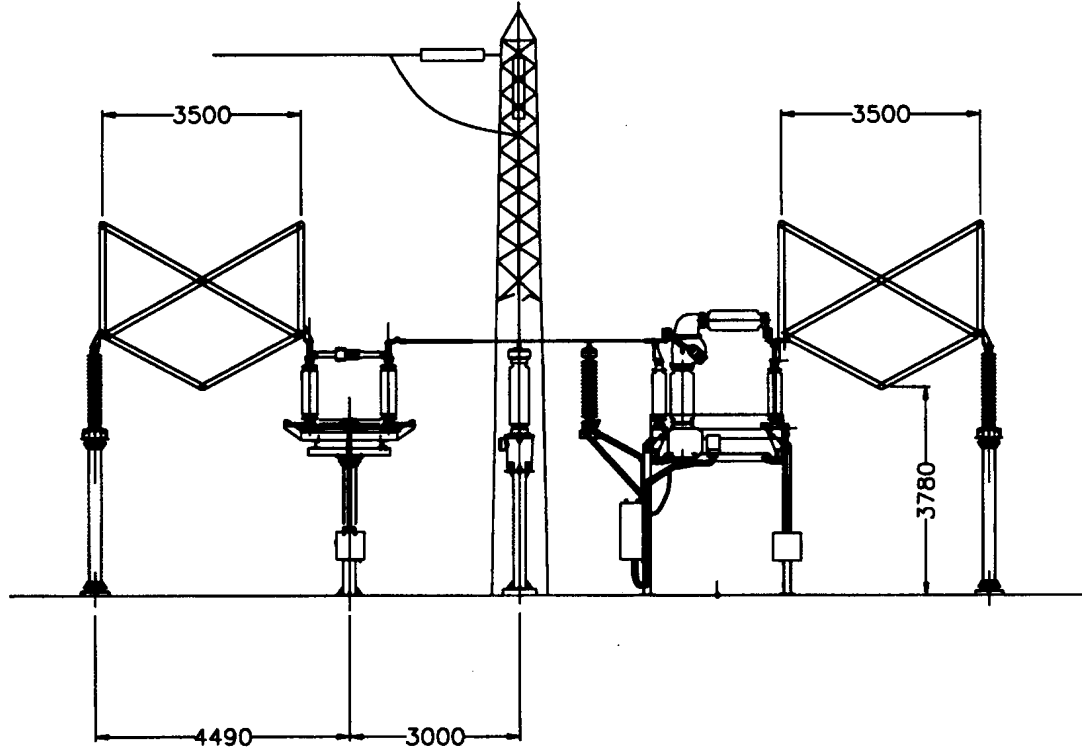
SCALE 1-100
 RESP. DEPT. R&D
 Centro respons.

TITLE COMPASS SUBSTATION
 A - A SECTION

GROUP: GROUP
 A/PROJ. FILED
 Dec. FORM: FORM A4
 LINGUA: I/E

IN BRVA ABB ADDA
 IN BISCIONE ABB ADDA
 DIS./DRAW OF GENERAL ORDER

FILE NO.	04
SHEET NO.	05



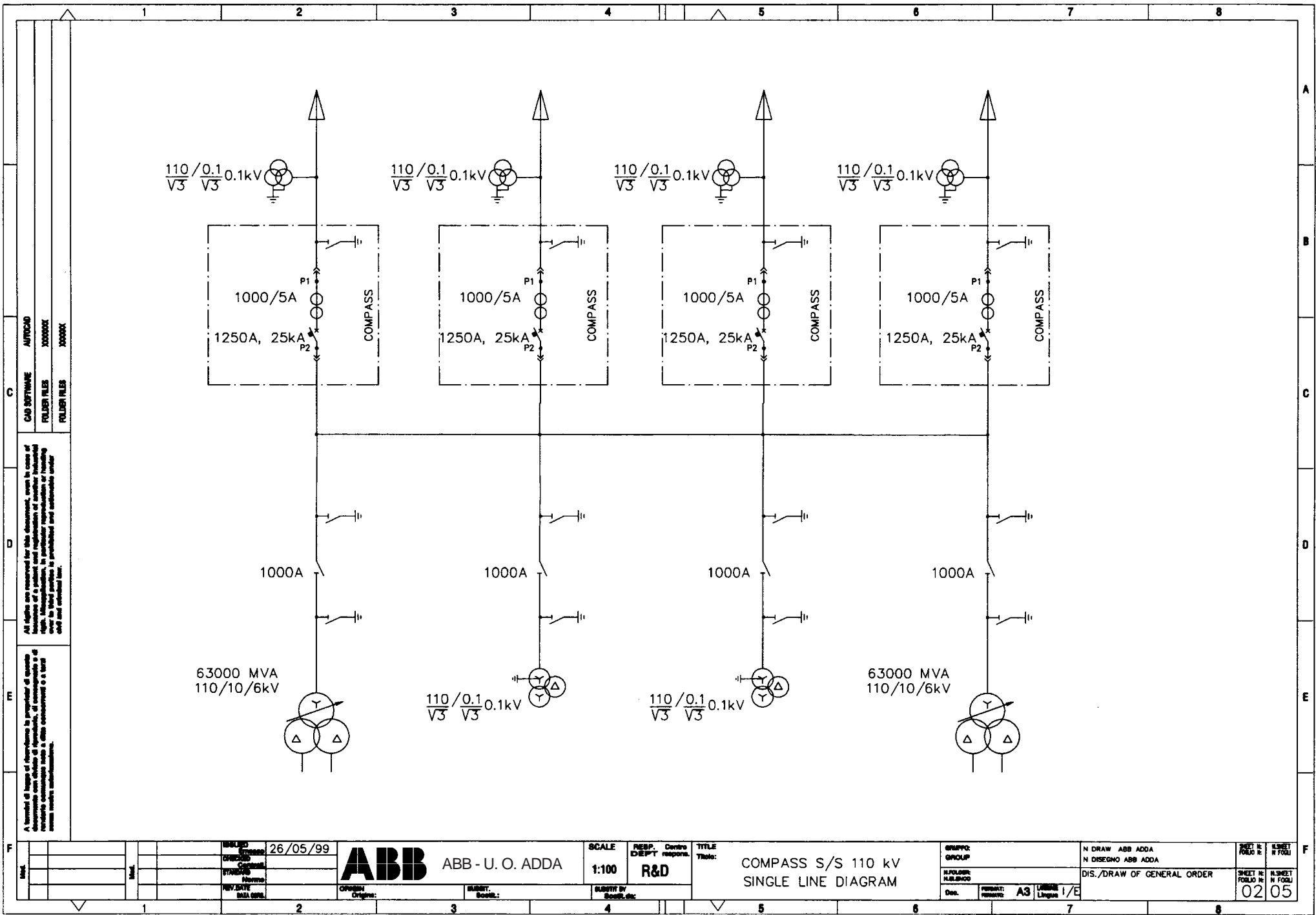
CAD SOFTWARE AUTOCAD
FOLDER FILES
FOLDER FILES

All rights are reserved for this document, even in case of
licensing of a patent and registration of other technical
rights. In any case, the particular reproduction or transfer
of this document is prohibited and constitutes a
crime under Italian law.

A number of types of equipment is provided in separate
documents with details of dimensions, of components or of
main dimensions and a clear statement of a list
of main parts and accessories.

REV.	19/10/99	ABB ABB - U. O. ADDA	SCALE	1-100	RESP. DEPT.	Centro risposta.	TITLE	COMPASS SUBSTATION B - B SECTION	GROUP	XXXXXXX	BY	ABB ADDA	DATE	05	SCALE	05	
	DATE		19/10/99	SCALE	1-100	RESP. DEPT.	R&D		TITLE	GROUP	XXXXXXX	BY	ABB ADDA	DATE	05	SCALE	05
REV.		DATE		SCALE		RESP. DEPT.		TITLE		GROUP		BY		DATE		SCALE	
REV.		DATE		SCALE		RESP. DEPT.		TITLE		GROUP		BY		DATE		SCALE	
REV.		DATE		SCALE		RESP. DEPT.		TITLE		GROUP		BY		DATE		SCALE	

ES 8 INDOOR TYPE



CAD SOFTWARE AUTOCAD
 FOLDER FILES XXXXXX
 FOLDER FILES XXXXX

All rights are reserved for this document, even in case of
 license of a patent and registration of another trademark
 right. Any reproduction, in particular reproduction of heading
 and drawings, is prohibited and punishable under
 law and criminal law.

A limited number of drawings is prepared by groups
 departments and divisions of headquarters, of companies or of
 separate companies into a data communication system
 some users' authorization.

REV. DATE
 REV. DATE
 REV. DATE

26/05/99
 Original
 Scale: 1:100

ABB ABB - U. O. ADDA

SCALE 1:100
 RESP. DEPT. R&D
 Desig. respons.

TITLE COMPASS S/S 110 kV
 Single Line Diagram

GROUP: GROUP
 N/DRAW: N/DRAW
 PERMITS: A3
 LANGUAGE: Italiano I/E

N DRAW ABB ADDA
 N DISEGNO ABB ADDA
 DIS./DRAW OF GENERAL ORDER

SHEET N° 02
 N° SHEET N° 05

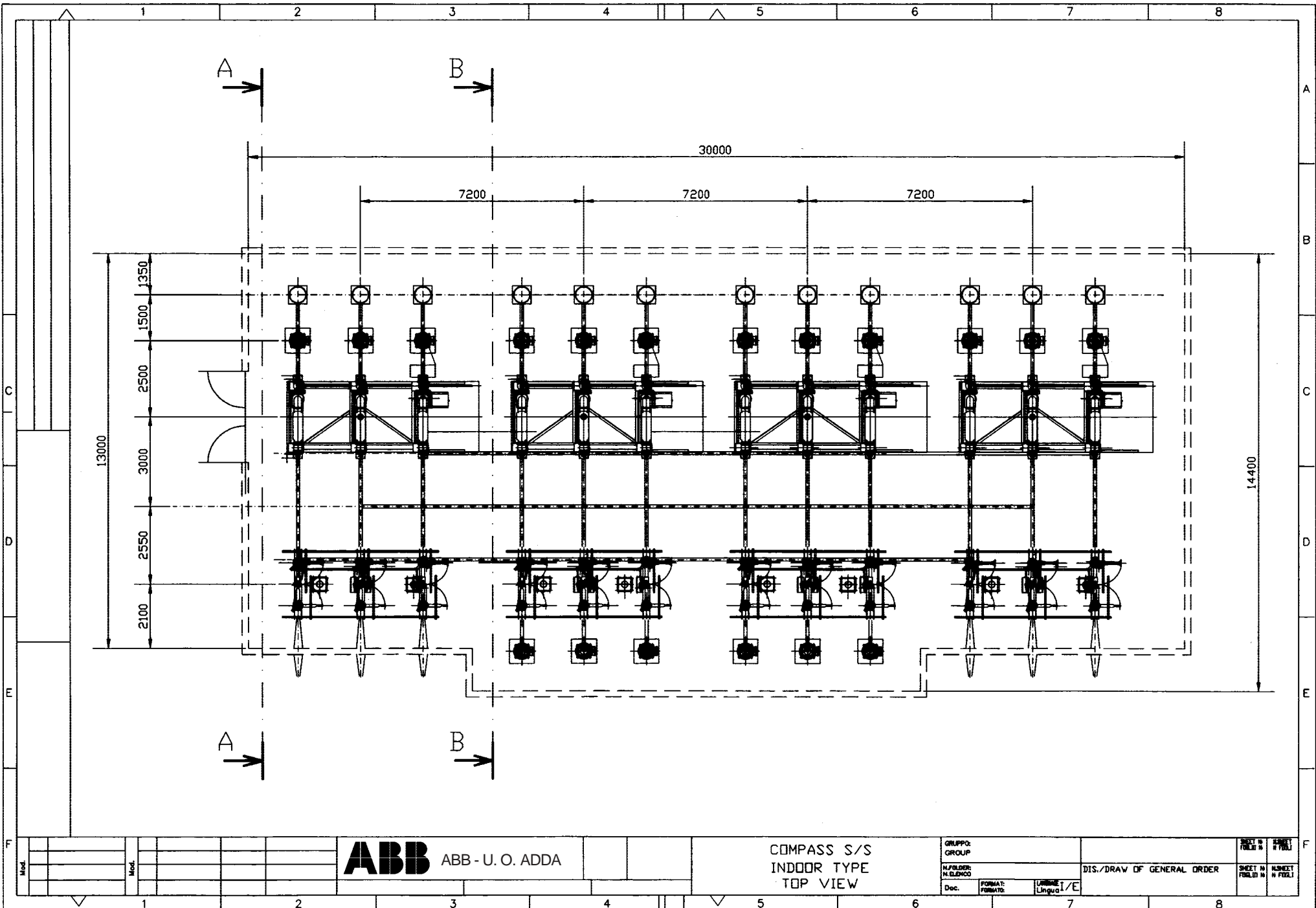
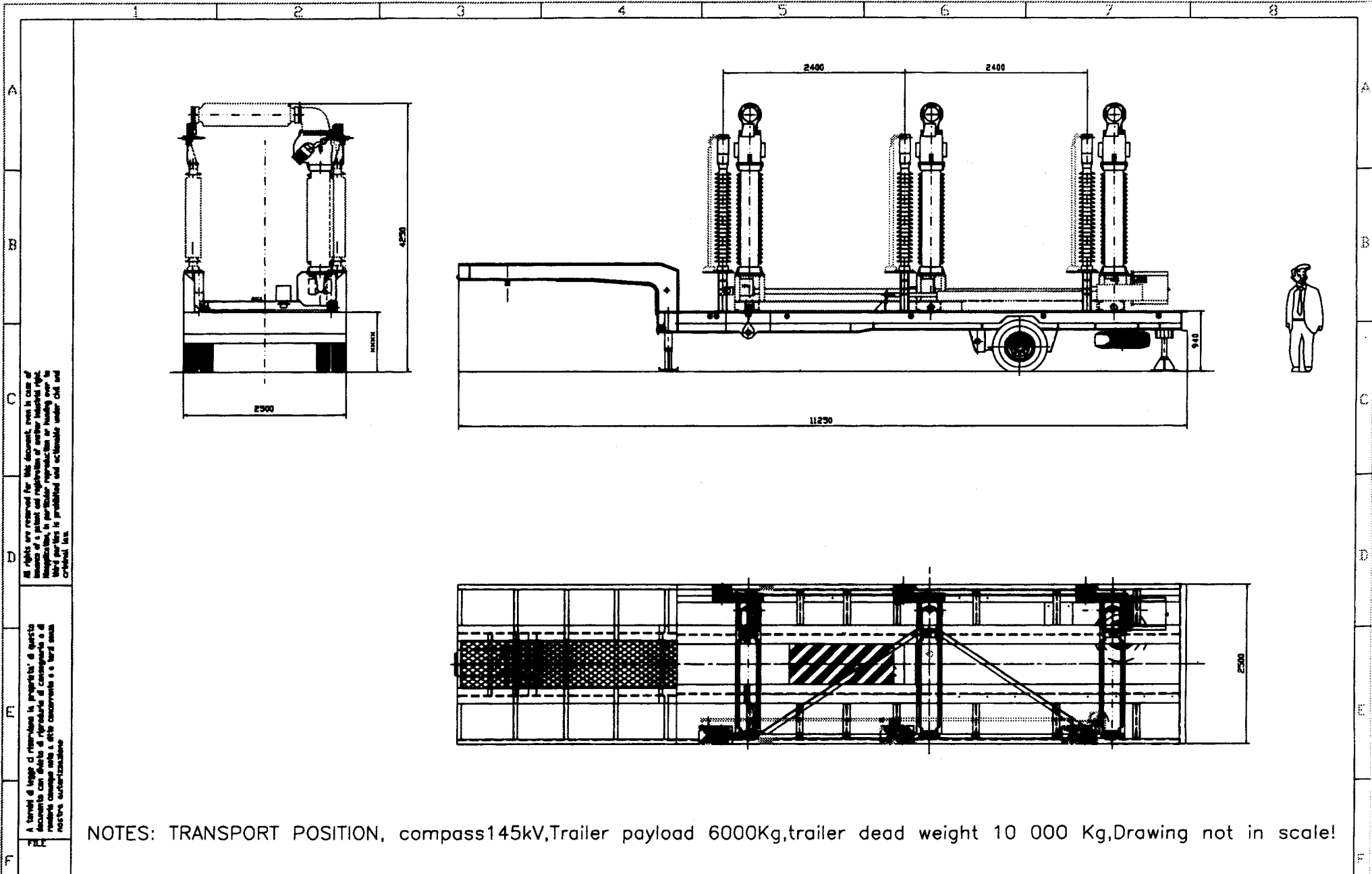


ABB ABB - U. O. ADDA

COMPASS S/S
INDOOR TYPE
TOP VIEW

GRUPPO: GROUP		DIS./DRAW OF GENERAL ORDER	DEGLI FOLIO IN	DEGLI FOLIO
N.FOLDER: N. ELENCO	Doc.		SHEET N. FOLIO IN	SHEET N. FOLIO
FORMAT: FORMATO	LINGUA: Lingua			

ES 9 MOBILE SUBSTATION



All rights are reserved for this document. Any use of
 images of a patent and reproduction of another kind of right.
 In particular, in particular reproduction or leading over to
 third parties is prohibited and actionable under civil and
 criminal law.

A. servizi di legge di intermediazione in proprietà di questo
 documento con effetto di riprendere di conseguenza o di
 mettere a altro commercio o a terzi senza
 nostra autorizzazione.

NOTES: TRANSPORT POSITION, compass145kV,Trailer payload 6000Kg,trailer dead weight 10 000 Kg,Drawing not in scale!

Mod.		20/01/99 RC	ABB	ABB - U. O. ADDA	Genio Esperto	ESP. SIN	Titolo: COMPASS 145 kV MOBILE SUBSTATION	N. PROGETTO	N. DIS/DRAW:	Foglio N. N. Fogli	
								Bea	Format A3	UA 311545	01 02



ABB Power Technologies S.p.A.
Unità Operativa Adda (PTHV)

Viale Pavia, 3

I-26900 Lodi

Tel: +39 0371 452 1

Fax: +39 0371 452 222

Internet://www.abb.com

Dati e immagini non sono impegnativi. Durante lo sviluppo tecnico del prodotto ci riserviamo il diritto di apportare modifiche.
Compass-Layout – Rev., en – Instruction Manual – 2004.11 (Compass)