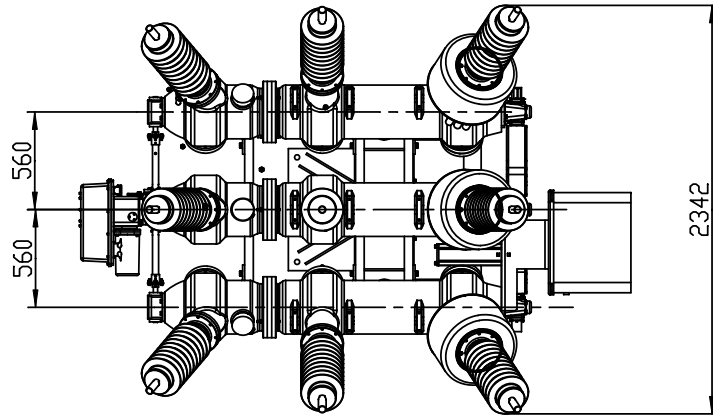
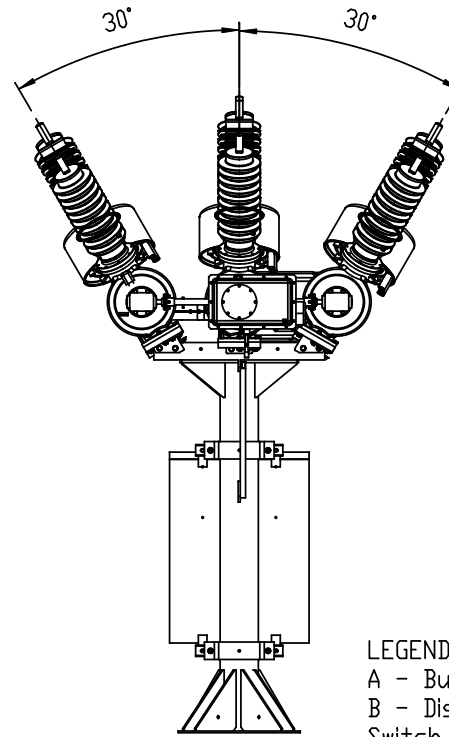
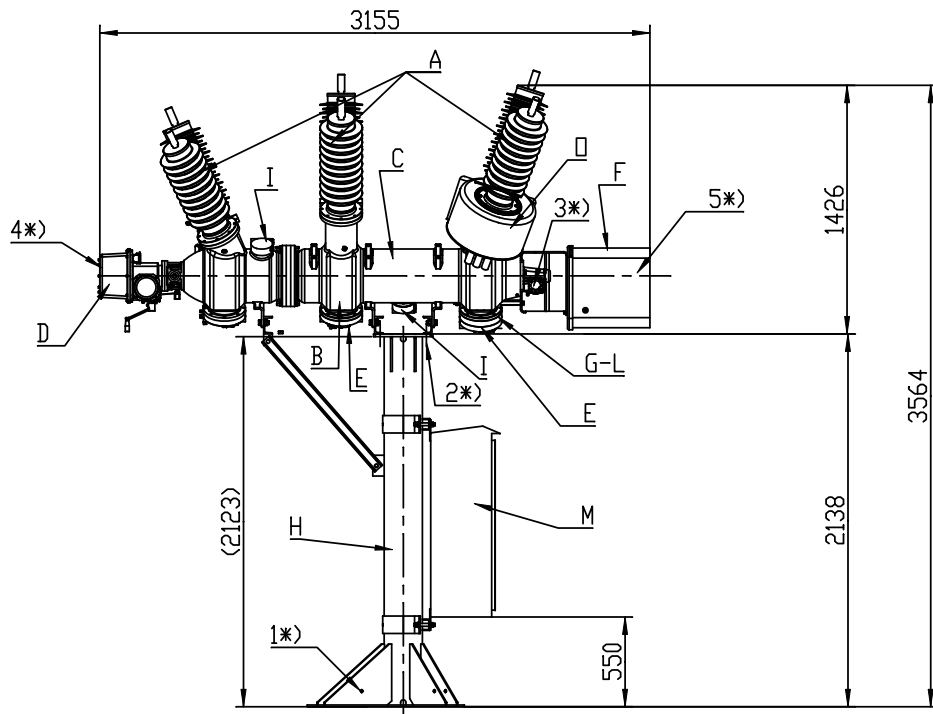




This document is issued by means of a computerized system. The electronically stored original is electronically approved. Any modification to this document requires a date entered in the approved document plus a date entered in the required signature is not required.



LEGEND

- A - Bushing
- B - Disconnecter+ Earthing Switch
- C - Circuit Breaker
- D - Drive for B
- E - View port
- F - Spring drive circuit breaker
- G - Density monitor
- H - Support structure
- I - Rupture disc
- L - Gas connection Dilo DN8
- M - Control cubicle
- - Current transformer
- 1\*) Connection to earth
- 2\*) Fixation holes
- 3\*) Position indication
- 4\*) Position indication
- 5\*) Action line

The information contained in this document has to be kept strictly confidential. Any unauthorized use, reproduction, distribution or disclosure to third parties are strictly forbidden. ABB reserves all rights regarding Intellectual Property Rights.  
Copyright 2010 ABB Technology Ltd. All rights reserved.

Prepared 08-10-10 GG	Responsible department	 Language
Modified by	Take over department	
Approved by	Used in product	LAYOUT PASS M00 DBB 40kA
Revision	Order	Sheet no. 1
 ABB Technology		Document no. 2GJA310022
		No. Shits. (1)

Ltd