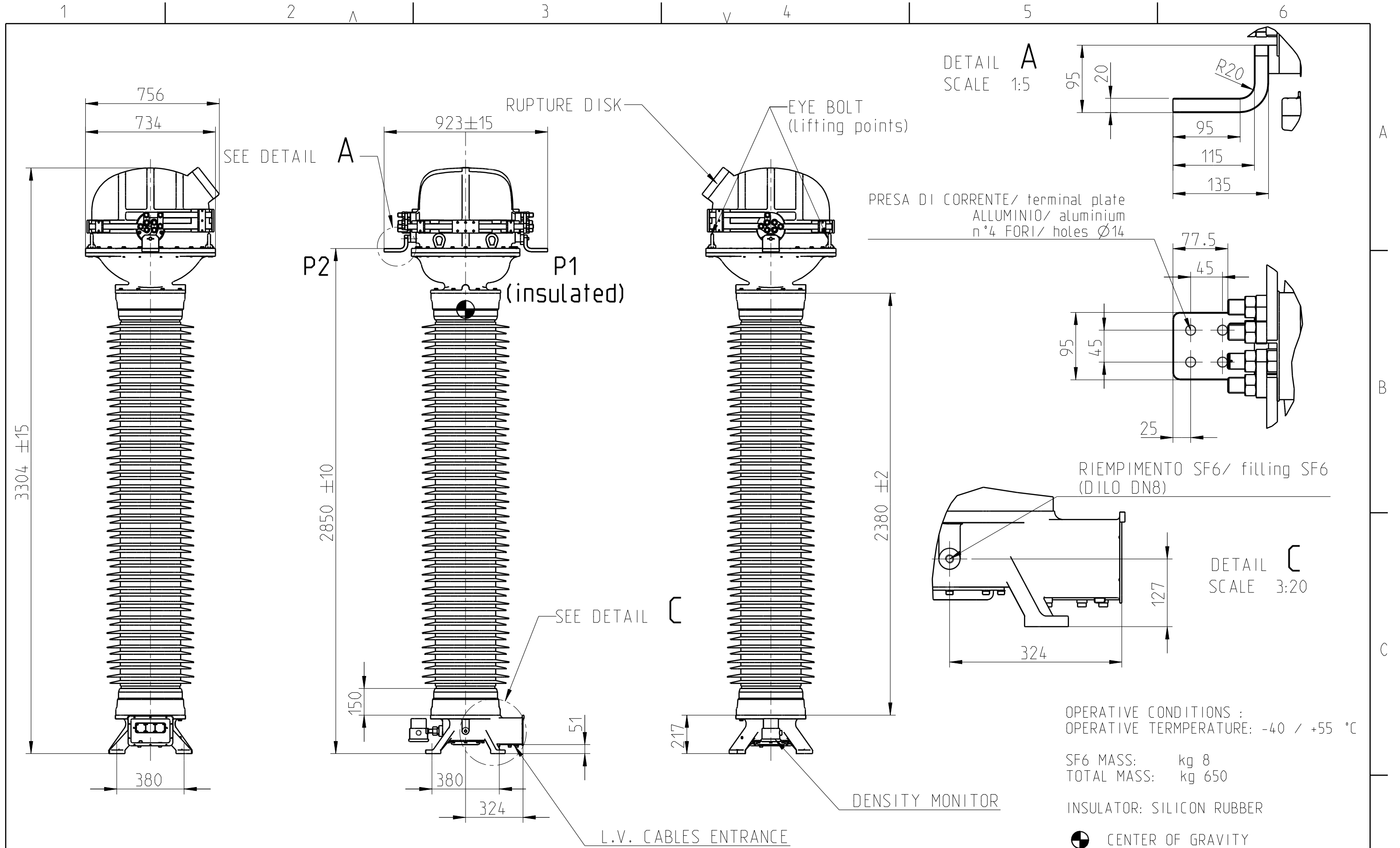


This document is issued by means of a computerized system. The digitally stored original is electronically approved. The approved document has a date entered in the "Approved"-field. A manual signature is not required.

The information contained in this document has to be kept strictly confidential. Any unauthorized use, reproduction, distribution or disclosure to third parties are strictly forbidden. ABB reserves all rights regarding Intellectual Property Rights. © Copyright 2010 ABB Technology Ltd. All rights reserved.



OPERATIVE CONDITIONS :
OPERATIVE TEMPERATURE: -40 / +55 °C

SF6 MASS: kg 8
TOTAL MASS: kg 650

INSULATOR: SILICON RUBBER

CENTER OF GRAVITY

Prepared DR	08/11/2011	Responsible department	Title INGOMBRO GENERALE/ general arrangement	Format A3
Modified by		Take over department	current transformer TG363	
Approved by		Used in product	TRASFORMATORE DI CORRENTE TG363	Language 0
Revision A			Order	Sheet no. 1
ABB ABB Technology Ltd			Document no. 2GJA309658	No. Shts. (1)