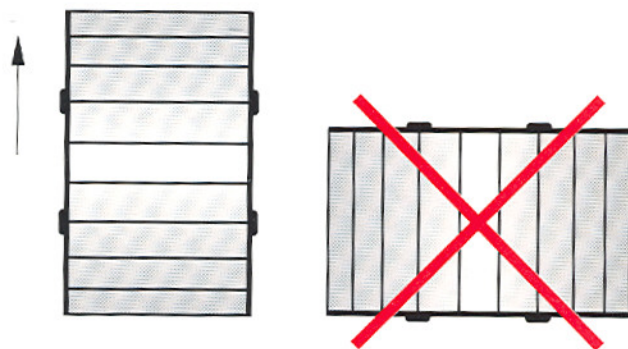


Drum Handling

In order to prevent damage to cable drums during transportation, observe the following six instructions:

1. Always stand upright

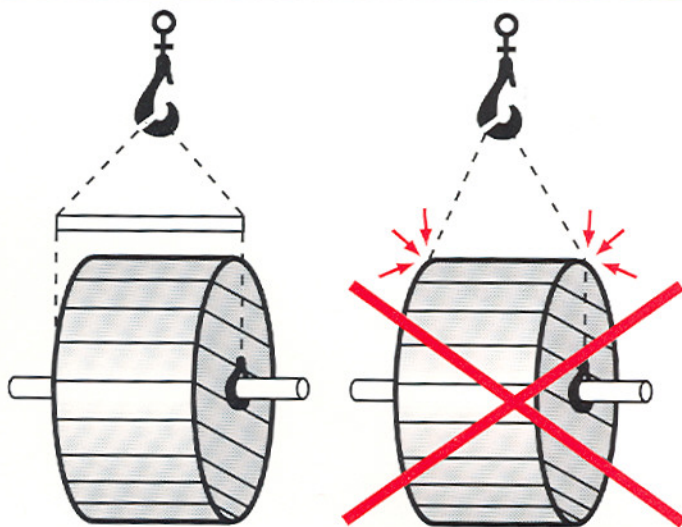
Otherwise the cable might be damaged or the cable layers tangled making it impossible to pull out and use the cable.



2. Crane handling

Always use yoke to avoid damage to the drum flanges and cable.

Always use lifting bar to avoid damage to the centre hole.

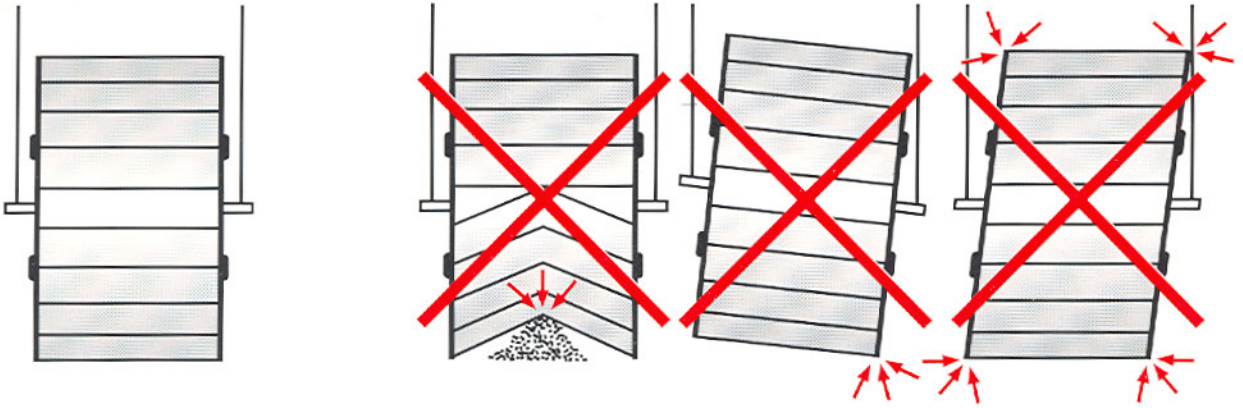


3. Fork lift truck handling

The forks must cover the drum entirely. Otherwise the lagging will be destroyed and the cable damaged.

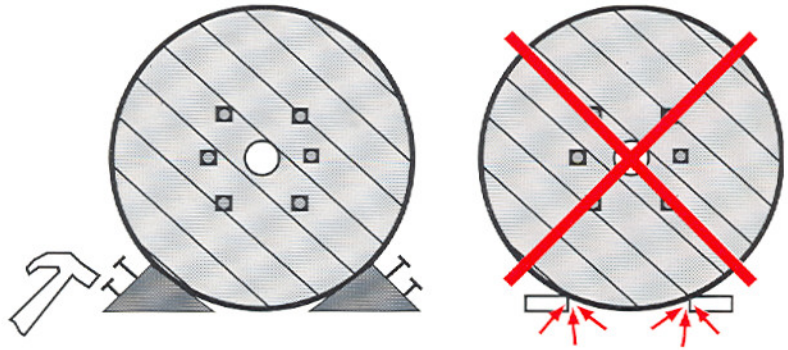


4. Lower gently on to a level surface



5. Use blocks during transportation

Nail the blocks to the floor.



6. Leave space between drums during transportation

Enough space should be left to prevent damage to cable end and drum flange.

