

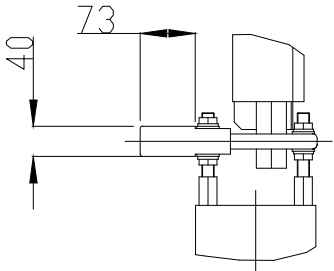
Total mass= 2500 kg
 Single pole mass= 300 kg
 C.B. drive mass= 160 kg

Max working static load on the terminals:
 in Y 100 daN in X 75 daN in Z 75 daN

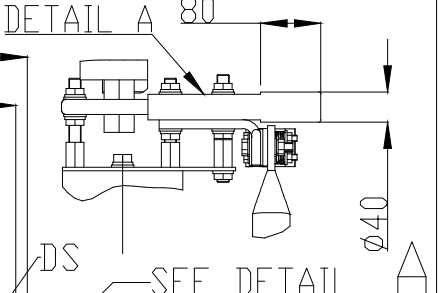
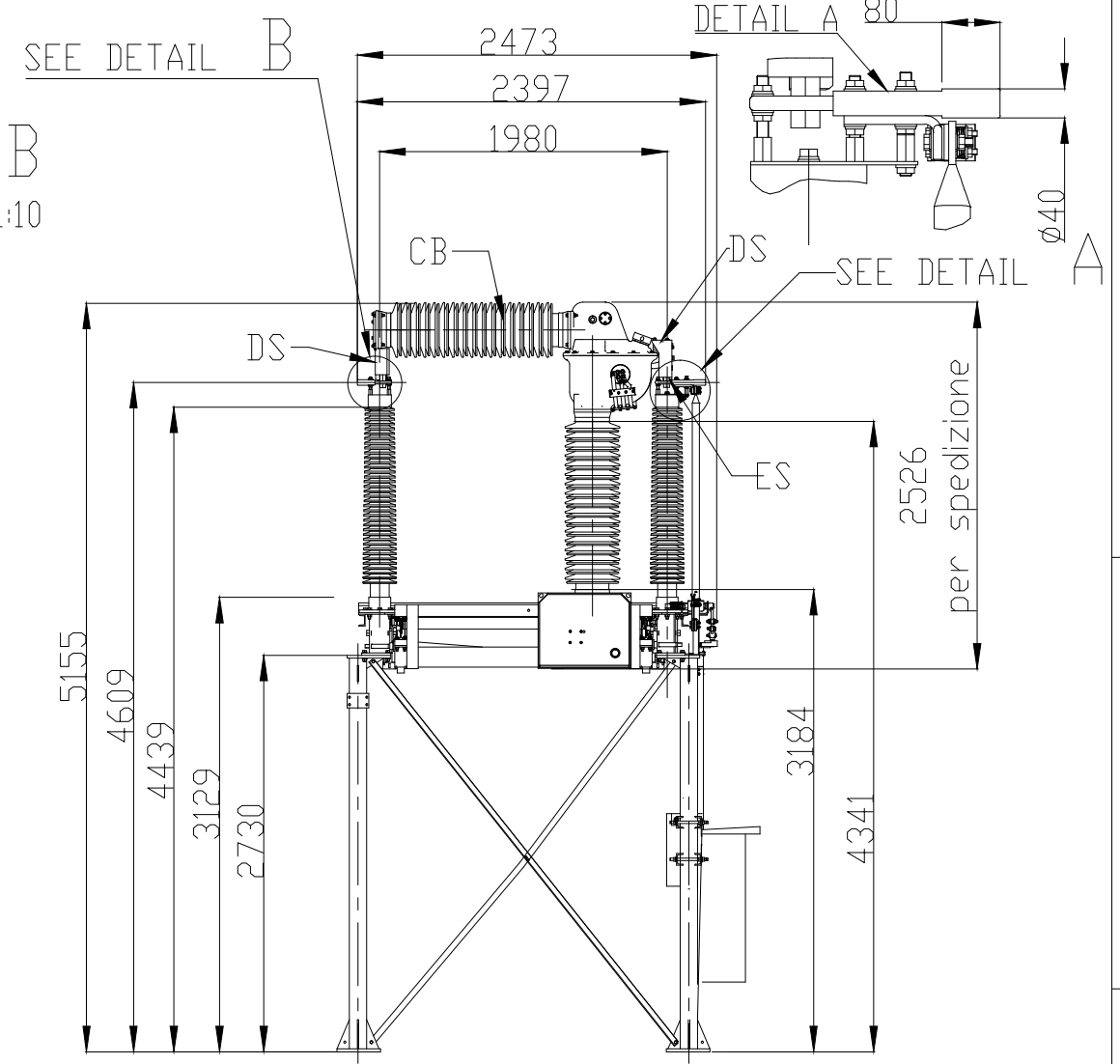
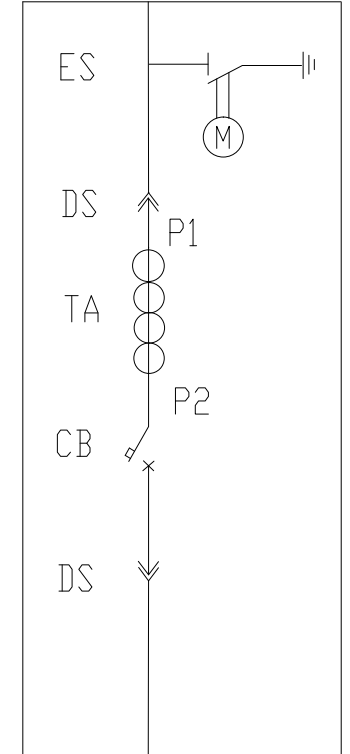
SECTION G-G
 SCALE 1:50

SCALE 1:50

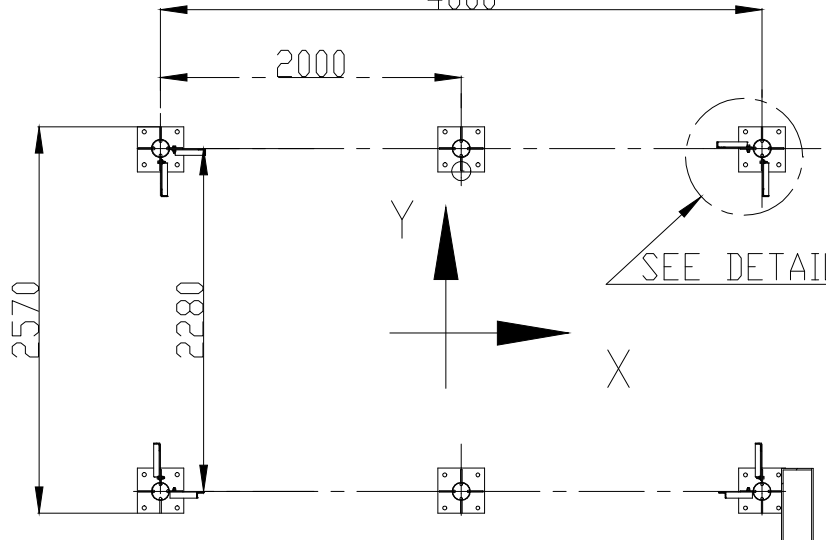
We reserve all rights in this document and in the information contained therein. Reproduction, use or disclosure to third parties without express authority is strictly forbidden.
 © Copyright 2002 ABB. All rights reserved.



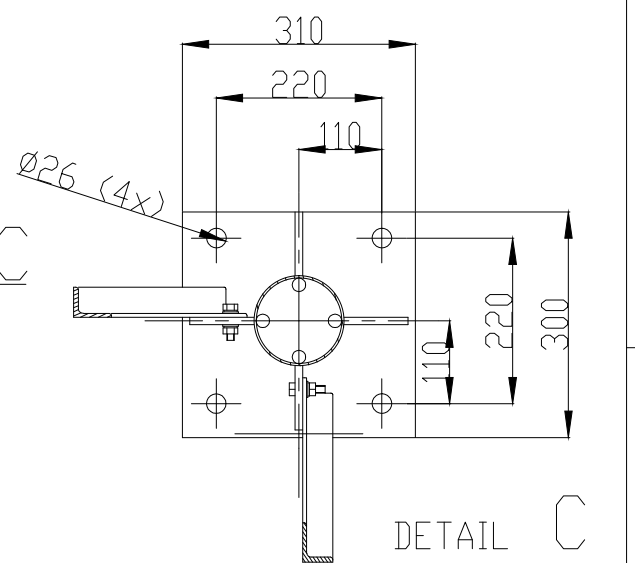
DETAIL B
 SCALE 1:10



DETAIL A
 SCALE 1:10



SEE DETAIL C



DETAIL C
 SCALE 1:10

Prepared: 10-02-2010 MT	Derived from / Replaces:	Sep.BOM same no. <input type="checkbox"/> Without sep. BOM <input type="checkbox"/> Scale: 1:40	Doc.type: DRW	Format: A3
Checked:	Responsible department:	Product: Assembly: INGOMBRO COMPASS 123 KV		
Approved:	Take over department: ---	Language: EN		
Units:	Revision: A=EQ 12.07.2011 CP	COMPASS COMPOSITE 123 KV		
ABB PT S.p.A Unità operativa Adda		Document number: 2GJA309990	No. Shts: 1 Sht. no: 1	