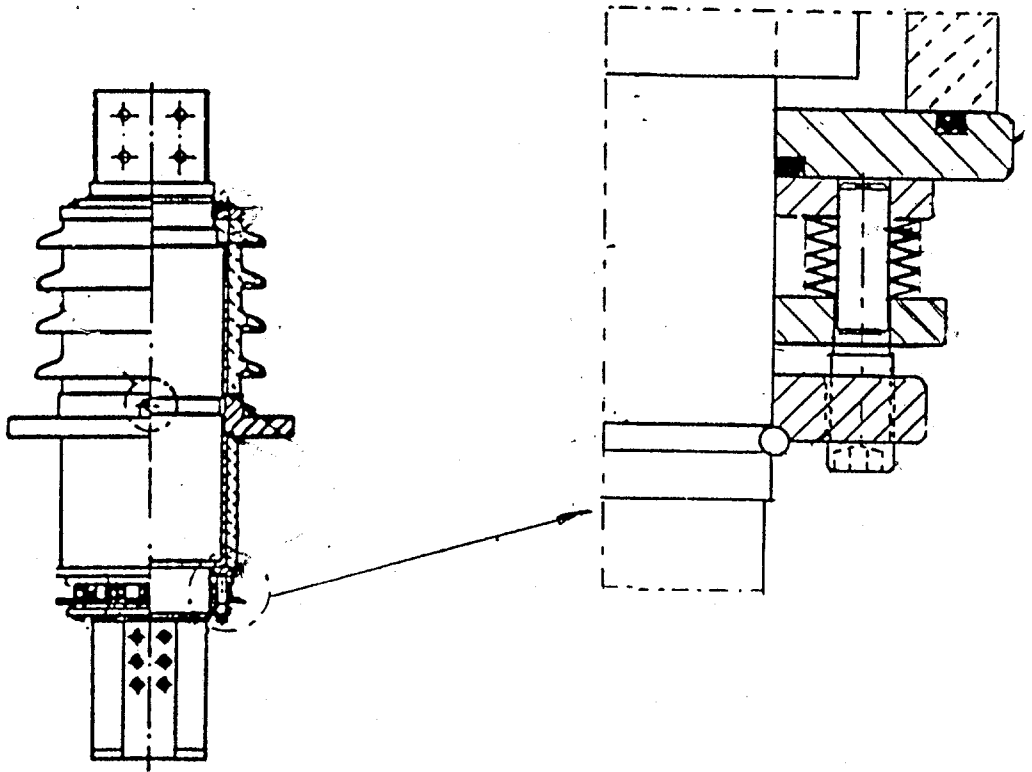


Repair of GOH 150 and 200

- General** GOH 150 and 200 have two different designs on the sealing system at the bottom end: the original system and the modified system.
- The difference between the systems is the flexible membrane in the modified system.
- Spare parts** The spare-kits are of two types: for bushings with the original system and for bushings already provided with the modified sealing system.
- It is possible to see if the bushing has the modified system by looking at the outside of the rings at the bottom end.
- If the piles of springwashers are totally visible it is the original system.
- If the piles only are visible in a slot of 5 mm between the bottom-plates, it is the modified system.
- Please see next page.
- Repair** Repair of bushing(s) shall be carried out by ABB Components or authorized personnel.

Original system



Modified bushing

