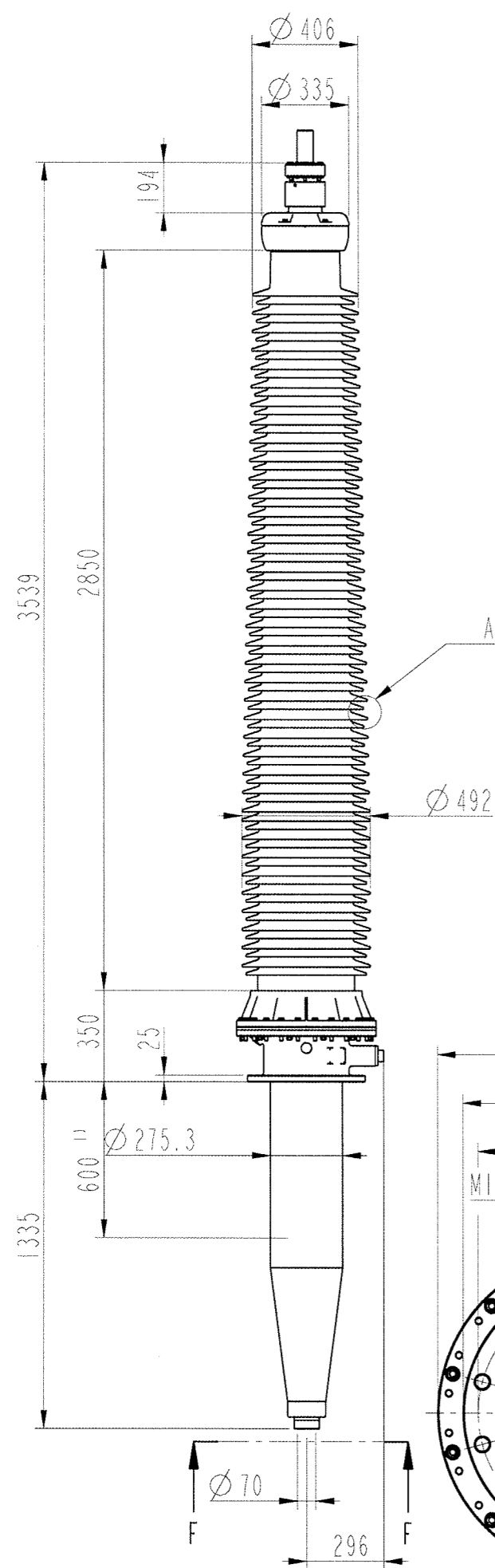


We reserve all rights in this document and in the information contained therein. Reproduction, use or disclosure to third parties without express authority is strictly forbidden. ©ABB

Rev. Ind	Revision	Appd	Date
2	Outer terminal -AAD: D2 was 60 Ø 450 added.	PR PR	071227



Bushing Data:

Rated Voltage	362	kV
Phase to-earth Voltage	220	kV
Dry Lightning Impulse 1,2/50µs	1175	kV
Wet Switching Impulse	950	kV
Wet Power frequency AC	n.a.	kV
Routine test 1min dry 50Hz	561	kV
Rated Current	1600	A
Creepage Distance, nominal	10371	mm
Creepage Distance, minimum	9955	mm
Mass	750	kg

Ordering Data:

BUSHING		AIR INSULATOR COLOUR/TYPE
IZSC901362-AAB	Test tap	Brown/Porcelain
IZSC901362-ABB	Voltage tap 6kV	Brown/Porcelain
IZSC901362-BAB	Test tap	Light grey/Porcelain
IZSC901362-BBB	Voltage tap 6kV	Light grey/Porcelain

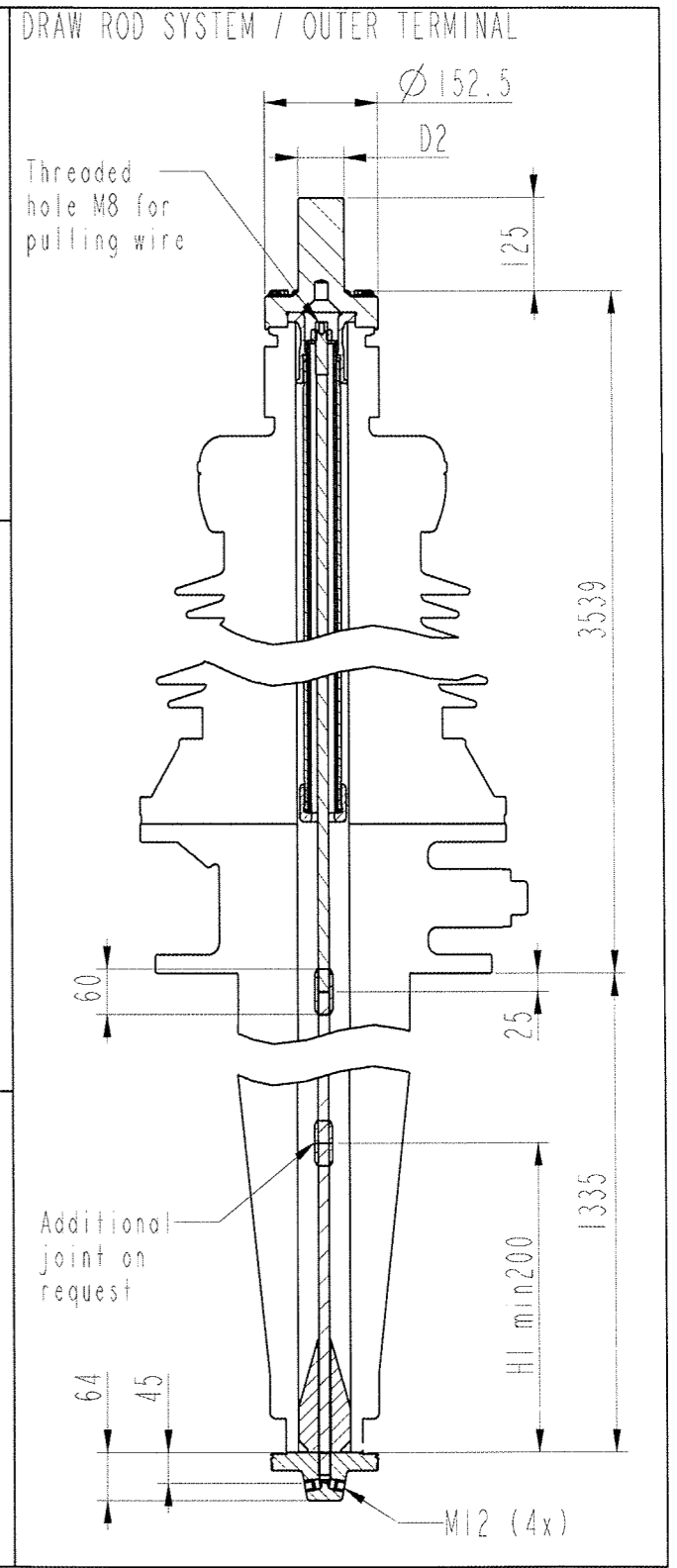
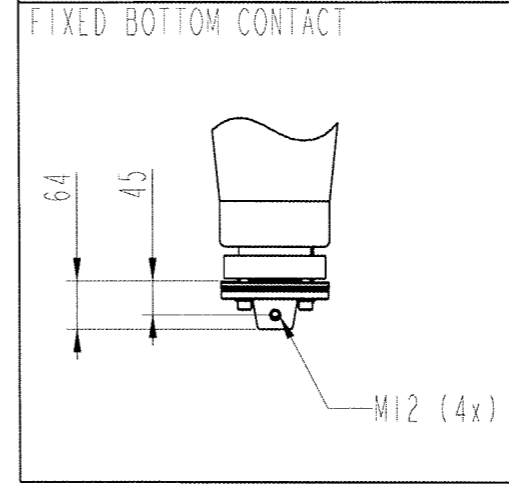
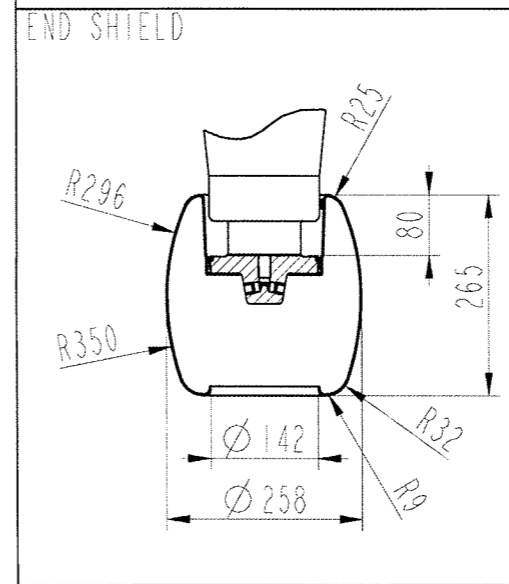
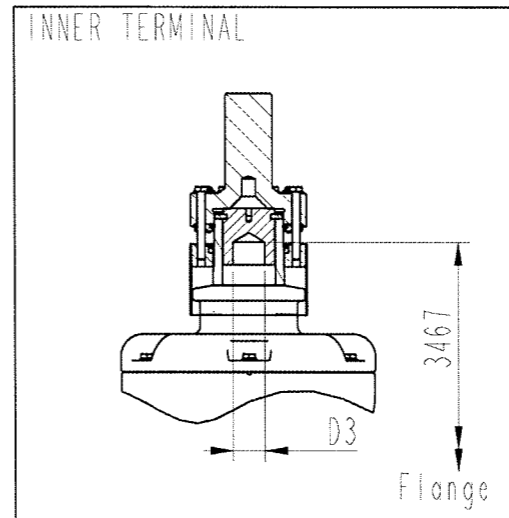
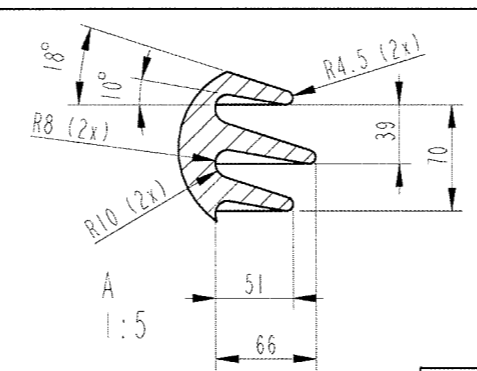
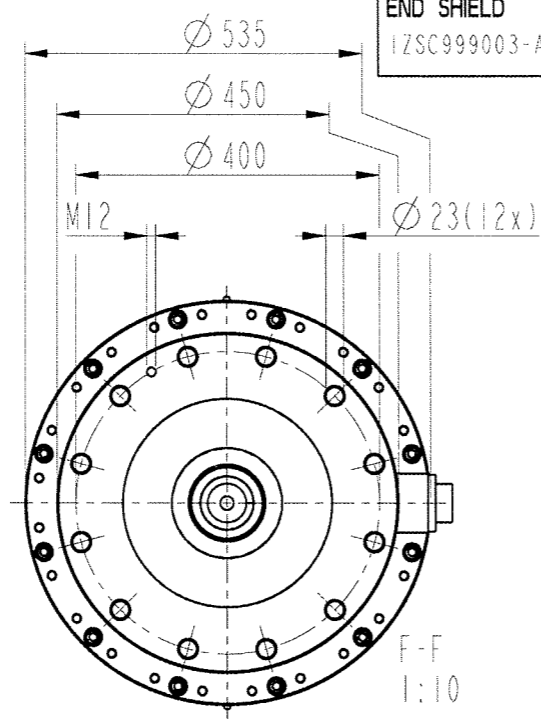
OUTER TERMINAL	MATERIAL	D2 (mm)
IZSC999001-AAA	Al	30
IZSC999001-AAB	Al	60
IZSC999001-AAC	Cu	30
IZSC999001-AAD	Cu	40

DRAW ROD SYSTEM		
IZSC999006	Lower draw rod	
IZSC999007	Upper draw rod	

INNER TERMINAL	D3 (mm)
IZSC999005-AAA	15
IZSC999005-AAB	30
IZSC999005-AAC	40
IZSC999005-AAD	42

FIXED BOTTOM CONTACT	
IZSC999002-AAA	

END SHIELD	
IZSC999003-AAA	Epoxy insulated



Signatures acc. to revision 0 are valid
Signaturer enligt revision 0 gäller

Production engineering review F Petrici	Based on Prepared P Runnholm	Reg. No. Responsible department PTTR/CO/BI 0450	Title GSB 362/1600/0,6	Language 82
Inspection engineering review K-E Andersson	Approved R Johansson	Take over department Database ***	Page 1(1)	
Design engineering review P Sjöberg			Document No. 2751377-4	

1) Maximum length of CT