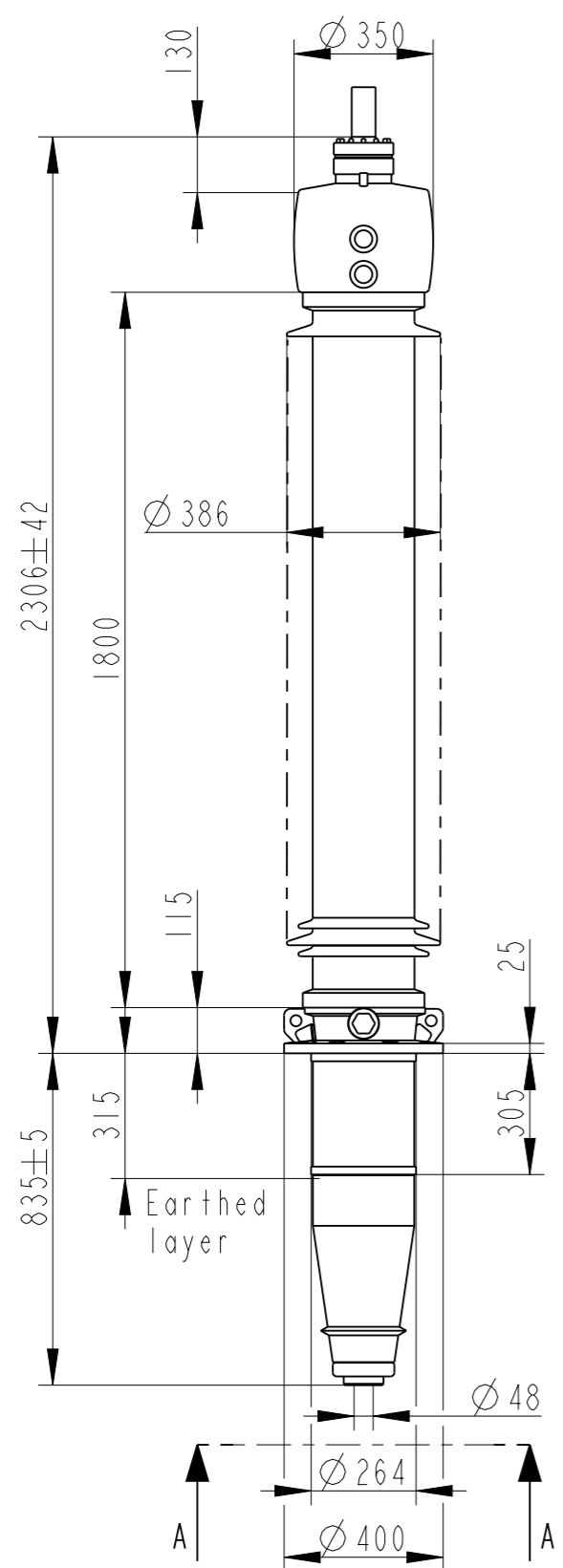


This document is issued by means of a computerized system. The digitally stored original is electronically approved. The approved document has a date entered in the "Approved"-field. A manual signature is not required.

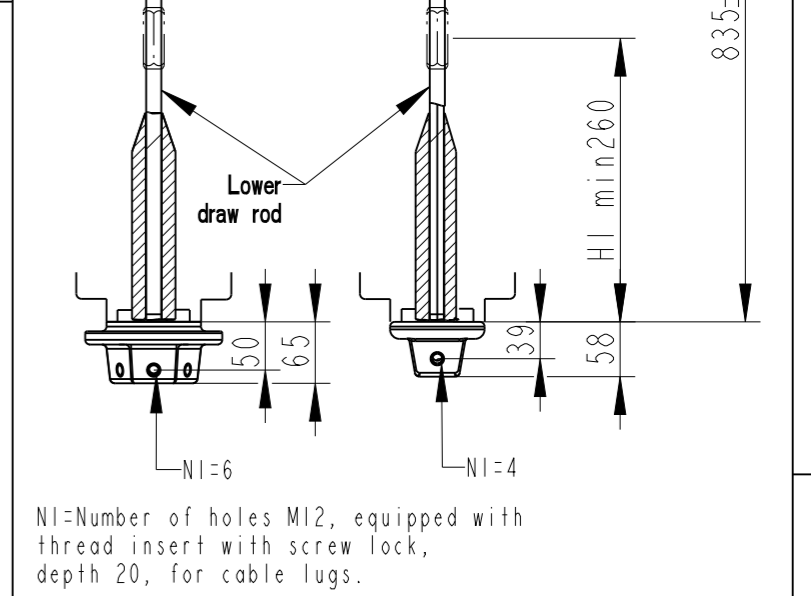
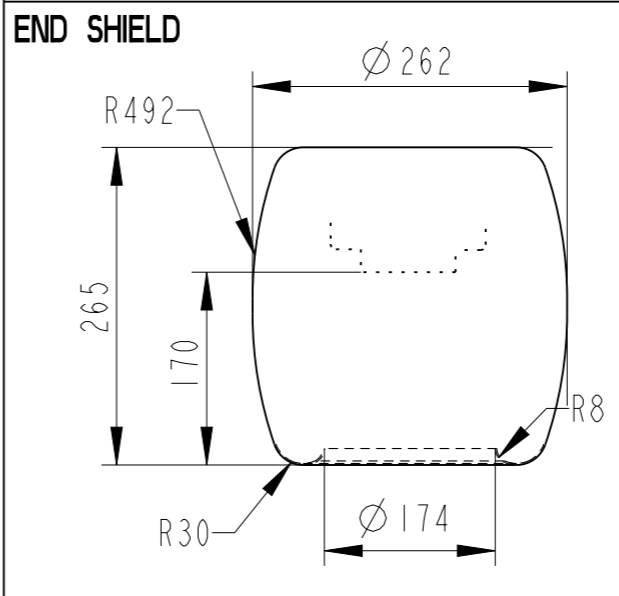
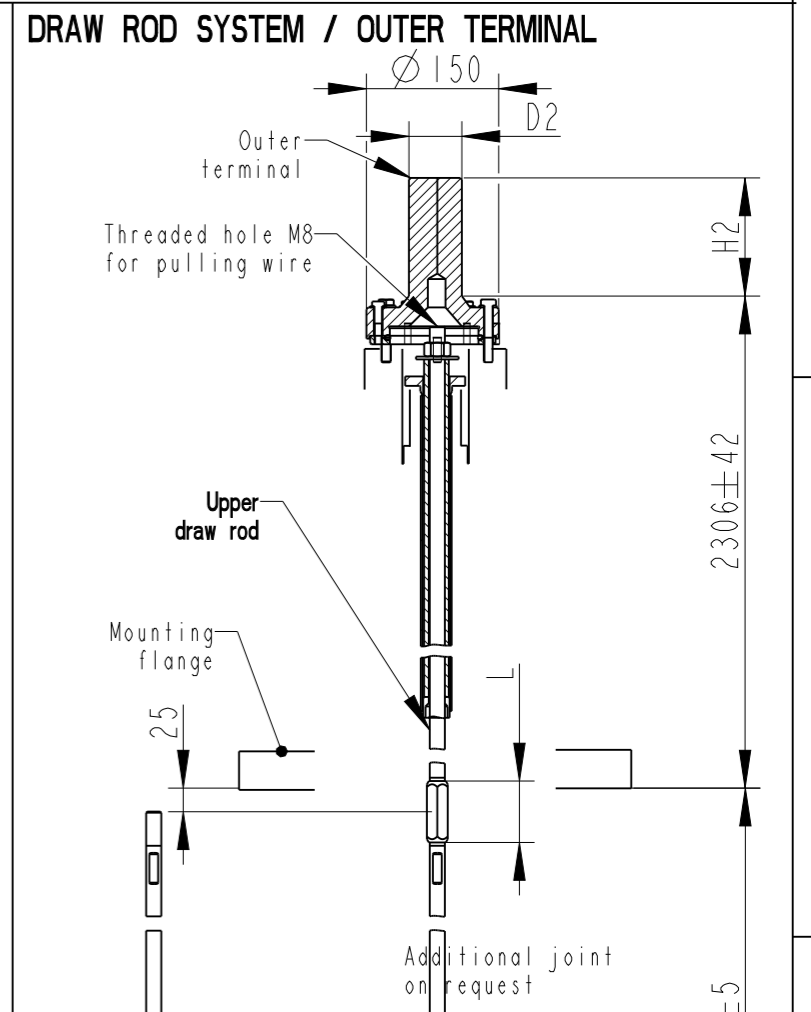
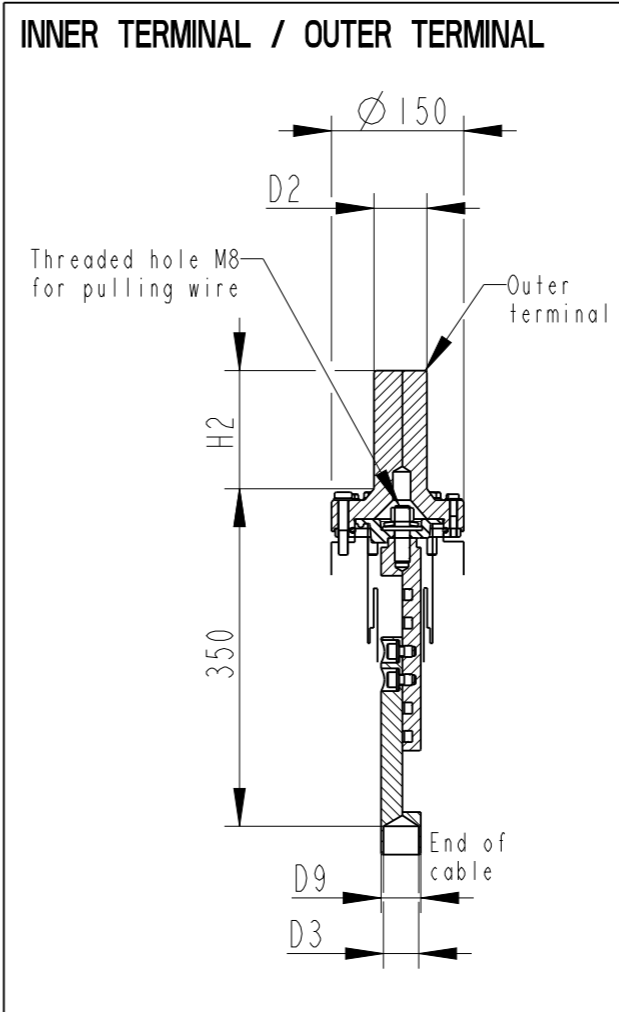
The information contained in this document has to be kept strictly confidential. Any unauthorized use, reproduction, distribution or disclosure to third parties are strictly forbidden. ABB reserves all rights regarding Intellectual Property Rights. © Copyright 2010 ABB. All rights reserved.



Bushing Data:	
Rated Voltage	170 kV
Phase to-earth Voltage	98 kV
Dry Lightning Impulse 1,2/50µs	950 kV
Wet Switching Impulse	650 kV
Wet Power frequency AC	395 kV
Routine test Imin dry 50Hz	395 kV
Rated Current	3150 A
Creepage Distance	6820 mm
Mass	405 kg

Ordering Data:	
BUSHING IZSC902170-AAA	COLOUR AIR INSULATOR BROWN
OUTER TERMINAL	Max. Rated H2 Current (A)(mm)
LF170 073-A	Al 2500 125 60
LF170 073-B	Cu 4000 125 60
LF170 073-G	Cu/Ag 4000 125 60
LF170 073-L	Cu/Sn 4000 125 60
LF170 073-BA	Cu/Ag 3000 125 2"-12UN
LF170 073-AA	Cu 5000 125 96
END-SHIELD	EPOXY INSULATED INSULATED WITH 3 mm PRESSBOARD
LF170 046-U	
LF170 046-P	
DRAW ROD SYSTEM	LOWER DRAW ROD WITH NI=4 OR NI=6 UPPER DRAW ROD
LF170 059-CE OR-V	
LF170 057-L	
INNER TERMINAL	D3 D9 Cond.area Current (A) (mm) (mm)(mm2) IEC IEEE
LF170 056-E	0 *) 45 - - -
LF170 056-D	40 45 600 1600 1360

*) WITH PILOT HOLE D=5



NI=Number of holes M12, equipped with thread insert with screw lock, depth 20, for cable lugs.

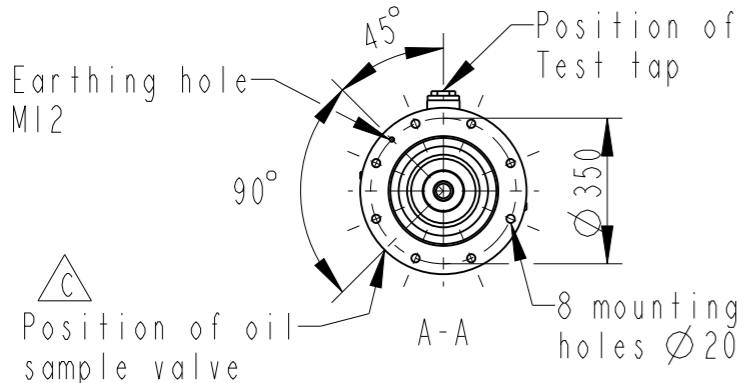


ABB		Ludvika, Sweden	
No.			
Um/Uy	kV Ir	A	50/60 Hz
BIL	kV SIL	kV AC	kV
M	kg L	mm D	
C1	pF Tanδ	z	
C2	pF Tanδ	z	

Prepared	2010-02-18	Responsible department	Title	
Ali Amin		PPCO/BK	GOE 950-650-3150-0.3	
Modified by	2010-10-13	Take over department	GOE 950-650-3150-0.3	
Palpandi K		Used in product	GOE 950-650-3150-0.3	
Approved by	2010-10-15		Order	Sheet no.
Urban Schander				1
Revision	C Added note "Position of oil sample valve"		Document no.	No. Shts.
			2751369-309	(1)

