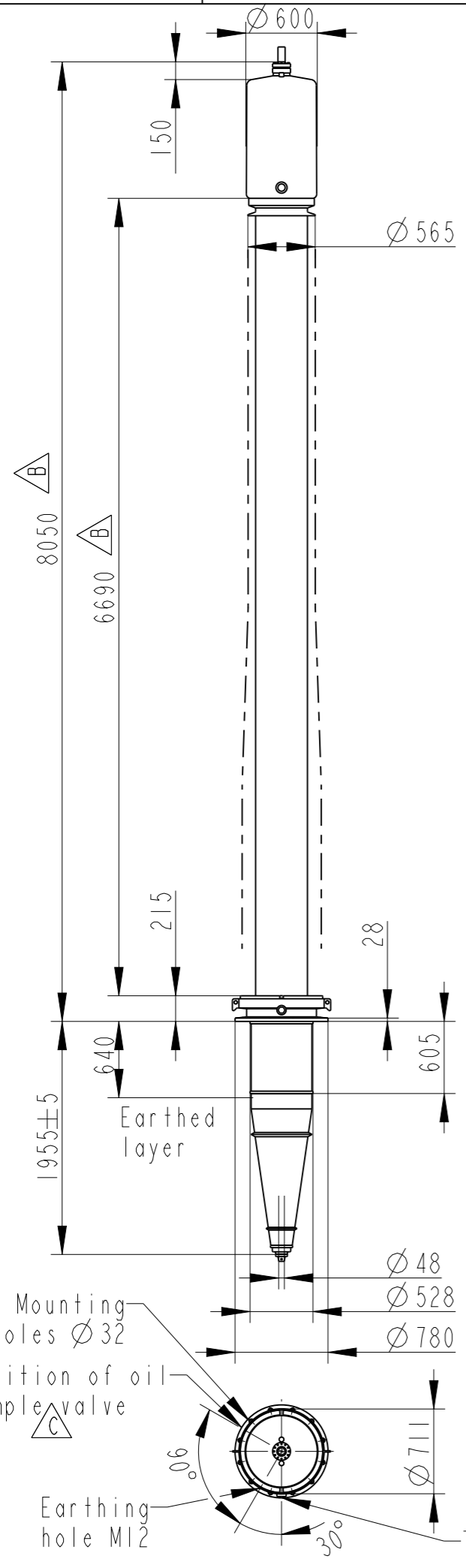


This document is issued by means of a computerized system. The digitally stored original is electronically approved. The approved document has a date entered in the "Approved"-field. A manual signature is not required.

The information contained in this document has to be kept strictly confidential. Any unauthorized use, reproduction, distribution or disclosure to third parties are strictly forbidden. ABB reserves all rights regarding Intellectual Property Rights. © Copyright 2010 ABB. All rights reserved.



Bushing Data:

Rated Voltage	800	kV
Phase to-earth Voltage	462	kV
Dry Lightning Impulse 1,2/50µs	2550	kV
Wet Switching Impulse	1675	kV
Dry switching impulse	1760	kV
Routine test Imin dry 50Hz	1000	kV
Rated Current	2500	A
Creepage Distance	25720	mm
Mass	3500	kg

Ordering Data:

BUSHING	COLOUR AIR INSULATOR	
IZSC902800-AAA	BROWN	
OUTER TERMINAL	Max. Rated H2	D2
	Current (A)(mm)	(mm)
LF170 073-A Al	2500 125	60
LF170 073-B Cu	4000 125	60
LF170 073-G Cu/Ag	4000 125	60
LF170 073-L Cu/Sn	4000 125	60
LF170 073-BA Cu/Ag	3000 125	2"-12UN
LF170 073-AA Cu	5000 125	96

END-SHIELD

LF170 046-X	EPOXY INSULATED
LF170 046-XP	INSULATED WITH 6 mm PRESSBOARD

DRAW ROD SYSTEM

LF170 059	LOWER DRAW ROD WITH NI=4 OR NI=6
LF170 057	UPPER DRAW ROD

INNER TERMINAL

	D3	D9	Cond.area	Current (A)	
	(mm)	(mm)	(mm ²)	IEC	IEEE
LF170 056-E	0 *	45	-	-	-
LF170 056-D	40	45	600	1600	1360

*) WITH PILOT HOLE D=5

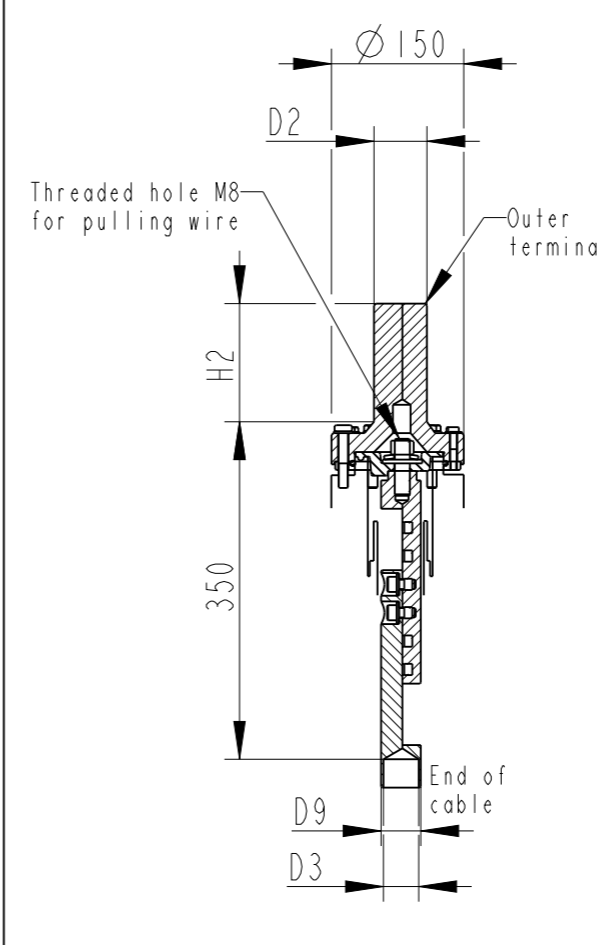
ABB		Ludvika, Sweden	
No.			
Um/Uy	kV Ir	A	50/60 Hz
BIL	kV SIL	kV AC	kV
M	kg L	mm	∇
C1	pF	Tanδ	z
C2	pF	Tanδ	z

tan D <= 0,4%

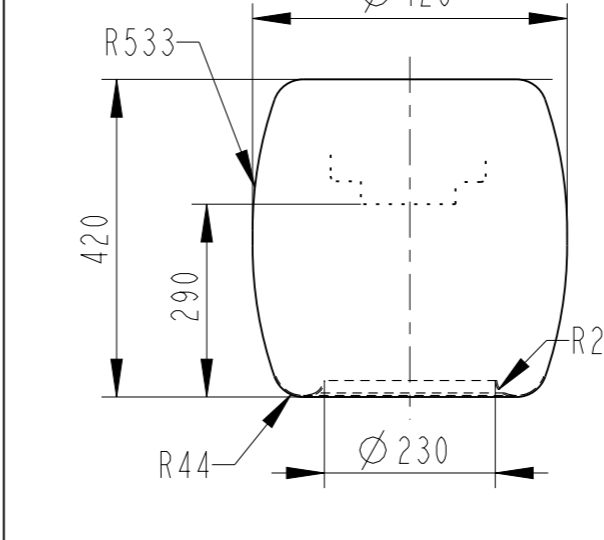
Max. test load Imin 122000 N
 Max. permissible load in operation at mounting angle

6100 N
2900 N

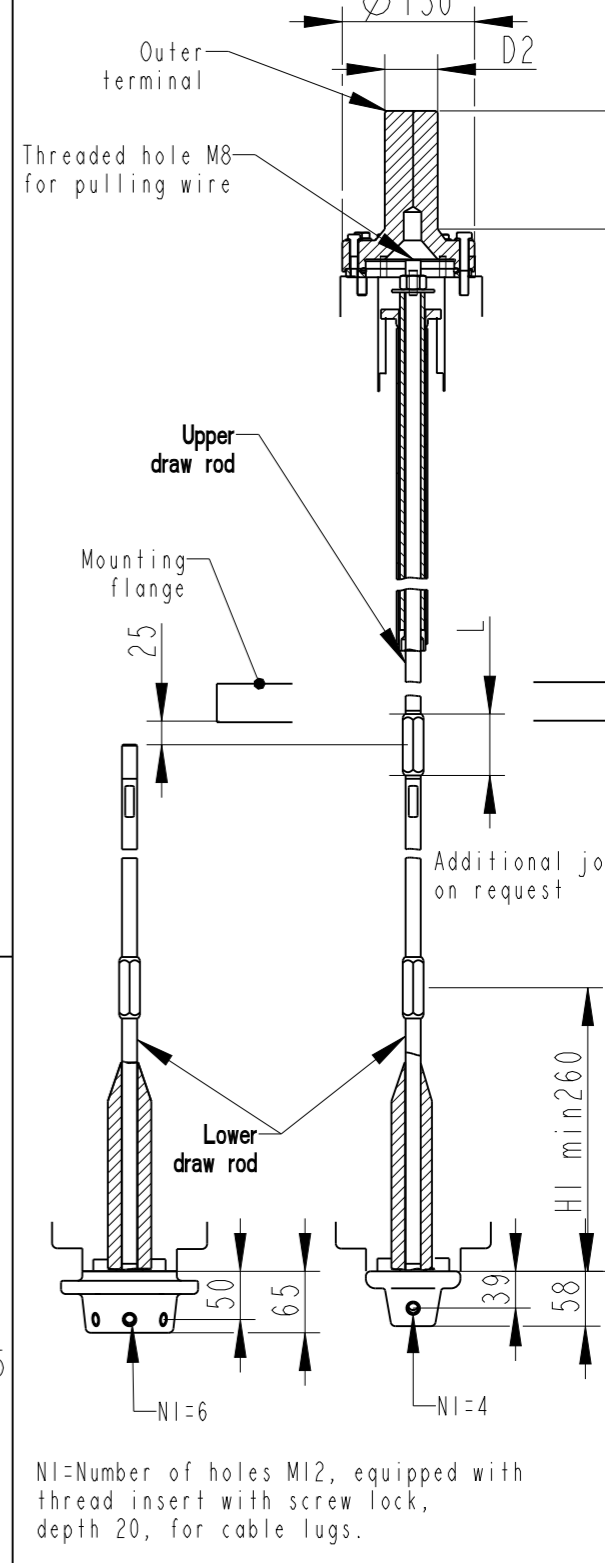
INNER TERMINAL / OUTER TERMINAL



END SHIELD



DRAW ROD SYSTEM / OUTER TERMINAL



NI=Number of holes M12, equipped with thread insert with screw lock, depth 20, for cable lugs.

Prepared	Ali Amin	2010-02-24	Responsible department	PPCO/BK	Title	
Modified by	Balamurugan N	2010-10-13	Take over department		GOE 2550-1675-2500-0.6	
Approved by	Urban Schander	2010-10-15	Used in product		GOE 2550-1675-2500-0.6	
Revision	C Added Note "Position of Oil Sample Valve"			Order		Sheet no. 1
ABB				Document no.	2751369-327	No. Shts. (1)