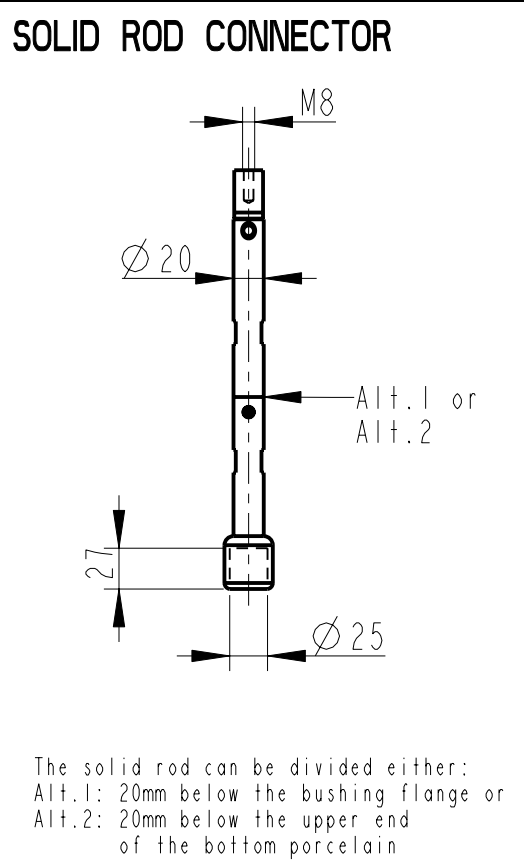
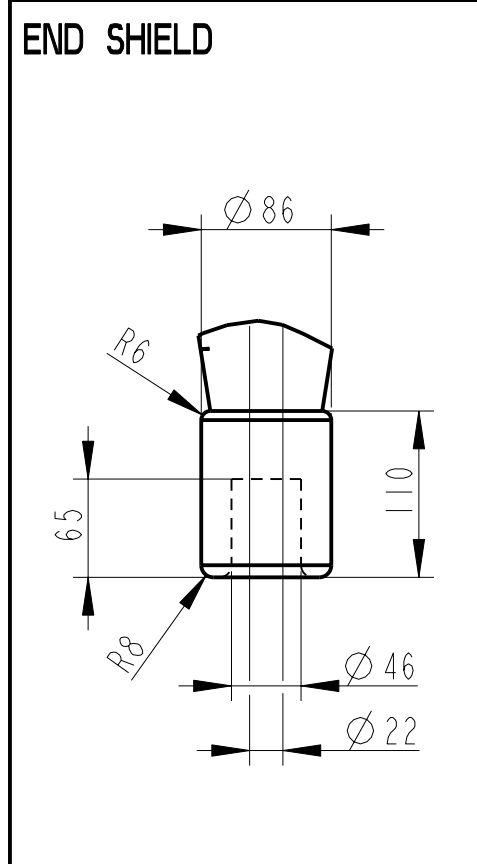
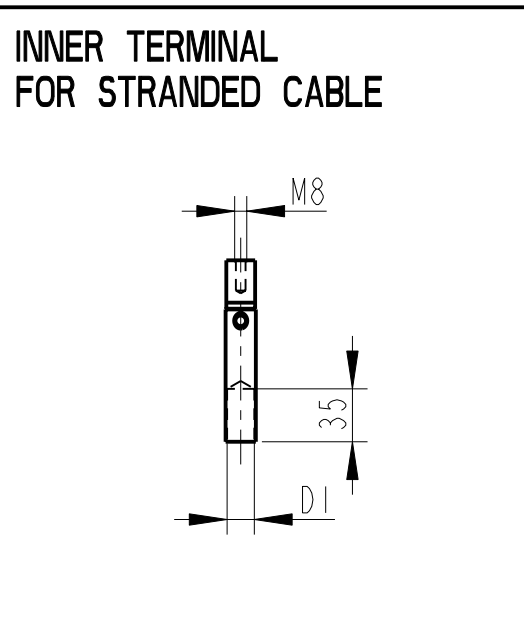
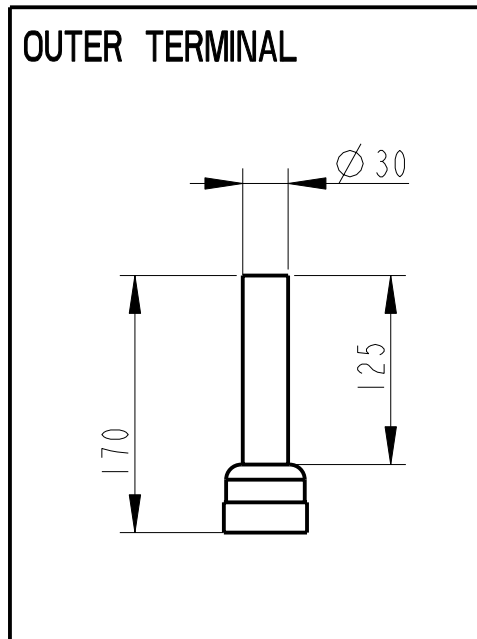
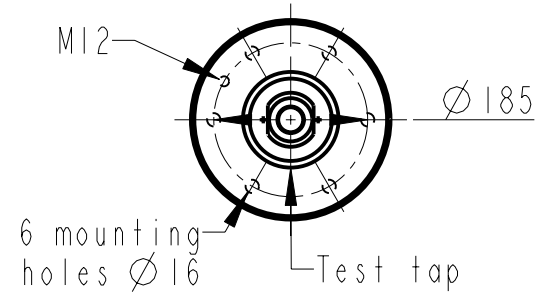
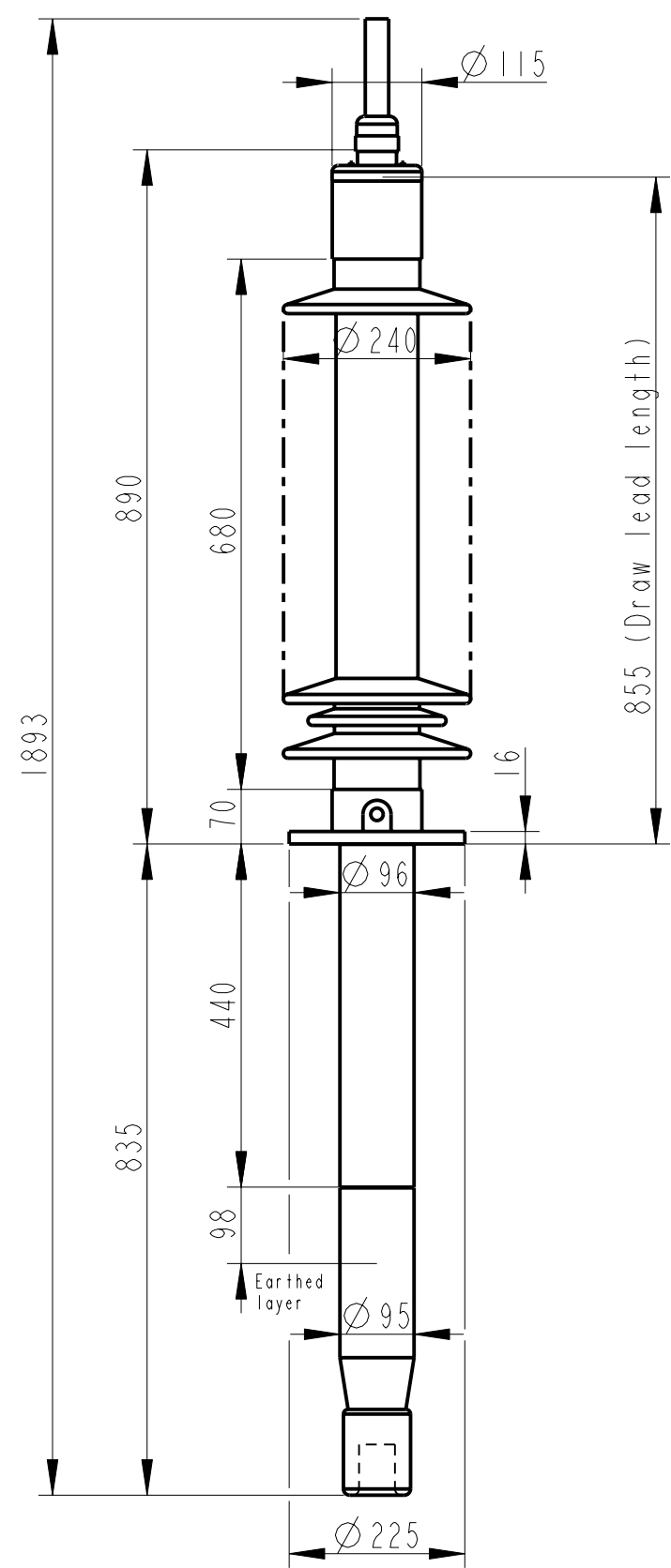


Rev Ind	Revision	Appd	Date
1		TL	01-38



Bushing Data:

Rated Voltage	100	kV
Phase to Ground Voltage	72.5	kV
Dry Lightning Impulse 1,2/50μs	380	kV
Wet power frequency AC	150	kV
Routine test Imin dry 50Hz	162	kV
Rated Current	800	A
Creepage Distance	2210±70	mm
Creepage Distance Protected	870	mm
Mass	39	kg

Ordering Data:

BUSHING	COLOUR AIR INSULATOR	
LF123095-M	BROWN	
-N	LIGHT GREY	
OUTER TERMINAL		
LF 170 002-A	Cu, Ø 30, L=125	
LF 170 001-A	Al, Ø 30, L=125	
OTHER TYPES ON REQUEST		
INNER TERMINAL FOR STRANDED CABLE		
For brazing	Conductor area	D1
LF 170 011-S	up to 150mm ²	Ø18
LF 170 011-U	Undrilled with pilot hole	Ø5
For crimping or brazing	Conductor area	D1
LF 170 010-M	50mm ²	Ø11
LF 170 010-N	70mm ²	Ø13
LF 170 010-L	95mm ²	Ø15
SOLID ROD CONNECTOR		
LF 170 019 -S for Alt.1		
LF 170 019 -P for Alt.2		

ABB Components Ludvika, Sweden	
No.	
Ur-ty	
LI / SI / AC	
M	
C1	
C2	
	kV Ir
	A 50/60 Hz
	kg L mm V
	pF Tan δ
	pF Tan δ

Based on	Reg. No.
Prepared	Responsible department
Approved	Take over department
Design engineering review	Database
ABB ABB Components	

Title	Language
Document No.	Page
GOB 380-800-0.5 WITHOUT OIL LEVEL GAUGE LONG END SHIELD	
82 1(1)	
2751369-132	

We reserve all rights in this document and in the information contained therein. Reproduction, use or disclosure to third parties without express authority is strictly forbidden. ©ABB