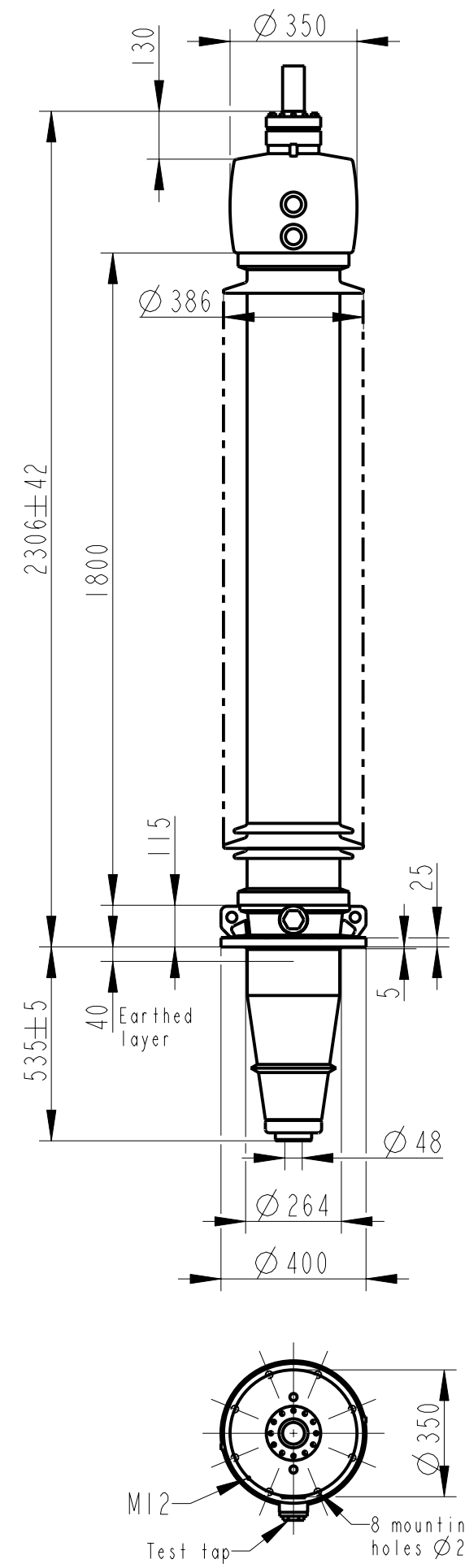


Rev	Ind	Revision	Appd	Date



Bushing Data:

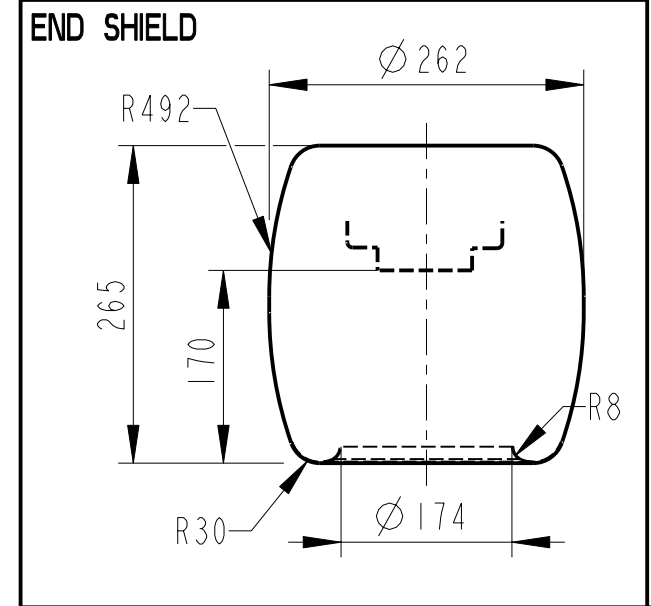
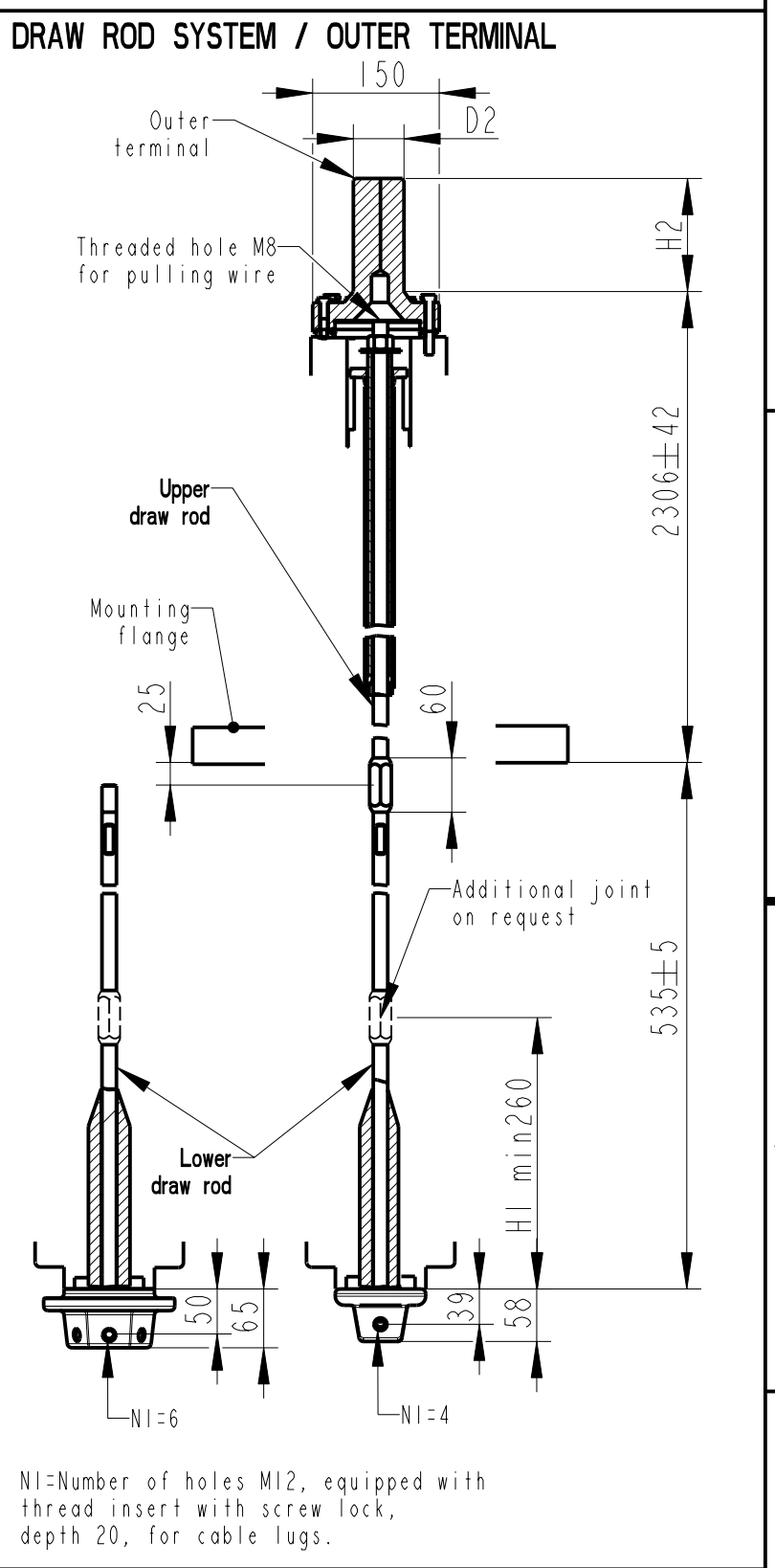
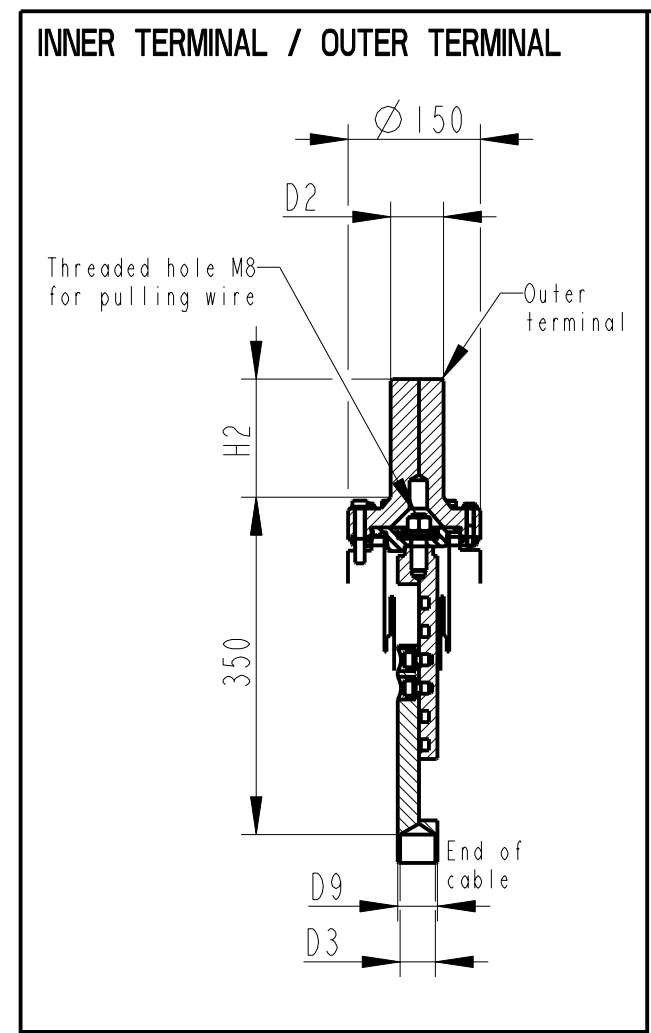
Rated Voltage	245	kV
Phase to-earth Voltage	170	kV
Dry Lightning Impulse 1,2/50µs	950	kV
Wet Switching Impulse	650	kV
Wet Power frequency AC	395	kV
Routine test Imin dry 50Hz	395	kV
Rated Current	3150	A
Creepage Distance	5735	mm
Mass	375	kg

Ordering Data:

BUSHING	COLOUR AIR INSULATOR
LF121055 -E / -AE	BROWN / LIGHT GREY
OUTER TERMINAL	
	H2 D2
	(mm) (mm)
LF170 073-A Al	125 60
LF170 073-B Cu	125 60
LF170 073-G Cu/Ag	125 60
OTHER TYPES ON REQUEST	
END-SHIELD	
LF170 046-U EPOXY INSULATED	
LF170 046-UP INSULATED WITH 3 mm PRESSBOARD	
DRAW ROD SYSTEM	
LF170 059 LOWER DRAW ROD WITH NI=4 OR NI=6	
LF170 057 UPPER DRAW ROD	
INNER TERMINAL	
	D3 D9 Cond.area Current (A)
	(mm) (mm) (mm ²) IEC IEEE
LF170 056-E 0 *)	45 - - -
LF170 056-D	40 45 600 1600 1360

*) WITH PILOT HOLE D=5

ABB Components		Lubika, Sweden	
Ur-ty	Nb		
U	kV	A	50-60 Hz
M	kg	L	mm
C1	pF	Tanδ	z
C2	pF	Tanδ	z



Based on	Reg. No.	Title	GOE-900-650-3150-0
Prepared Lövnord	Responsible department COM/BK 0022		
Approved Johansson	Take over department		Language 82
Design engineering review Gutman	Database		Page 1(1)
ABB Components		Document No.	2751369-59

We reserve all rights in this document and in the information contained therein. Reproduction, use or disclosure to third parties without express authority is strictly forbidden. ©ABB