

Bushing Data:

Rated Voltage	550	kV
Phase to-earth Voltage	318	kV
Dry Lightning Impulse I, 2/50µs	1800	kV
Wet Switching Impulse	1360	kV
Wet Power frequency AC	850	kV
Routine test Imin dry 50Hz	800	kV
Rated Current	2500	A
Creepage Distance	15060	mm
Mass	1850	kg

Ordering Data:

BUSHING	COLOUR AIR INSULATOR	
LF121076 -C / -AC	BROWN / LIGHT GREY	
OUTER TERMINAL	H2 (mm)	D2 (mm)
LF170 073-A Al	125	60
LF170 073-B Cu	125	60
LF170 073-G Cu/Ag	125	60
OTHER TYPES ON REQUEST		

END-SHIELD

LF170 046-V EPOXY INSULATED
 LF170 046-VP INSULATED WITH 3 mm PRESSBOARD

DRAW ROD SYSTEM

LF170 059 LOWER DRAW ROD WITH NI=4 OR NI=6
 LF170 057 UPPER DRAW ROD

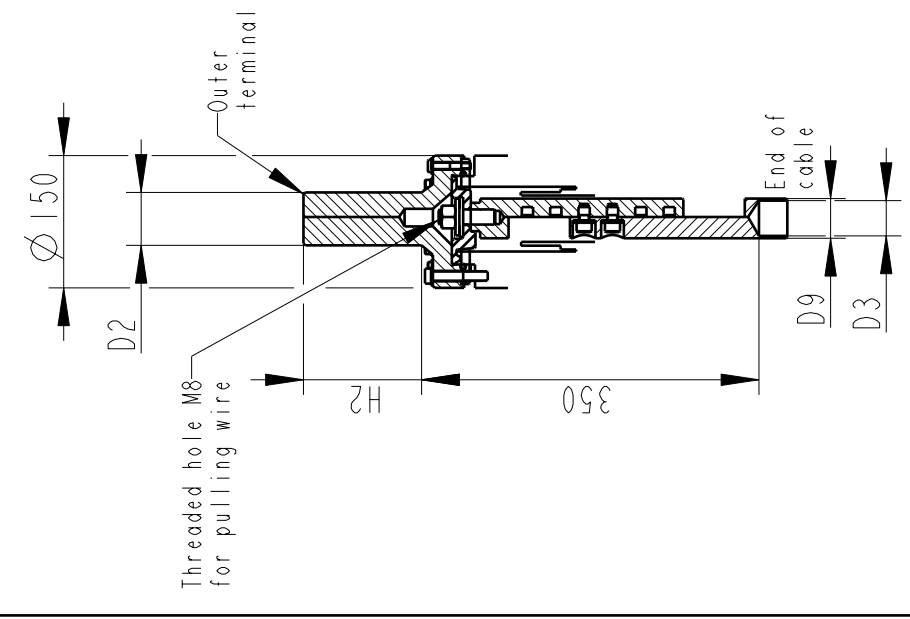
INNER TERMINAL

D3 (mm)	D9 (mm)	Cond. area (mm ²)	Current (A)	IEEC
LF170 056-E O*) 45	45	-	-	-
LF170 056-D 40	45	600	1600	1360

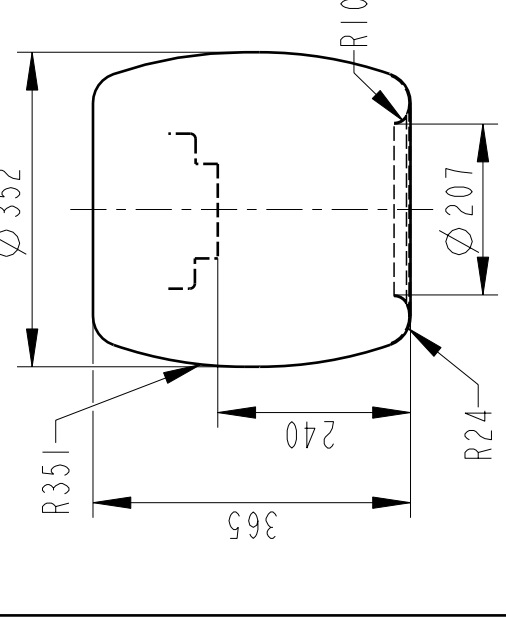
*) WITH PILOT HOLE D=5

ABB Components		Lutiska, Sweden	
No.	kV	A	50/60 Hz
U _{dry}	kV	SI	kV AC
U _w	kV	SI	mm D
M	kg	L	pf
C1	pf	Tanδ	;
C2	pf	Tanδ	;

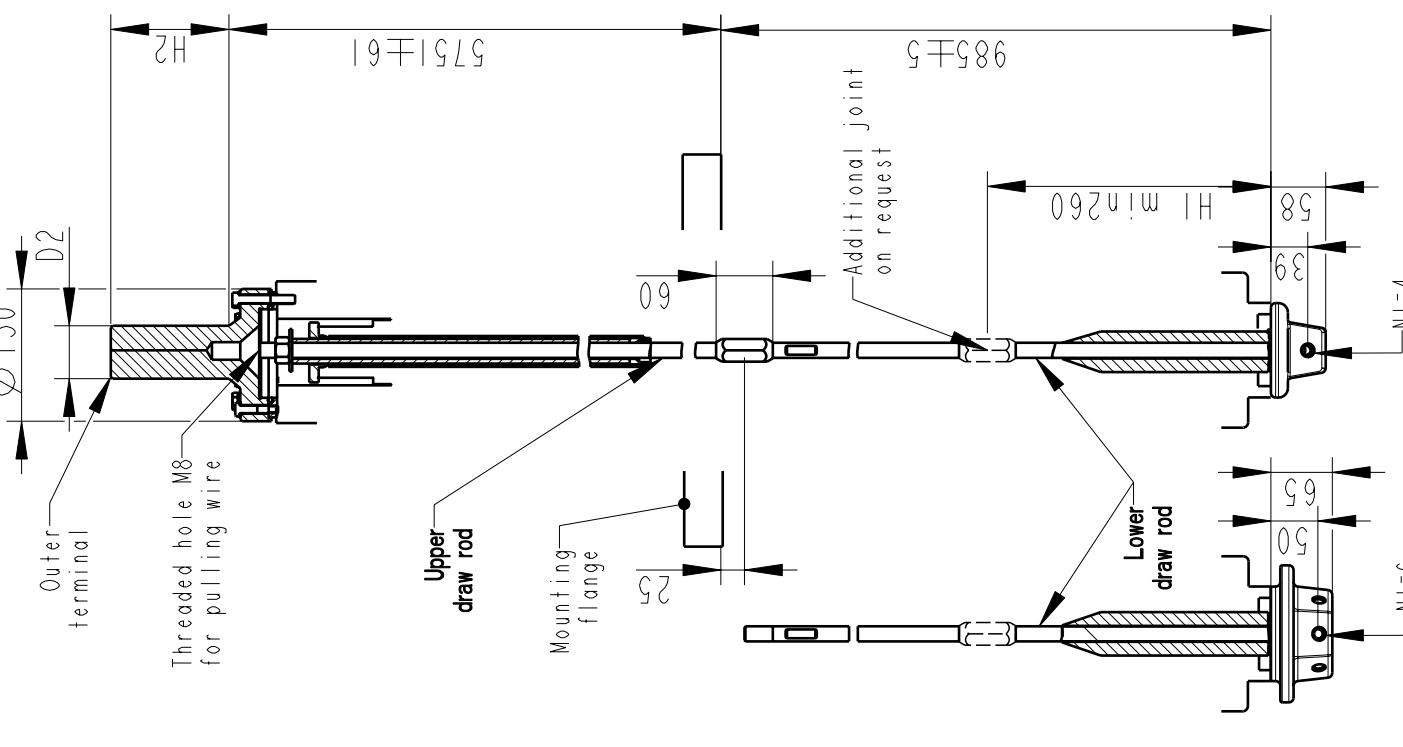
INNER TERMINAL / OUTER TERMINAL



END SHIELD



DRAW ROD SYSTEM / OUTER TERMINAL



NI=Number of holes M12, equipped with thread insert with screw lock, depth 20, for cable lugs.

Based on	Reg. No.	Title
Prepared	Responsible department	GOE-1800-1360-2500-0
Lövnord	COM/BK 0025	
Approved	Take over department	
Johansson	Database	
Design engineering review		
Gutman		
ABB ABB Components		Document No. 2751369-103

Rev Ind	Revision	Appd	Date
5			
6			

We reserve all rights in this document and in the information contained therein. Reproduction, use or disclosure to third parties without express authority is strictly forbidden.
 ©ABB