

Rev. Ind	Revision	Appd	Date
3	Outer terminal -AAD: D2 was 60	PR PK	071227

Bushing Data:

Rated Voltage	550	kV
Phase to-earth Voltage	318	kV
Dry Lightning Impulse 1,2/50µs	1675/1800	kV
Wet Switching Impulse	1300	kV
Wet Power frequency AC	n.a.	kV
Routine test 1min dry 50Hz	750	kV
Rated Current	1250	A
Creepage Distance, nominal	15519	mm
Creepage Distance, minimum	15125	mm
Mass	1530	kg

Ordering Data:

BUSHING	BIL:1675kV	BIL:1800kV	AIR INSULATOR COLOUR/TYPE
IZSC901550 -AAA	-DAA	Test tap	Brown/Porcelain
IZSC901550 -ABA	-DBA	Voltage tap 6kV	Brown/Porcelain
IZSC901550 -BAA	-EAA	Test tap	Light grey/Porcelain
IZSC901550 -BBA	-EBA	Voltage tap	Light grey/Porcelain

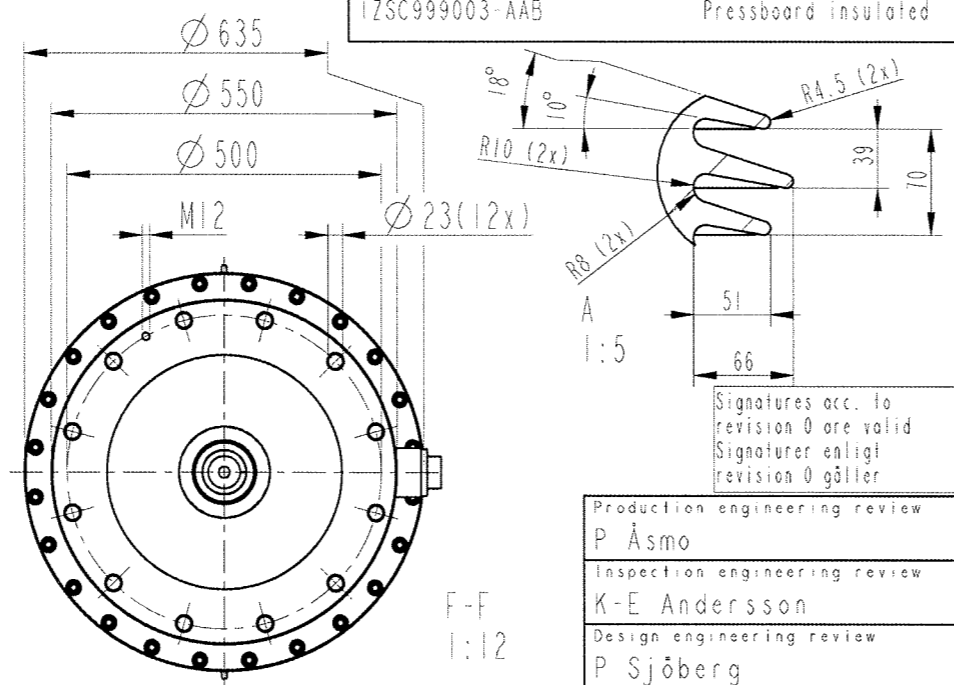
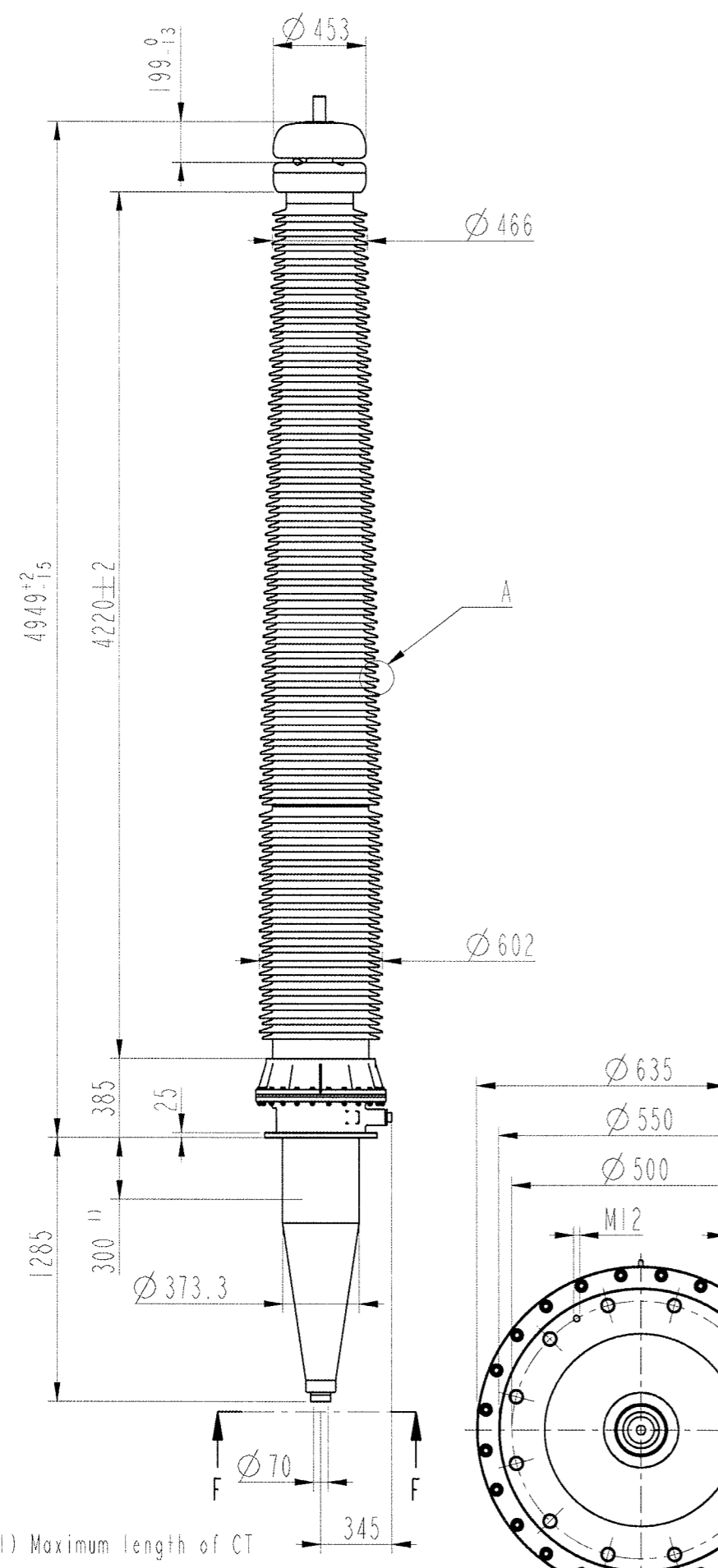
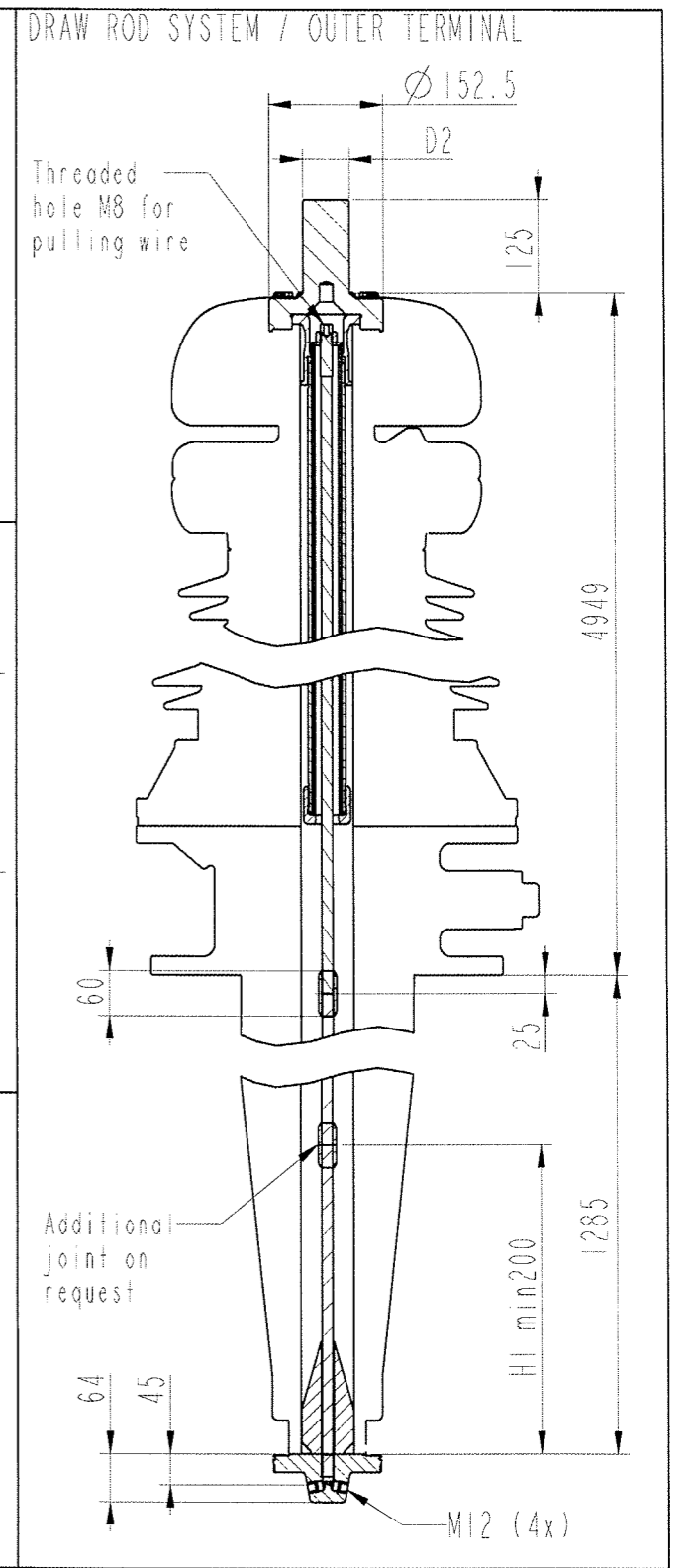
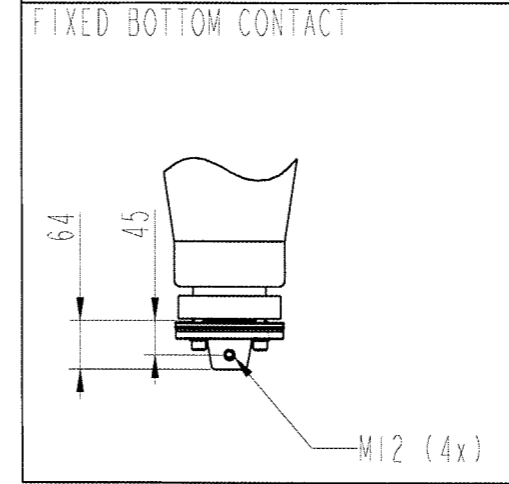
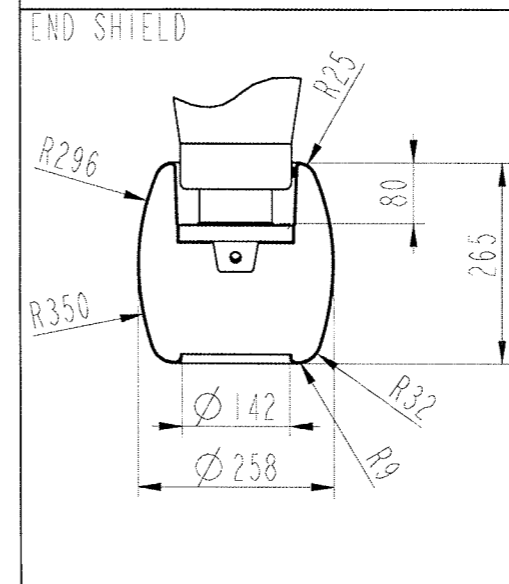
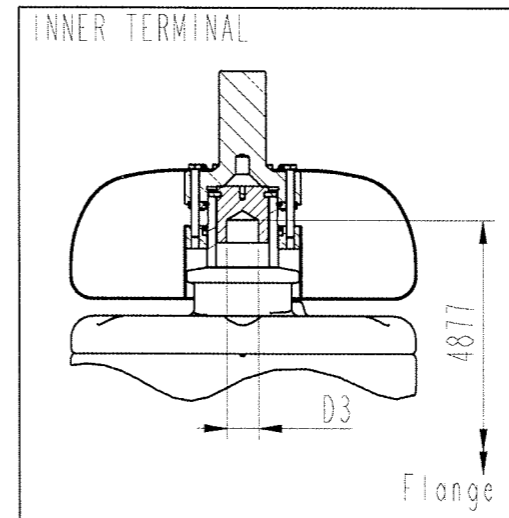
OUTER TERMINAL	MATERIAL	D2 (mm)
IZSC999001-AAA	Al	30
IZSC999001-AAB	Al	60
IZSC999001-AAC	Cu	30
IZSC999001-AAD	Cu	40

DRAW ROD SYSTEM	
IZSC999006	Lower draw rod
IZSC999007	Upper draw rod

INNER TERMINAL	D3 (mm)
IZSC999005-AAA	15
IZSC999005-AAB	30
IZSC999005-AAC	40
IZSC999005-AAD	42

FIXED BOTTOM CONTACT	
IZSC999002-AAA	

END SHIELD	
IZSC999003-AAA	Epoxy insulated
IZSC999003-AAB	Pressboard insulated



We reserve all rights in this document and in the information contained therein. Reproduction, use or disclosure to third parties without express authority is strictly forbidden. ©ABB

Based on	Reg. No.	Title	Language
Prepared P Runnholm 0604	Responsible department PTPR/CO/BD	GSB 550/1250/0,3	
Production engineering review P Åsmo	Approved R Hedlund	Take over department	Page
Inspection engineering review K-E Andersson	Revision	Database ***	1(1)
Design engineering review P Sjöberg	Document No. 2751377-7		

