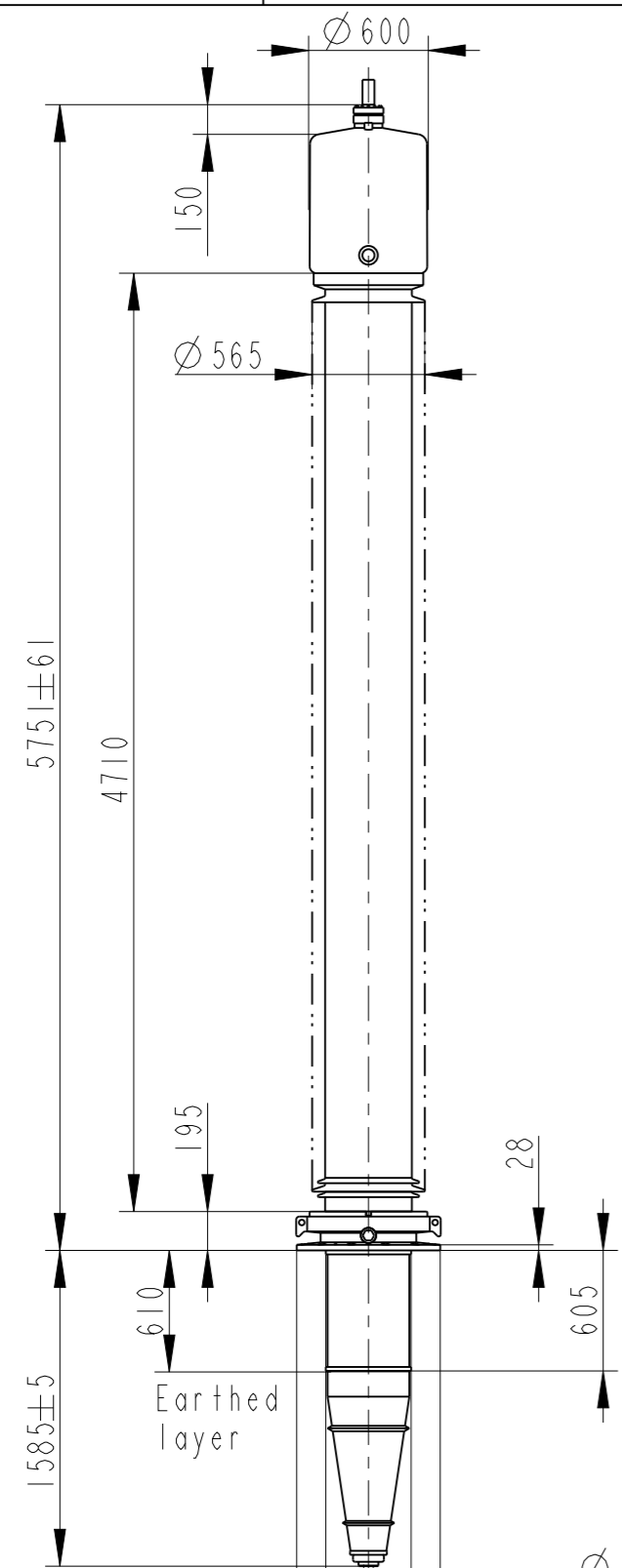


This document is issued by means of a computerized system. The digitally stored original is electronically approved. The approved document has a date entered in the "Approved"-field. A manual signature is not required.

The information contained in this document has to be kept strictly confidential. Any unauthorized use, reproduction, distribution or disclosure to third parties are strictly forbidden. ABB reserves all rights regarding Intellectual Property Rights. © Copyright 2010 ABB. All rights reserved.

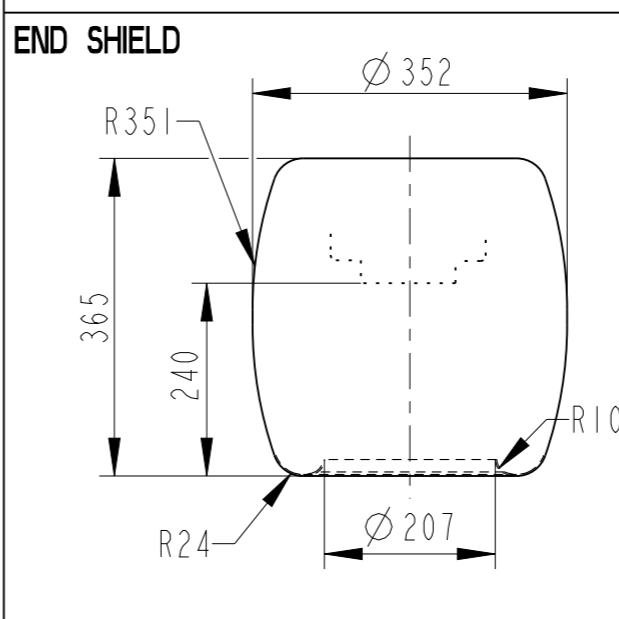
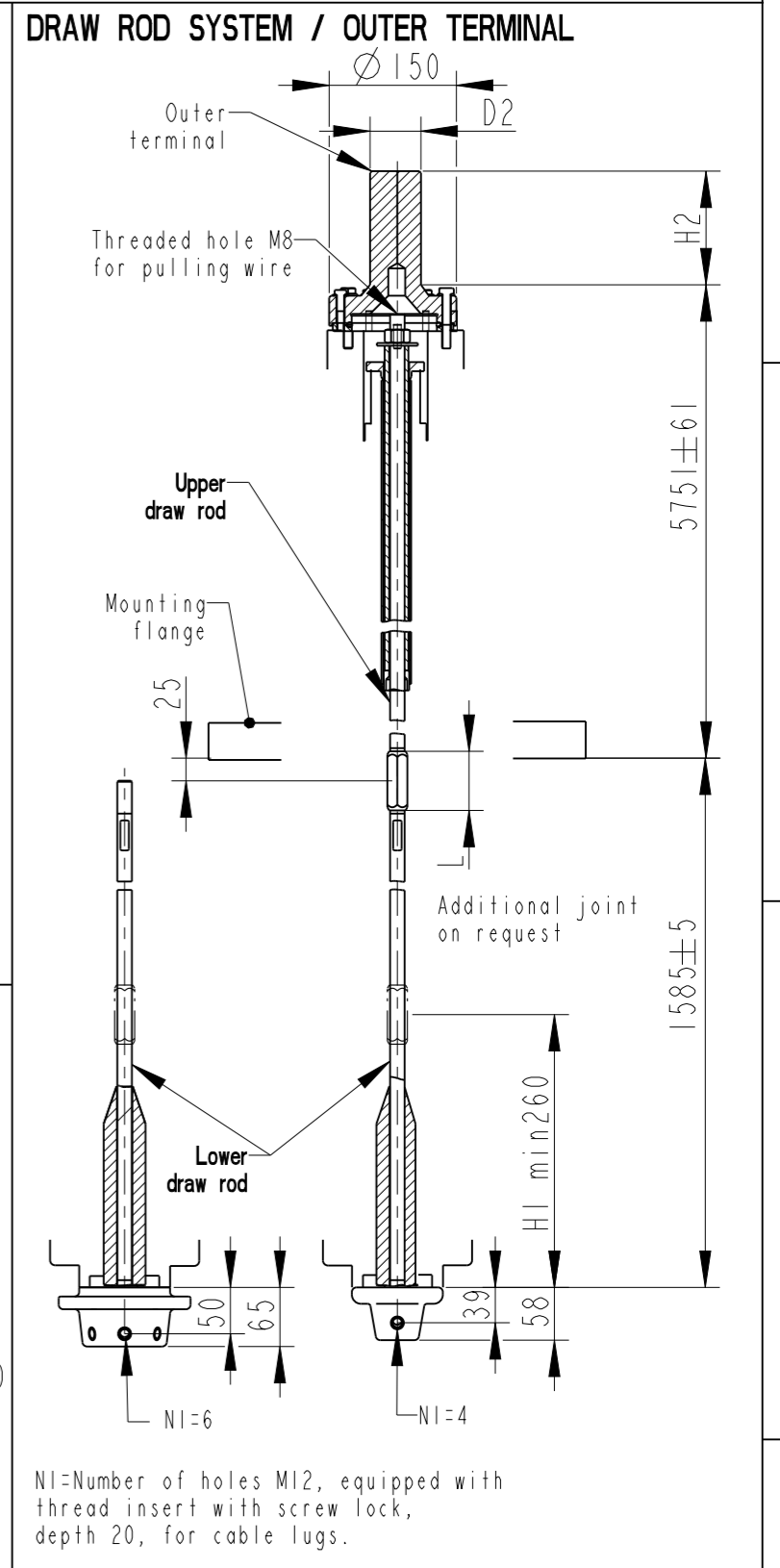
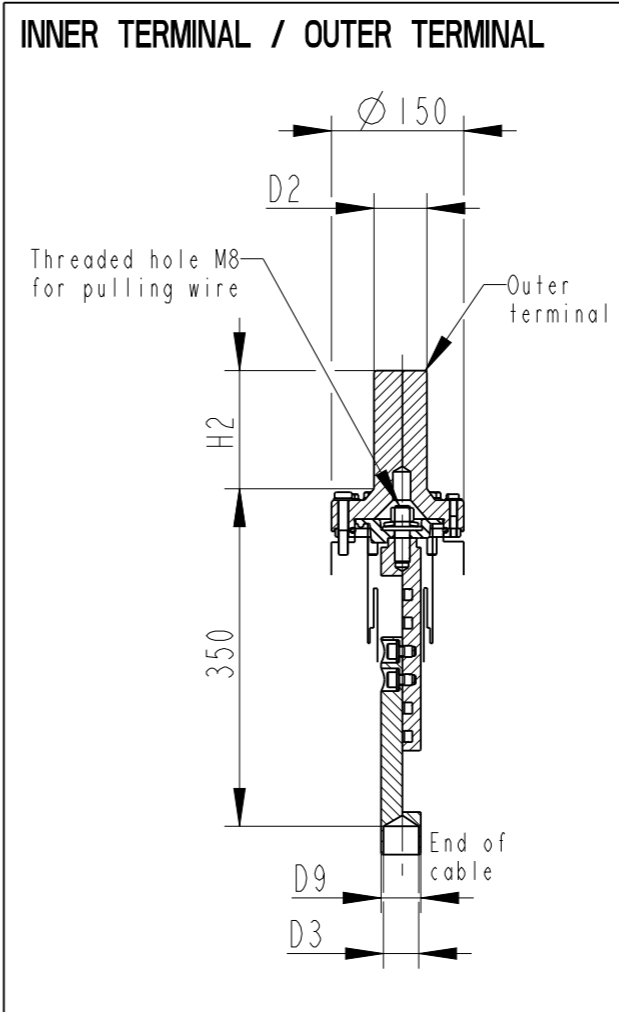
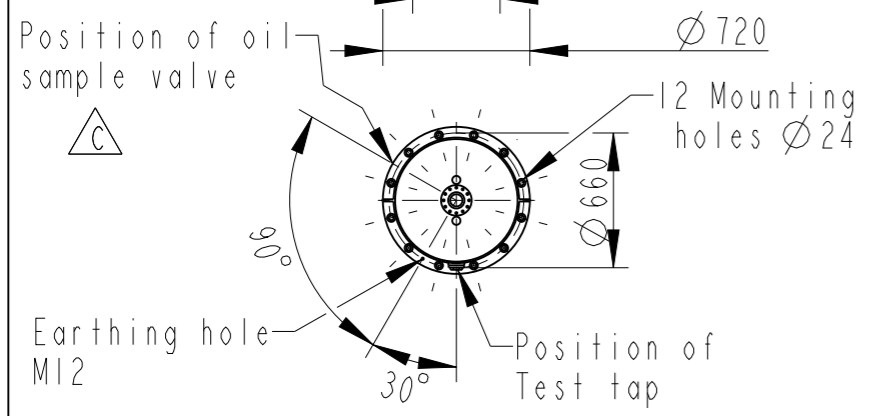


Bushing Data:		
Rated Voltage	550	kV
Phase to-earth Voltage	318	kV
Dry Lightning Impulse 1,2/50µs	1550	kV
Wet Switching Impulse	1175	kV
Wet Power frequency AC	750	kV
Routine test Imin dry 50Hz	750	kV
Rated Current	2500	A
Creepage Distance	18020	mm
Mass	1785	kg

Ordering Data:			
<b>BUSHING</b>		COLOUR AIR INSULATOR	
IZSC902550-AAB		BROWN	
OUTER TERMINAL			
		Max. Rated H2	D2
		Current (A)	(mm)
LF170 073-A	Al	2500	125 60
LF170 073-B	Cu	4000	125 60
LF170 073-G	Cu/Ag	4000	125 60
LF170 073-L	Cu/Sn	4000	125 60
LF170 073-BA	Cu/Ag	3000	125 2"-12UN
LF170 073-AA	Cu	5000	125 96
END-SHIELD			
LF170 046-V	EPOXY INSULATED		
LF170 046-VP	INSULATED WITH 3 mm PRESSBOARD		
DRAW ROD SYSTEM			
LF170 059-DC OR-AT	LOWER DRAW ROD WITH NI=4 OR NI=6		
LF170 057-AC	UPPER DRAW ROD		
INNER TERMINAL			
	D3	D9	Cond.area
	(mm)	(mm)	(mm <sup>2</sup> )
			Current (A)
			IEC
			IEEE
LF170 056-E	0 *	45	-
LF170 056-D	40	45	600
			1600
			1360

\*) WITH PILOT HOLE D=5

ABB		Lubika, Sweden	
No.	Um/Uy	kV Ir	A 50/60 Hz
BIL	kV	SIL	kV AC
M	kg	L	mm D
C1	pF	Tanδ	z
C2	pF	Tanδ	z



NI=Number of holes M12, equipped with thread insert with screw lock, depth 20, for cable lugs.

Prepared	Ali Amin	2010-02-24	Responsible department	PPCO/BK	Title	
Modified by	Palpandi K	2010-10-13	Take over department		GOE 1550-1175-2500-0.6	
Approved by	Urban Schander	2010-10-15	Used in product		GOE 1550-1175-2500-0.6	
Revision	C Added note "Position of oil sample valve"			Order		
Document no.				2751369-322	No. Shts.	(1)

