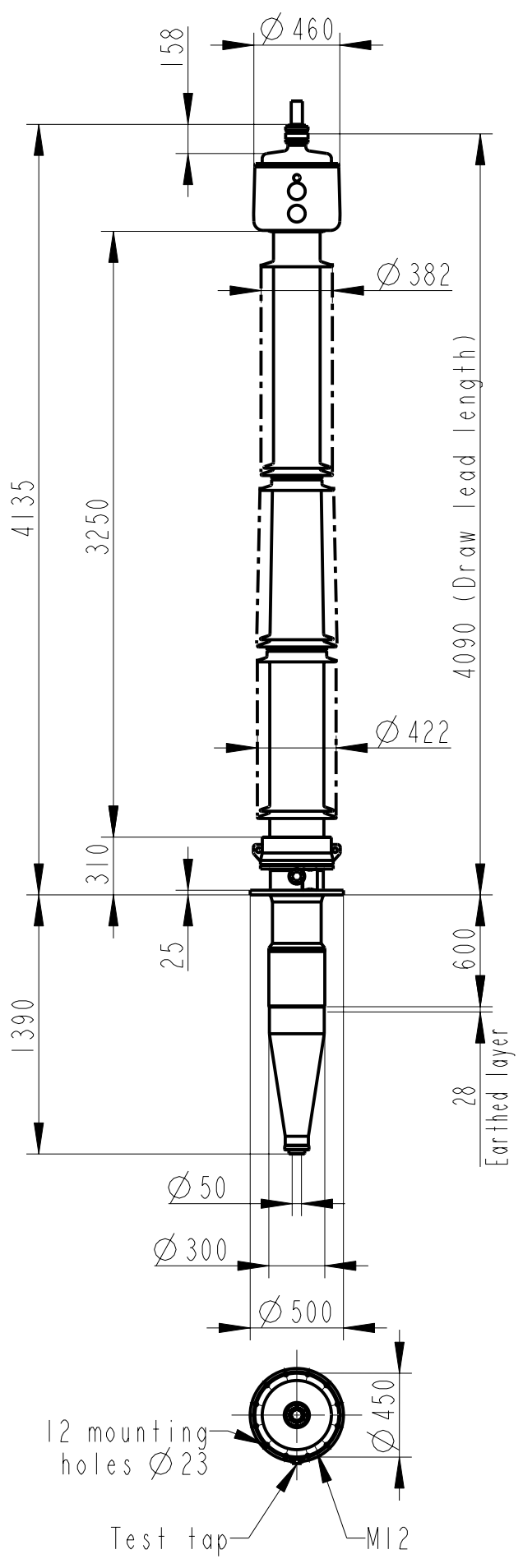


Rev Ind	Revision	Appd	Date
2	Updated	MG	05 08



Bushing Data:

Rated Voltage	420 kV
Phase to-earth Voltage	243 kV
Dry Lightning Impulse 1,2/50µs	1425 kV
Wet Switching Impulse	1050 kV
Wet Power frequency AC	690 kV
Routine test 1min dry 50Hz	690 kV
Rated Current	1600 A
Creepage Distance Nominal	11750 mm
Creepage Distance Minimum	11400 mm
Mass	770 kg

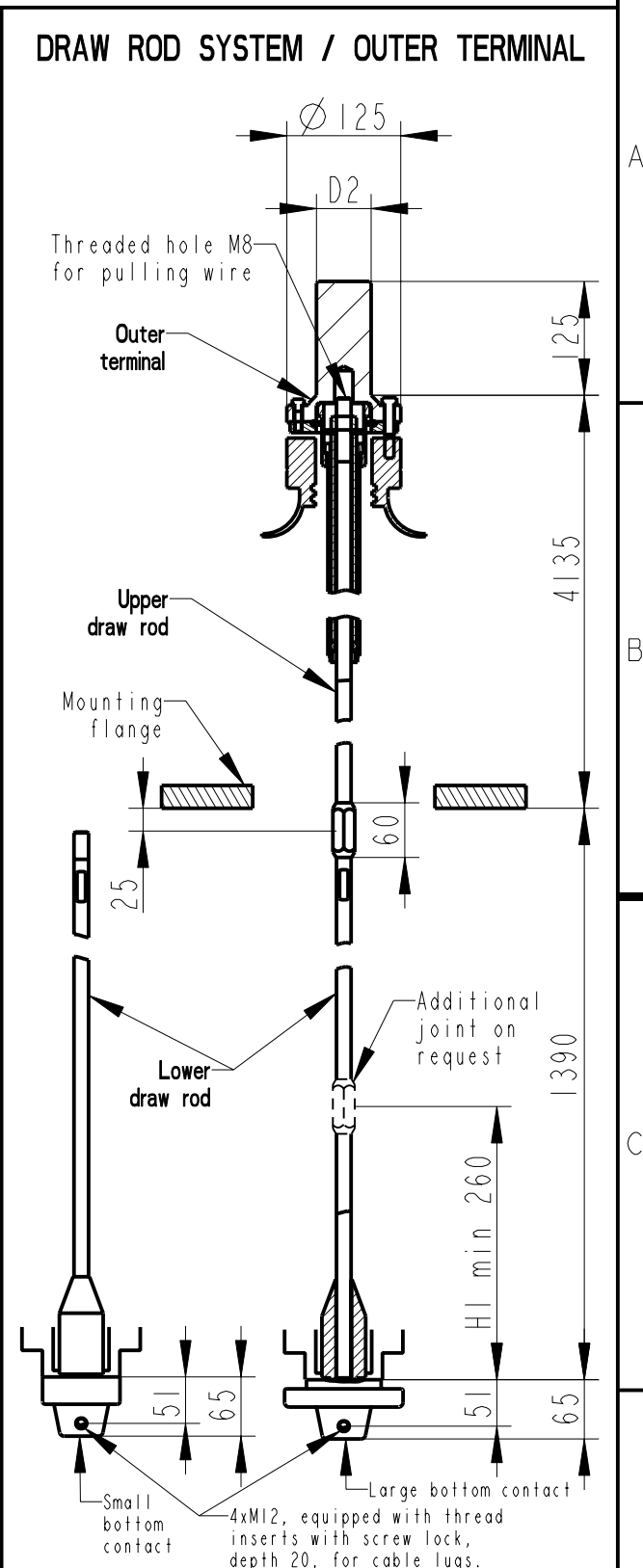
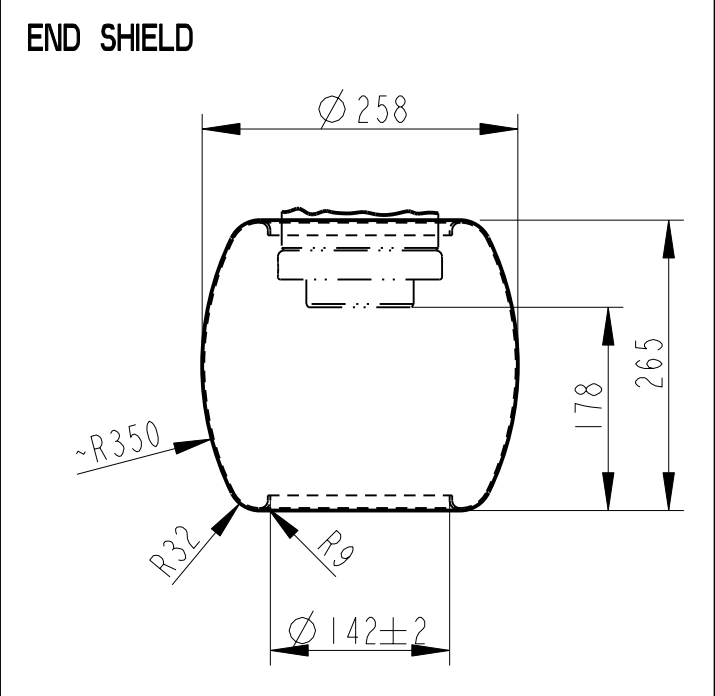
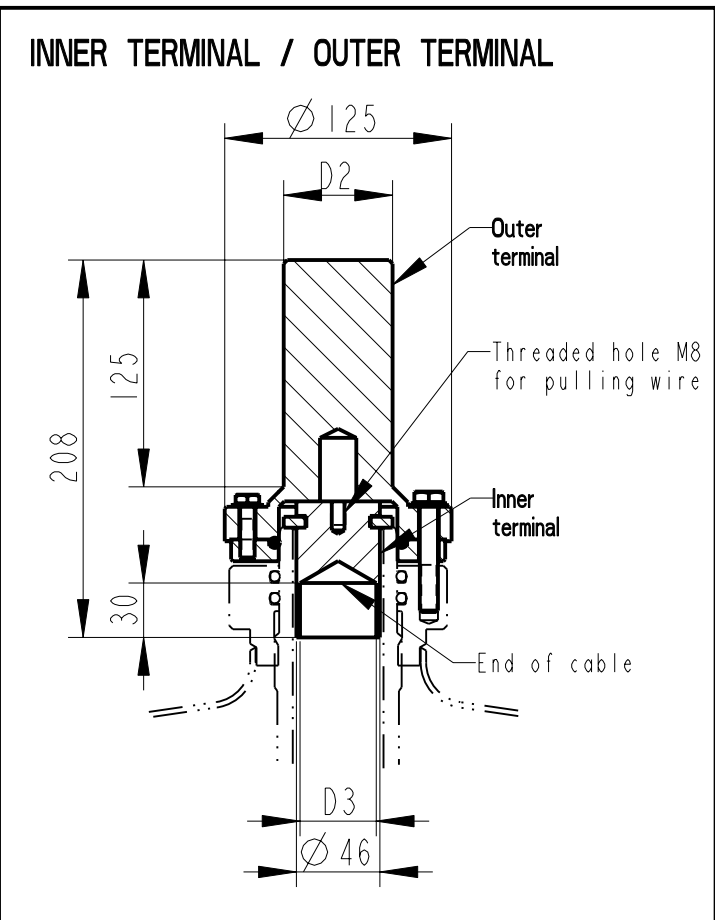
Ordering Data:

BUSHING	COLOUR AIR INSULATOR
LF121 570 -A / -AA	Brown / Light Grey
DRAW ROD SYSTEM	
LF170 097	UPPER DRAW ROD
LF170 098	LOWER DRAW ROD
OUTER TERMINAL	Material D2(mm)
LF170 090-A	Al Ø30
LF170 090-B	Al Ø60
LF170 090-C	Cu Ø30
LF170 090-D	Cu Ø40
LF170 090-E	Cu Ø60
INNER TERMINAL	D3 (mm) Cond.area (mm ²)
LF170 091-A	Undrilled with pilot hole Ø5
LF170 091-B	Ø15 up to 95
LF170 091-C	Ø30 up to 285
LF170 091-D	Ø42 up to 740
END SHIELD	
LF170 092-K	Epoxy insulated
LF170 092-L	Insulated with 3mm pressboard

ABB Ludvika, Sweden

Um/Uy	No.	kV Ir	A	50/60 Hz
LI		kV SI	kV AC	kV
M		kg L	mm	▷
C1		pF Tanδ		z
C2		pF Tanδ		z

Signatures acc. to revision 2 are valid
Signaturer enligt revision 2 gäller



Based on	Reg. No.	Title	GOE(2)-1425-1050-1600-0.6
Prepared M Gullo	05 08	Responsible department PTPR/CO/BLK	
Approved R Johansson		Take over department	Language EN
Design engineering review M Carlsson		Database	Page 1(1)
Document No.			2751400-3

We reserve all rights in this document and in the information contained therein. Reproduction, use or disclosure to third parties without express authority is strictly forbidden. ©ABB