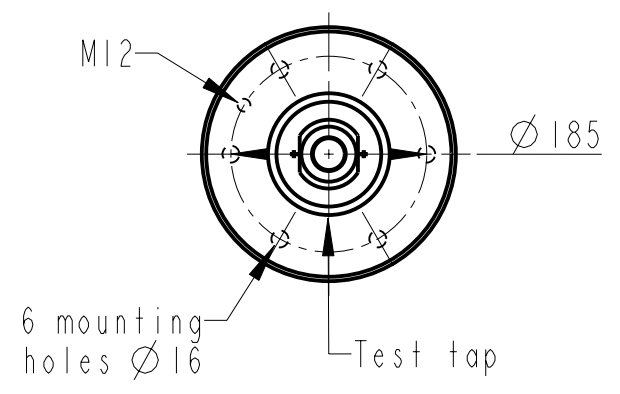
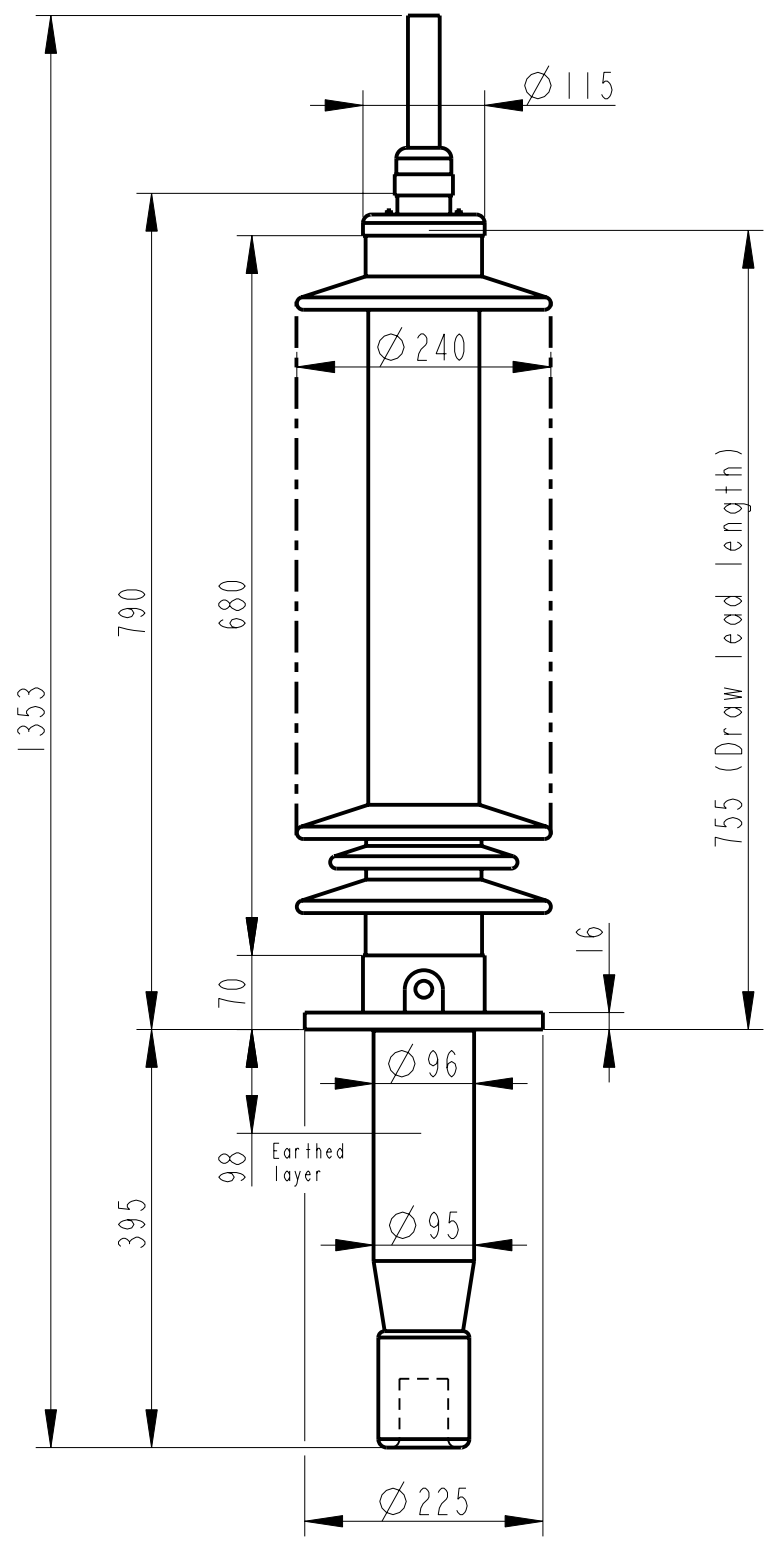
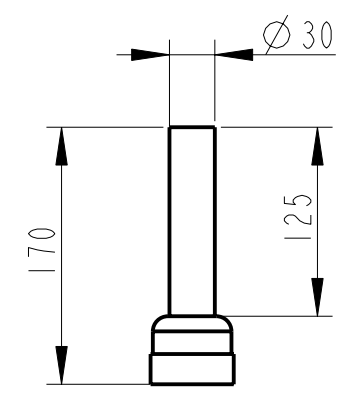


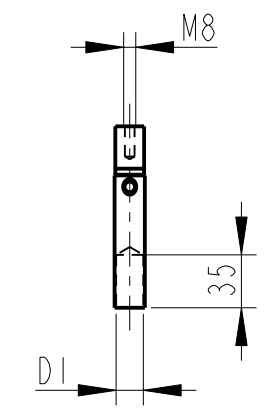
Rev	Ind	Revision	Appd	Date
1			TL	01-38



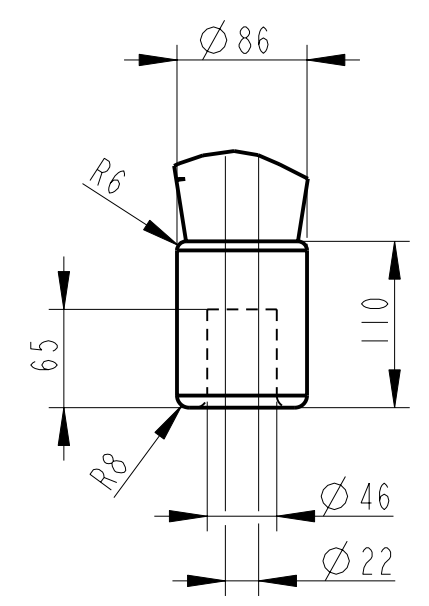
OUTER TERMINAL



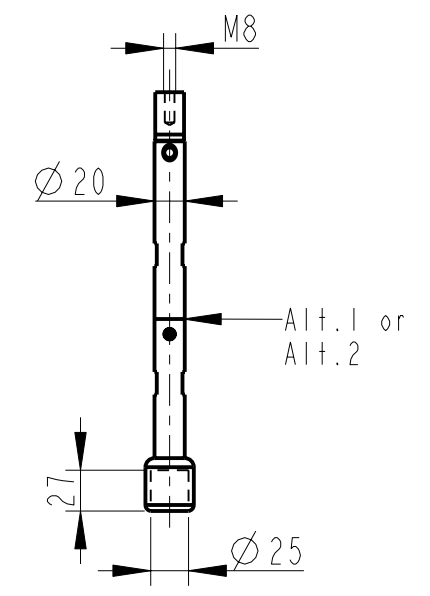
INNER TERMINAL FOR STRANDED CABLE



END SHIELD



SOLID ROD CONNECTOR



The solid rod can be divided either:
 Alt.1: 20mm below the bushing flange or
 Alt.2: 20mm below the upper end of the bottom porcelain

Bushing Data:

Rated Voltage	100	kV
Phase to Ground Voltage	72.5	kV
Dry Lightning Impulse I, 2/50µs	380	kV
Wet power frequency AC	150	kV
Routine test I min dry 50Hz	162	kV
Rated Current	800	A
Creepage Distance	2210±70	mm
Creepage Distance Protected	870	mm
Mass	33	kg

Ordering Data:

BUSHING	COLOUR AIR INSULATOR
LF123037-M	BROWN
-N	LIGHT GREY
OUTER TERMINAL	
LF 170 002-A	Cu, Ø 30, L=125
LF 170 001-A	Al, Ø 30, L=125
OTHER TYPES ON REQUEST	
INNER TERMINAL FOR STRANDED CABLE	
For brazing	Conductor area D1
LF 170 011-S	up to 150mm ² Ø18
LF 170 011-U	Undrilled with pilot hole Ø5
For crimping or brazing	Conductor area D1
LF 170 010-M	50mm ² Ø11
LF 170 010-N	70mm ² Ø13
LF 170 010-L	95mm ² Ø15
SOLID ROD CONNECTOR	
LF 170 019 -M for Alt.1	
N/A for Alt.2	

ABB Components Ludvika, Sweden	
No.	
Ur-ty	kV Ir A 50/60 Hz
LI / SI / AC	
M	kg L mm V
C1	pF Tan δ
C2	pF Tan δ

Based on	Reg. No.
Prepared	Responsible department
Lövnord	COM/BK 0036
Approved	Take over department
Johansson	
Design engineering review	Database
Gudmundsson	
ABB ABB Components	

Title	GOB 380-800-0
	WITHOUT OIL LEVEL GAUGE
	LONG END SHIELD
Language	82
Page	1(1)
Document No.	2751369-128

We reserve all rights in this document and in the information contained therein. Reproduction, use or disclosure to third parties without express authority is strictly forbidden. ©ABB