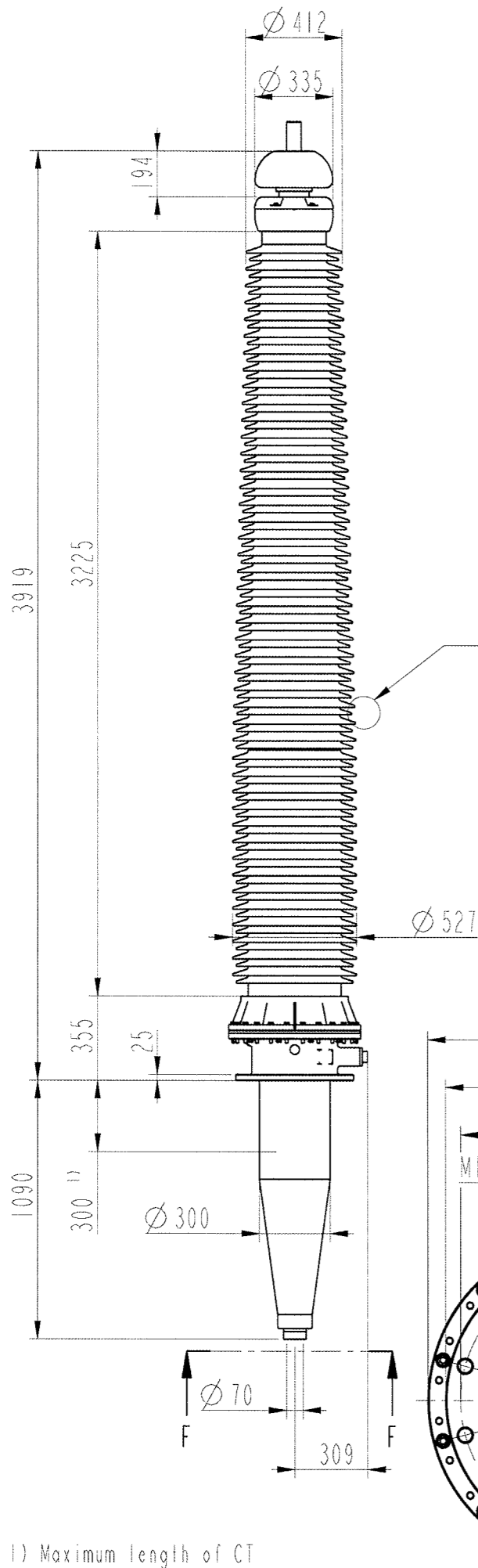


We reserve all rights in this document and in the information contained herein. Reproduction, use or disclosure to third parties without express authority is strictly forbidden. ©ABB



Bushing Data:

Rated Voltage	420	kV
Phase to-earth Voltage	243	kV
Dry Lightning Impulse 1,2/50µs	1550	kV
Wet Switching Impulse	1050	kV
Wet Power frequency AC	n.a.	kV
Routine test lmin dry 50Hz	693	kV
Rated Current	1600	A
Creepage Distance, nominal	11852	mm
Creepage Distance, minimum	11550	mm
Mass	940	kg

Ordering Data:

BUSHING	TEST TAP	AIR INSULATOR COLOUR/TYPE
IZSC901420-AAA	Test tap	Brown/Porcelain
IZSC901420-ABA	Voltage tap 6kV	Brown/Porcelain
IZSC901420-BAA	Test tap	Light grey/Porcelain
IZSC901420-BBA	Voltage tap 6kV	Light grey/Porcelain

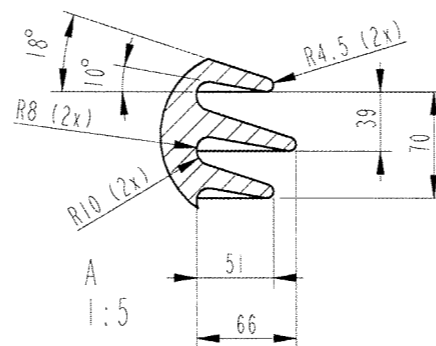
OUTER TERMINAL	MATERIAL	D2 (mm)
IZSC999001-AAA	Al	30
IZSC999001-AB	Al	60
IZSC999001-AAC	Cu	30
IZSC999001-AAD	Cu	40

DRAW ROD SYSTEM		
IZSC999006	Lower draw rod	
IZSC999007	Upper draw rod	

INNER TERMINAL	D3 (mm)
IZSC999005-AAA	15
IZSC999005-AB	30
IZSC999005-AAC	40
IZSC999005-AAD	42

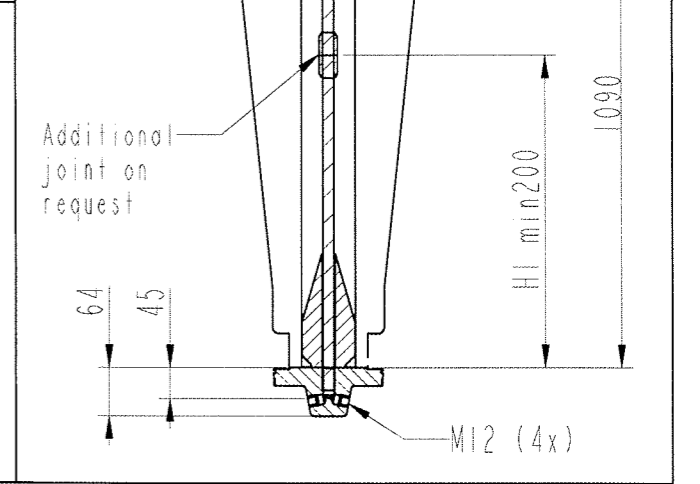
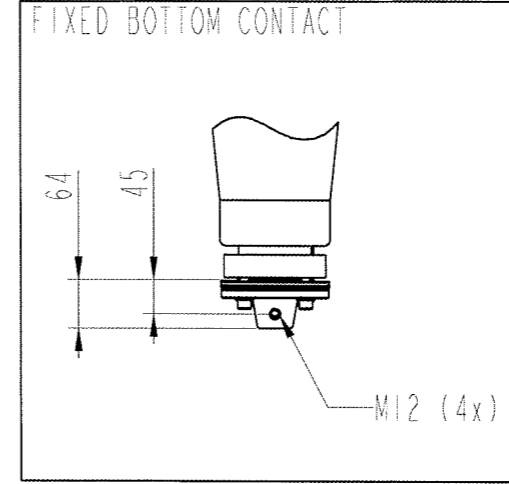
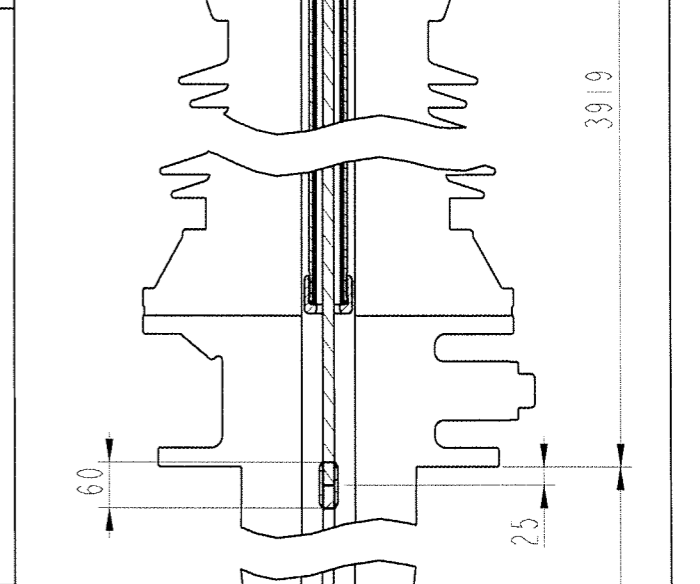
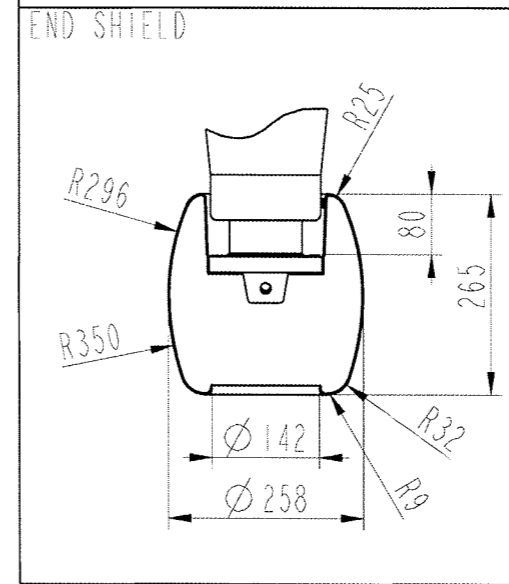
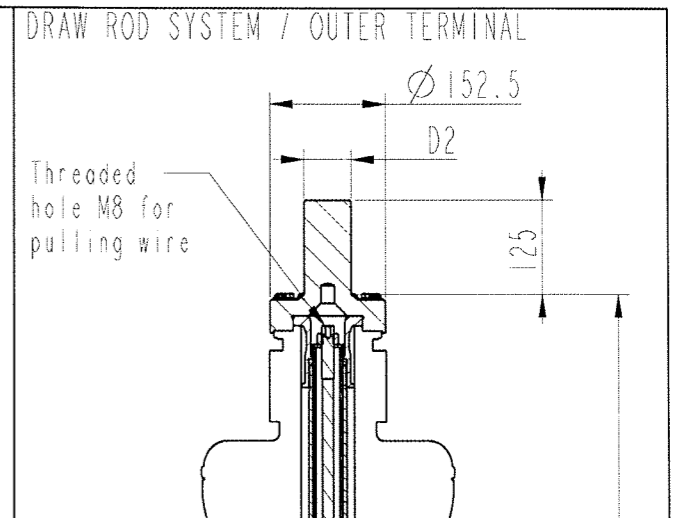
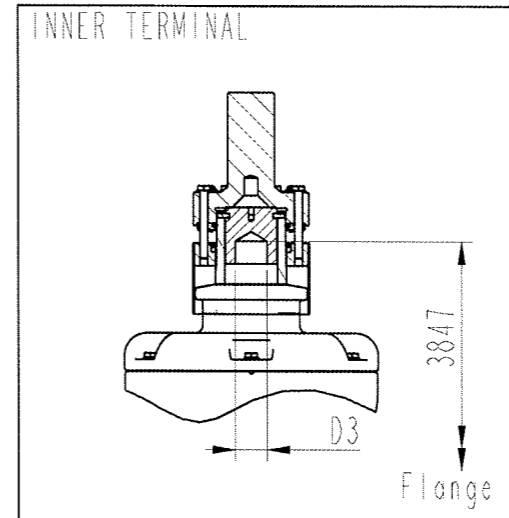
FIXED BOTTOM CONTACT	
IZSC999002-AAA	

END SHIELD	
IZSC999003-AAA	Epoxy insulated



1) Maximum length of CT

Rev Ind	Revision	Appd	Date
3	Outer terminal -AAD: D2 was 60	PR	071227



Signatures acc. to revision 0 are valid
Signaturer enligt revision 0 gäller

Production engineering review	Approved
F Petrici	R Johansson
Inspection engineering review	Revision
K-E Andersson	
Design engineering review	
P Sjöberg	

Based on	Reg. No.
Prepared	Responsible department
P Runnholm	PTTR/CO/BI 0450
Approved	Take over department
R Johansson	
Revision	Database

Title	Language
GSB 420/1600/0,3	82
Page	1(1)
Document No.	2751377-5

