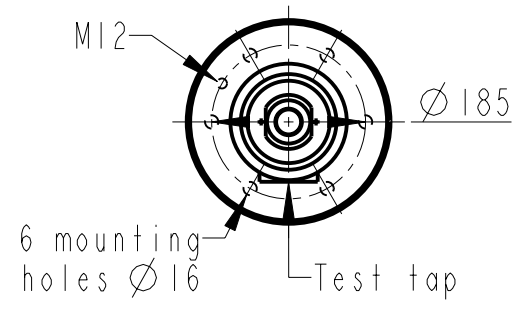
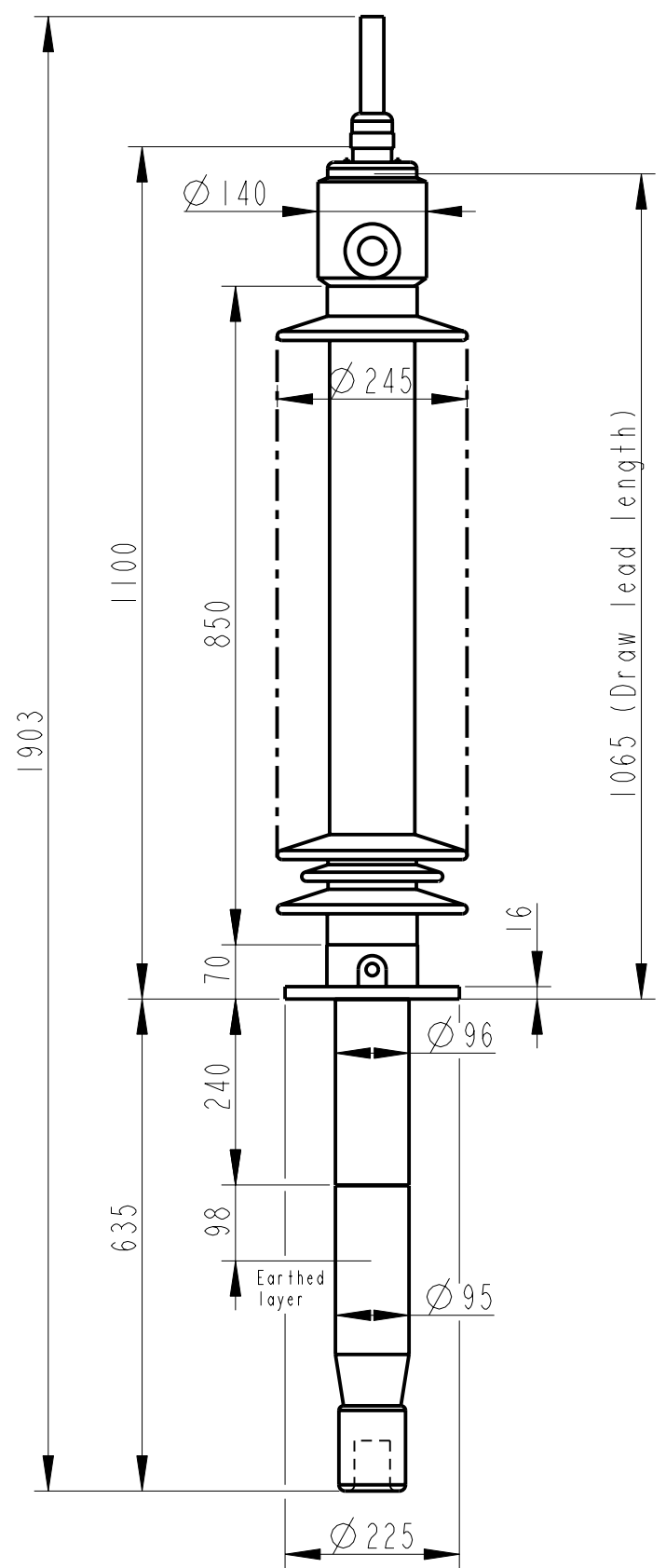
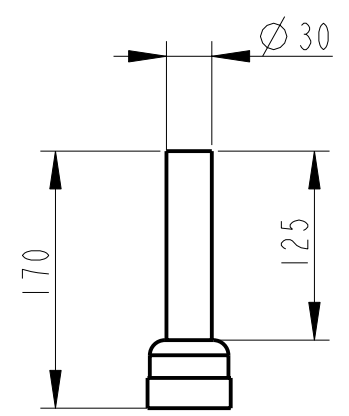


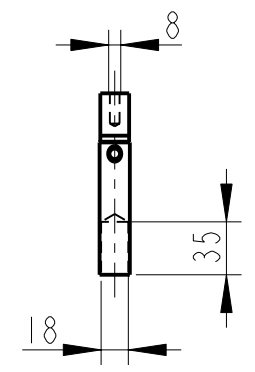
Rev	Ind	Revision	Appd	Date
1			TL	01-38



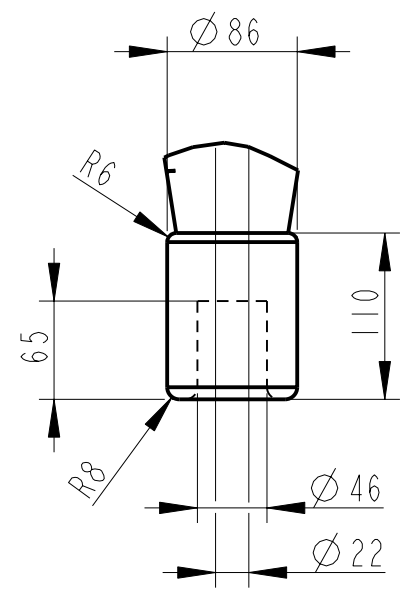
**OUTER TERMINAL**



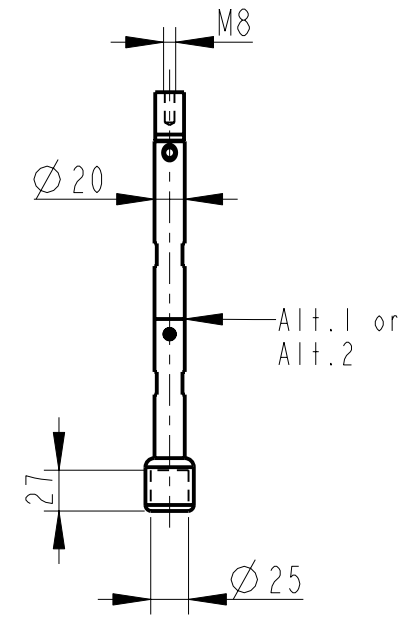
**INNER TERMINAL FOR STRANDED CABLE**



**END SHIELD**



**SOLID ROD CONNECTOR**



The solid rod can be divided either:  
 Alt.1: 20mm below the bushing flange or  
 Alt.2: 20mm below the upper end of the bottom porcelain

**Bushing Data:**

Rated Voltage	123	kV
Phase to Ground Voltage	90	kV
Dry Lightning Impulse 1,2/50μs	450	kV
Wet power frequency AC	185	kV
Routine test Imin dry 50Hz	195	kV
Rated Current	800	A
Creepage Distance	2720±80	mm
Creepage Distance Protected	1060	mm
Mass	46	kg

**Ordering Data:**

<b>BUSHING</b>	COLOUR AIR INSULATOR	
LF123147-M	BROWN	
-N	LIGHT GREY	
<b>OUTER TERMINAL</b>		
LF 170 002-A	Cu, Ø 30, L=125	
LF 170 001-A	Al, Ø 30, L=125	
OTHER TYPES ON REQUEST		
<b>INNER TERMINAL FOR STRANDED CABLE</b>		
<b>For brazing</b>	Conductor area	D1
LF 170 011-S	up to 150mm <sup>2</sup>	Ø18
LF 170 011-U	Undrilled with pilot hole	Ø5
<b>For crimping or brazing</b>	Conductor area	D1
LF 170 010-M	50mm <sup>2</sup>	Ø11
LF 170 010-N	70mm <sup>2</sup>	Ø13
LF 170 010-L	95mm <sup>2</sup>	Ø15
<b>SOLID ROD CONNECTOR</b>		
LF 170 019 -BT	for Alt.1	
LF 170 019 -BU	for Alt.2	

<b>ABB Components</b> Ludvika, Sweden	
No.	U <sub>0</sub> U <sub>1</sub> U <sub>2</sub> U <sub>3</sub> AC
U <sub>0</sub> U <sub>1</sub> U <sub>2</sub> U <sub>3</sub> AC	kV Ir A 50/60 Hz
M	kg L mm V
C1	pF Tan δ
C2	pF Tan δ

Based on	Reg. No.
Prepared Lövnord	Responsible department COM/BK
Approved Johansson	Take over department
Design engineering review Gudmundsson	Database
<b>ABB</b> ABB Components	

Title	GOB 450-800-0.3
	WITH OIL LEVEL GAUGE
	LONG END SHIELD
Document No.	2751369-202
Language	82
Page	1(1)

We reserve all rights in this document and in the information contained therein. Reproduction, use or disclosure to third parties without express authority is strictly forbidden. ©ABB