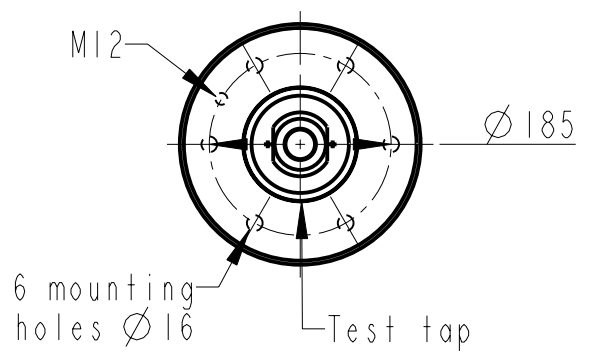
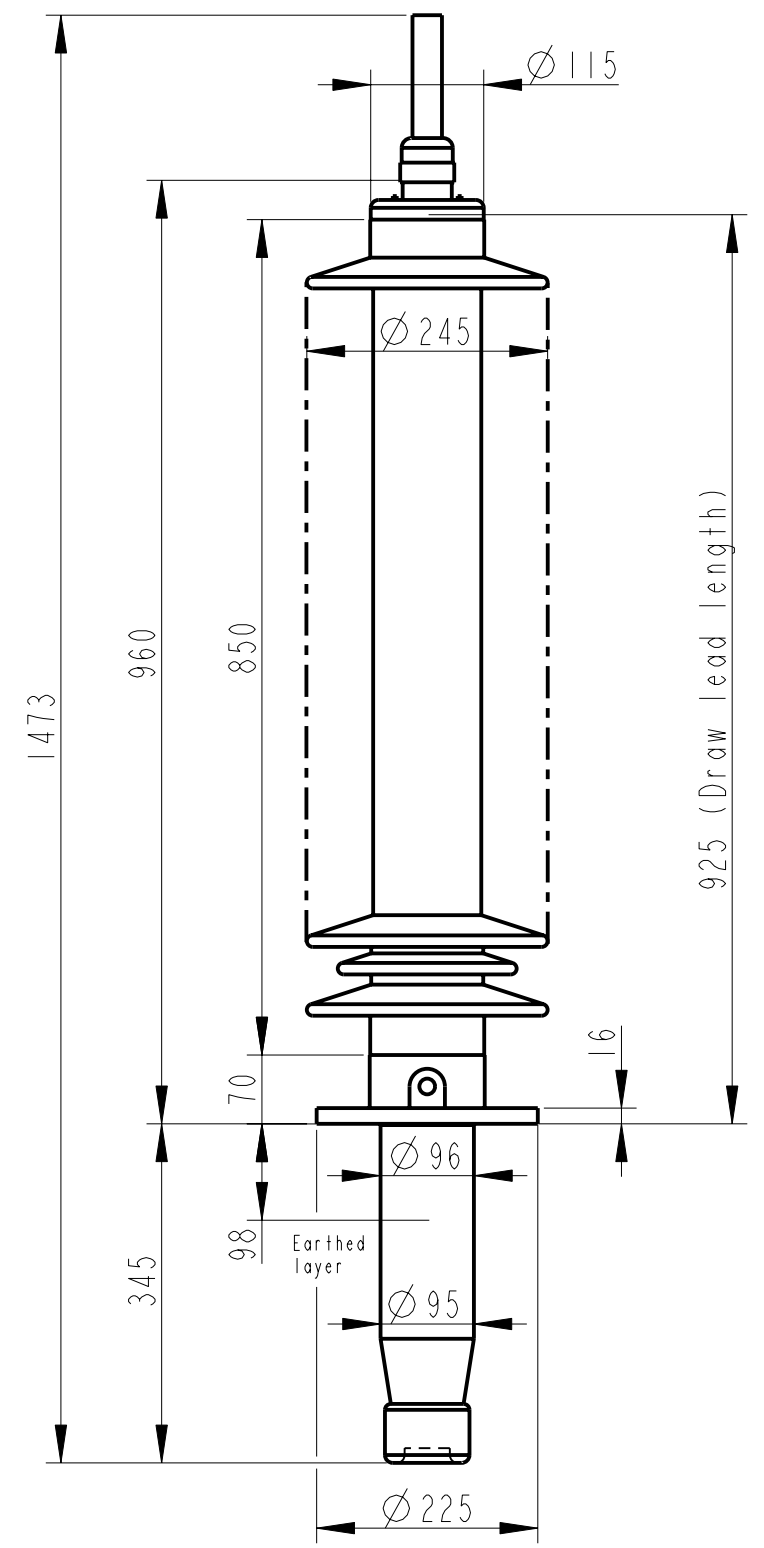
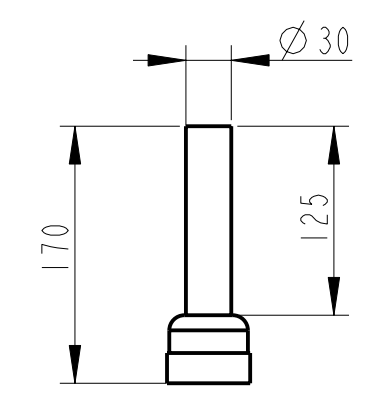


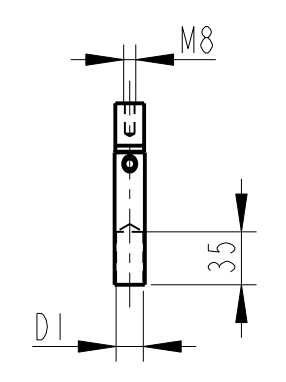
| | | | | |
|-----|-----|----------|------|-------|
| Rev | Ind | Revision | Appd | Date |
| 1 | | | TL | 01-38 |



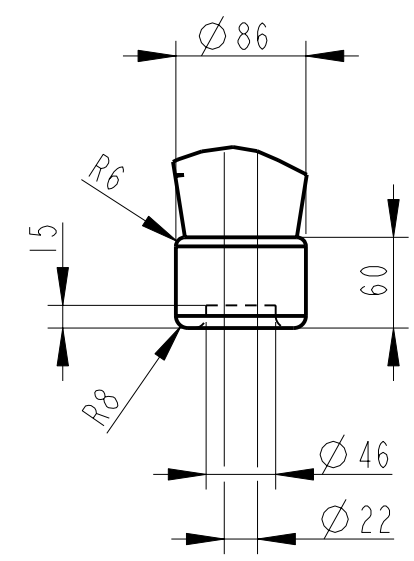
OUTER TERMINAL



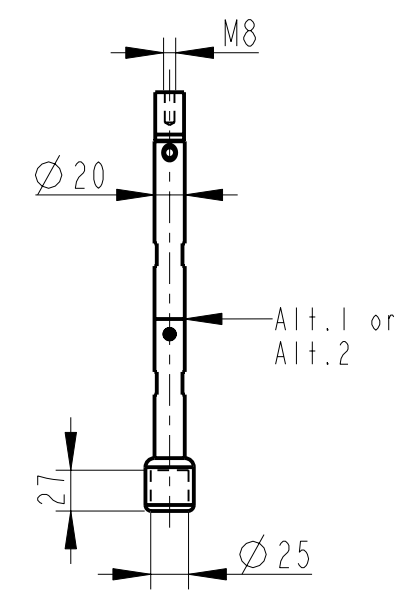
INNER TERMINAL FOR STRANDED CABLE



END SHIELD



SOLID ROD CONNECTOR



The solid rod can be divided either:
 Alt.1: 20mm below the bushing flange or
 Alt.2: 20mm below the upper end of the bottom porcelain

Bushing Data:

| | | |
|--------------------------------|---------|----|
| Rated Voltage | 123 | kV |
| Phase to Ground Voltage | 90 | kV |
| Dry Lightning Impulse 1,2/50μs | 450 | kV |
| Wet power frequency AC | 185 | kV |
| Routine test Imin dry 50Hz | 195 | kV |
| Rated Current | 800 | A |
| Creepage Distance | 2720±80 | mm |
| Creepage Distance Protected | 1060 | mm |
| Mass | 42 | kg |

Ordering Data:

| | | |
|--|---------------------------|-----|
| BUSHING | COLOUR AIR INSULATOR | |
| LF123049-K | BROWN | |
| -L | LIGHT GREY | |
| OUTER TERMINAL | | |
| LF 170 002-A | Cu, Ø 30, L=125 | |
| LF 170 001-A | Al, Ø 30, L=125 | |
| OTHER TYPES ON REQUEST | | |
| INNER TERMINAL FOR STRANDED CABLE | | |
| For brazing | Conductor area | D1 |
| LF 170 011-S | up to 150mm ² | Ø18 |
| LF 170 011-U | Undrilled with pilot hole | Ø5 |
| For crimping or brazing | Conductor area | D1 |
| LF 170 010-M | 50mm ² | Ø11 |
| LF 170 010-N | 70mm ² | Ø13 |
| LF 170 010-L | 95mm ² | Ø15 |
| SOLID ROD CONNECTOR | | |
| LF 170 019 -BL for Alt.1 | | |
| N/A for Alt.2 | | |

| | |
|---------------------------------------|------------|
| ABB Components Ludvika, Sweden | |
| No. | |
| U ₀ / U ₁ | kV / kV |
| LI / SI / AC | A 50/60 Hz |
| M | kg L mm V |
| C1 | pF Tan δ |
| C2 | pF Tan δ |

| | |
|---------------------------|------------------------|
| Based on | Reg. No. |
| Prepared | Responsible department |
| Lövnord | COM/BK 0036 |
| Approved | Take over department |
| Johansson | |
| Design engineering review | Database |
| Gudmundsson | |
| ABB ABB Components | |

| | |
|--------------|-------------------------|
| Title | GOB 450-800-0 |
| | WITHOUT OIL LEVEL GAUGE |
| | SHORT END SHIELD |
| Language | 82 |
| Page | 1(1) |
| Document No. | 2751369-139 |

We reserve all rights in this document and in the information contained therein. Reproduction, use or disclosure to third parties without express authority is strictly forbidden. ©ABB