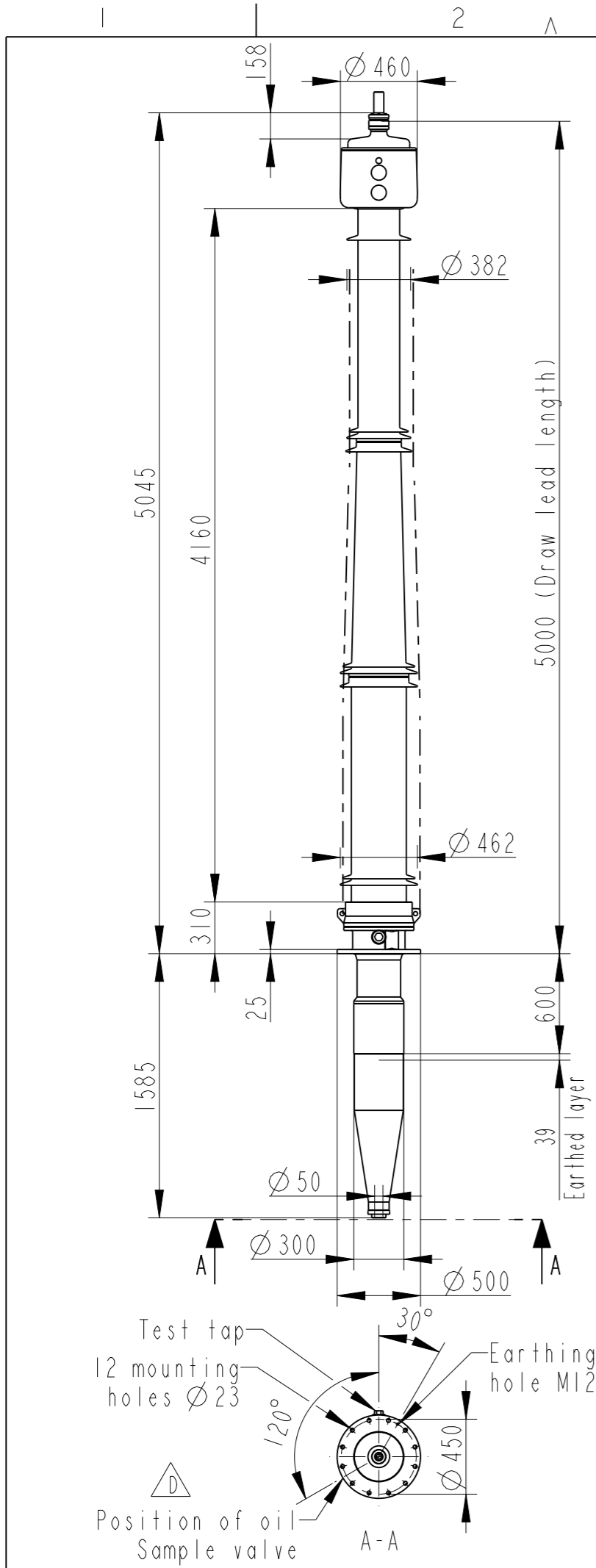


This document is issued by means of a computerized system. The digitally stored original is electronically approved. The approved document has a date entered in the "Approved"-field. A manual signature is not required.

The information contained in this document has to be kept strictly confidential. Any unauthorized use, reproduction, distribution or disclosure to third parties are strictly forbidden. ABB reserves all rights regarding Intellectual Property Rights. © Copyright 2010 ABB. All rights reserved.



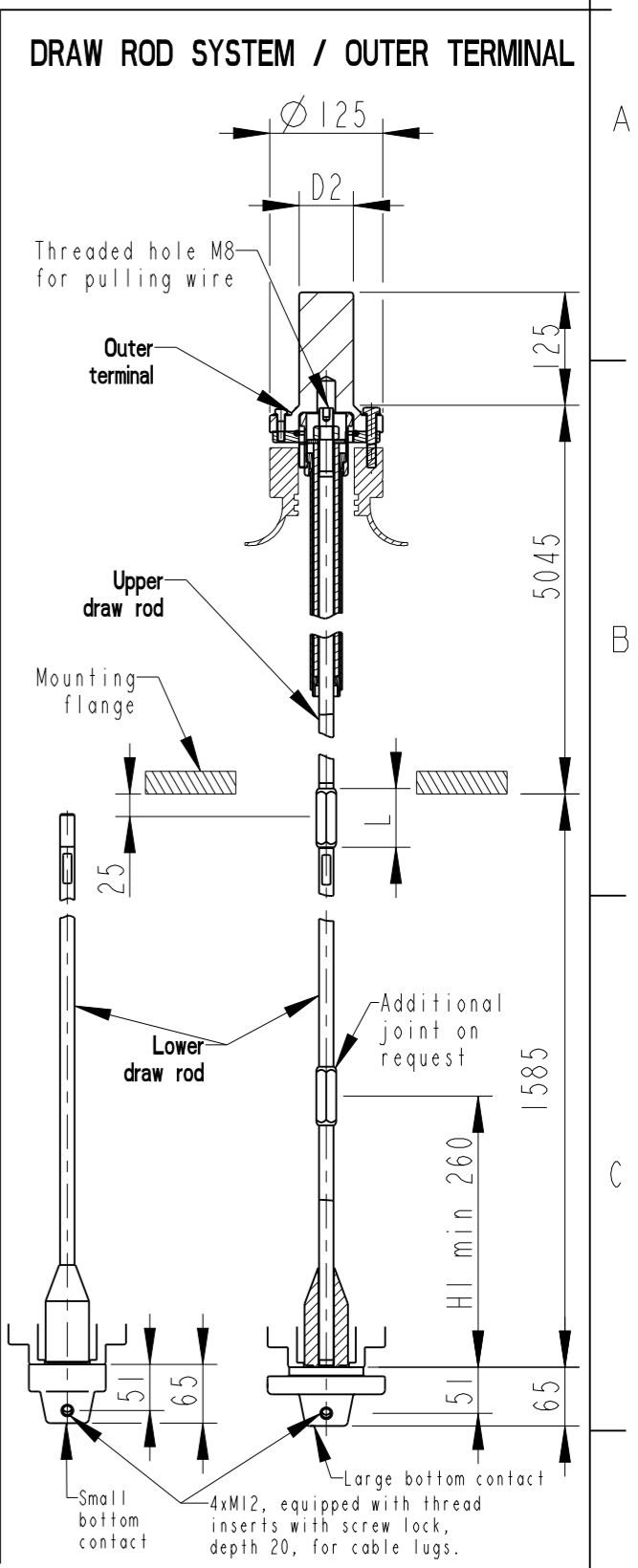
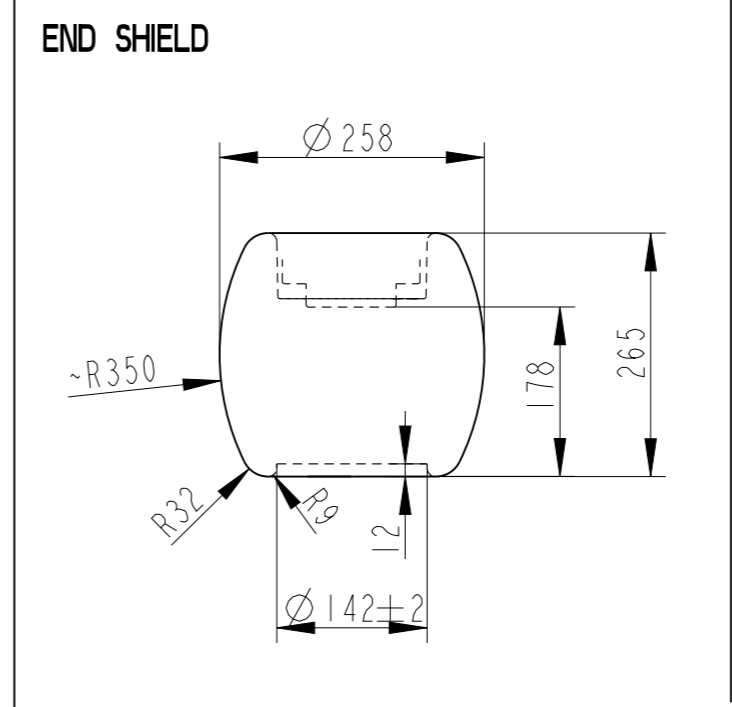
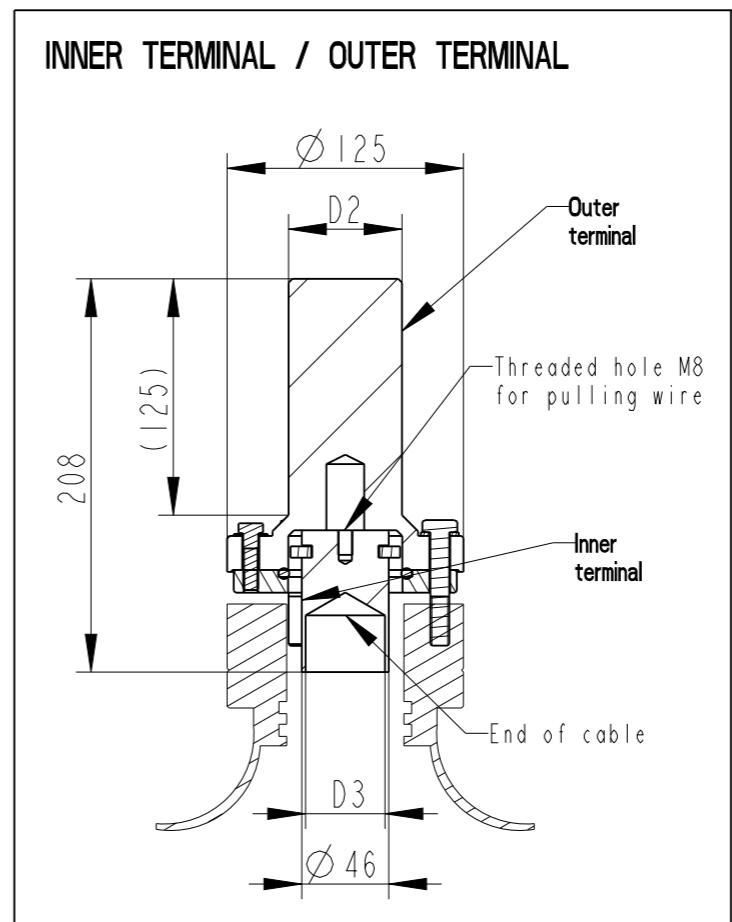
Bushing Data:

Rated Voltage	550 kV
Phase to-earth Voltage	318 kV
Dry Lightning Impulse 1,2/50µs	1550 kV
Wet Switching Impulse	1175 kV
Wet Power frequency AC	750 kV
Routine test 1min dry 50Hz	750 kV
Rated Current	1600 A
Creepage Distance Nominal	15200 mm
Creepage Distance Minimum	14850 mm
Mass	1055 kg

Ordering Data:

BUSHING IZSC903550-AAB	COLOUR AIR INSULATOR Brown
DRAW ROD SYSTEM LF170 097 LF170 098	UPPER DRAW ROD LOWER DRAW ROD
OUTER TERMINAL	Material D2 (mm)
LF170 090-A	Al Ø30
LF170 090-B	Al Ø60
LF170 090-C	Cu Ø30
LF170 090-E	Cu Ø60
LF170 090-G	Cu/Ag 2"-12UN
INNER TERMINAL	D3 (mm) Cond.area (mm ²)
LF170 091-A	Undrilled with pilot hole Ø5
LF170 091-B	Ø15 up to 95
LF170 091-C	Ø30 up to 285
LF170 091-D	Ø42 up to 740
END-SHIELD	
LF170 092-K	Epoxy insulated
LF170 092-L	Insulated with 3mm pressboard

ABB		Ludvika, Sweden	
No.	Um/Uy	kV Ir	A 50/60 Hz
BIL	kV SIL	kV AC	kV
M	kg L	mm	▷
C1	pF	Tan δ	×
C2	pF	Tan δ	×



Prepared Ali Amin	2010-02-26	Responsible department PTPR/CO/BLK	Title	GOE(2)-1550-1175-1600-0.6	☒
Modified by Balamurugan N	2010-10-13	Take over department			
Approved by Urban Schander	2010-10-15	Used in product		GOE(2)-1550-1175-1600-0.6	82
Revision D	Added Note "Position of Oil Sample Valve"		Order		1
ABB			Document no.	2751369-335	No. Shts. (1)