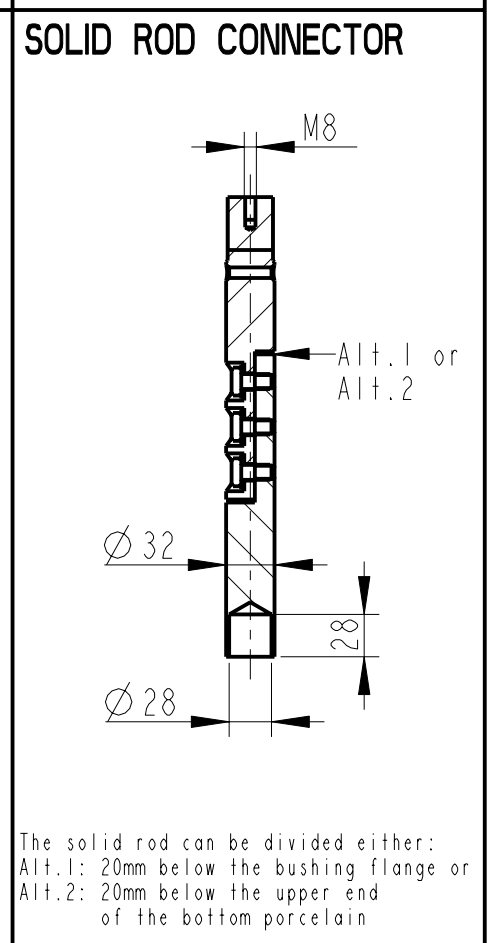
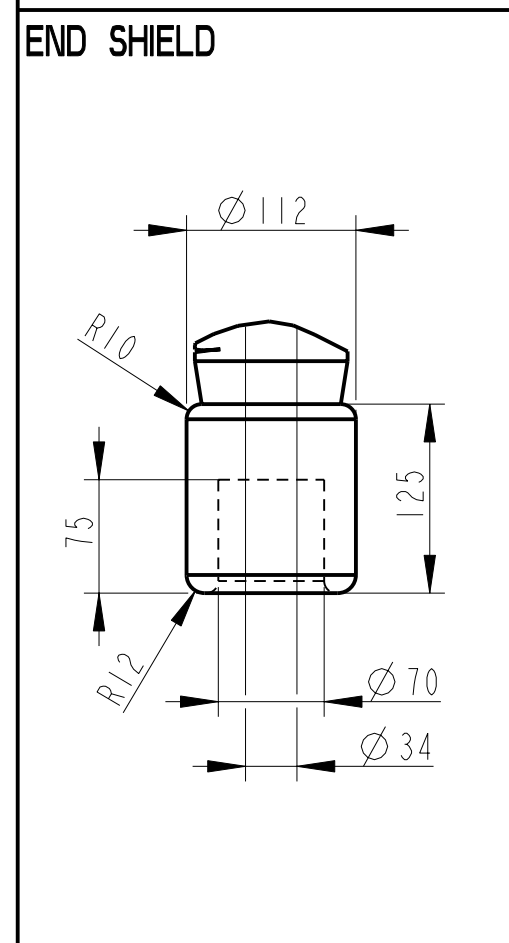
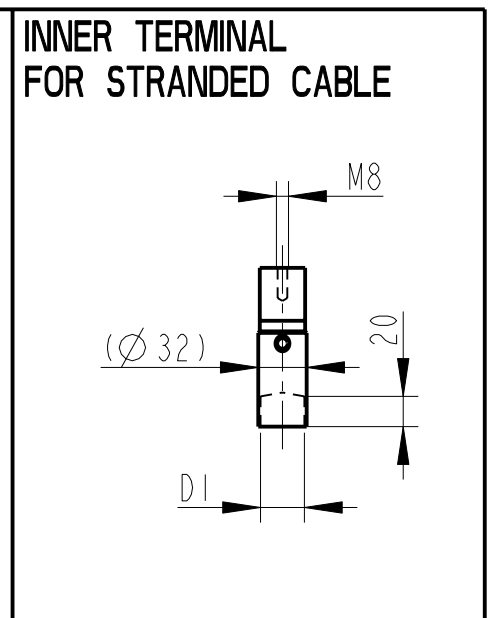
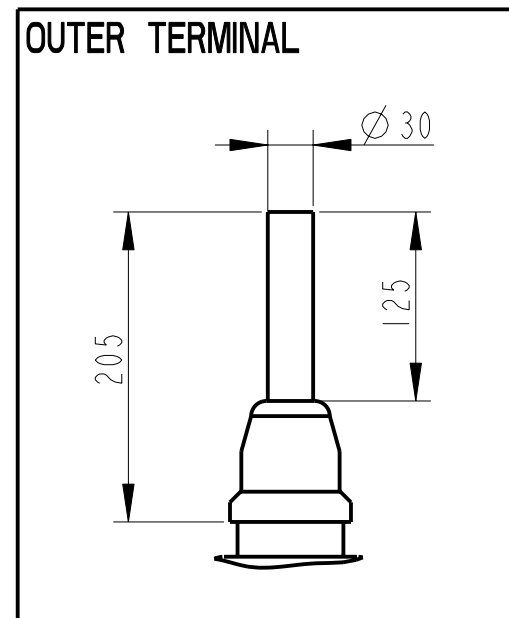
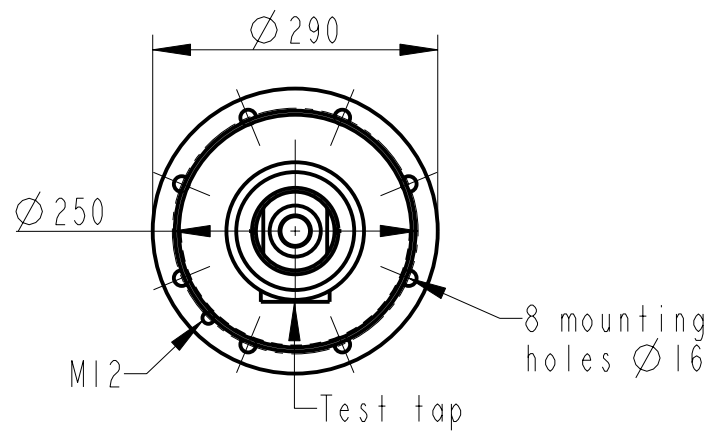
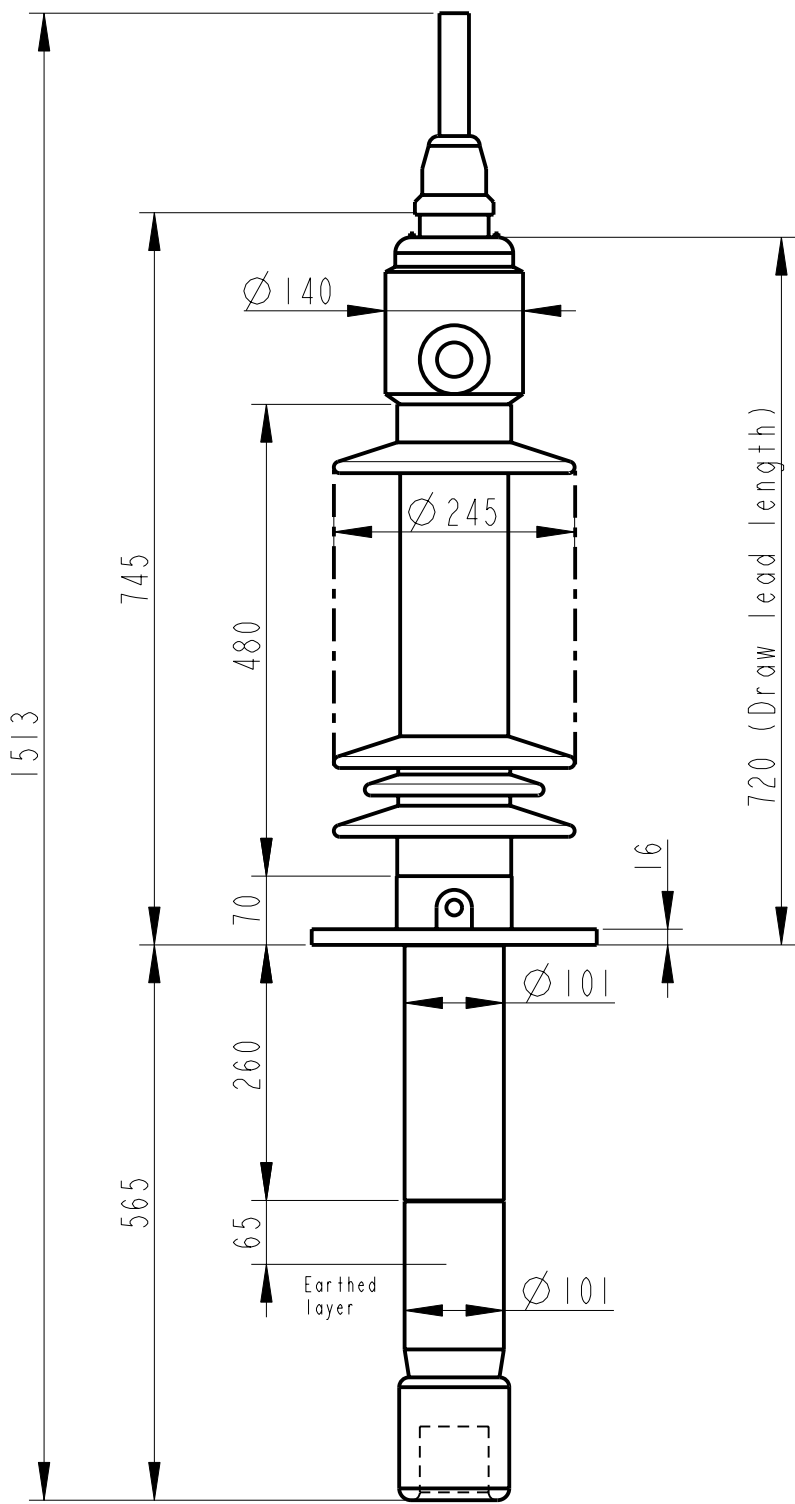


Rev	Ind	Revision	Appd	Date
1			TL	01-38



### Bushing Data:

Rated Voltage	52	kV
Phase to Ground Voltage	52	kV
Dry Lightning Impulse 1,2/50µs	250	kV
Wet power frequency AC	105	kV
Routine test 1min dry 50Hz	120	kV
Rated Current	1250	A
Creepage Distance	1500±50	mm
Creepage Distance Protected	580	mm
Mass	30	kg

### Ordering Data:

<b>BUSHING</b>	COLOUR	AIR INSULATOR
LF123168-M	BROWN	
-N	LIGHT GREY	
<b>OUTER TERMINAL</b>		
LF 170 002-B	Cu, Ø 30, L=125	
LF 170 001-B	Al, Ø 30, L=125	
OTHER TYPES ON REQUEST		
<b>INNER TERMINAL FOR STRANDED CABLE</b>		
<b>For brazing</b>	Conductor area	DI
LF 170 011-T	up to 285mm <sup>2</sup>	Ø 29
LF 170 011-V	Undrilled with pilot hole	Ø 5
<b>SOLID ROD CONNECTOR</b>		
LF 170 052 -BF	for Alt.1	
LF 170 052 -BD	for Alt.2	

**ABB Components** Luleå, Sweden

No.     kV     A 50/60 Hz   
 U<sub>1</sub> / S<sub>1</sub> / AC    kv    A 50/60 Hz    kv  
 M    kg    L    mm    V  
 C1    PF    Tan δ    r  
 C2    PF    Tan δ    r

Based on	Reg. No.
Prepared Lövnord	Responsible department COM/BK 0036
Approved Johansson	Take over department
Design engineering review Gudmundsson	Database
<b>ABB</b> ABB Components	

Title	Page
GOB 250-1250-0.3 WITH OIL LEVEL GAUGE LONG END SHIELD	1(1)
Document No.	
2751369-178	

We reserve all rights in this document and in the information contained therein. Reproduction, use or disclosure to third parties without express authority is strictly forbidden. ©ABB