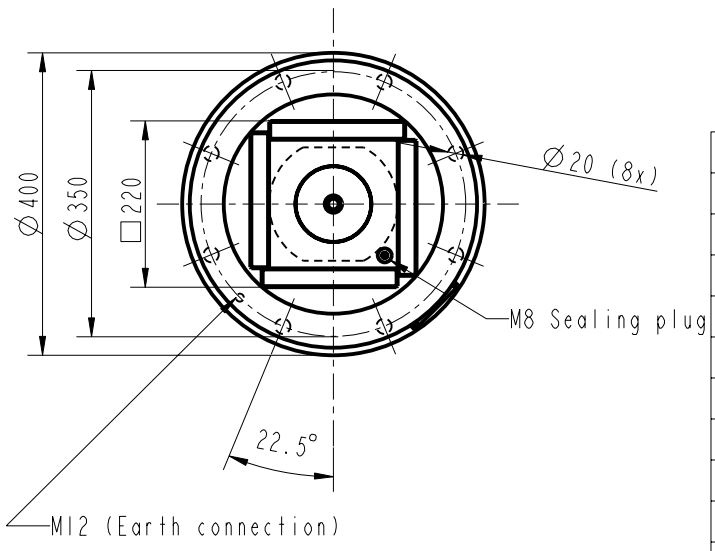
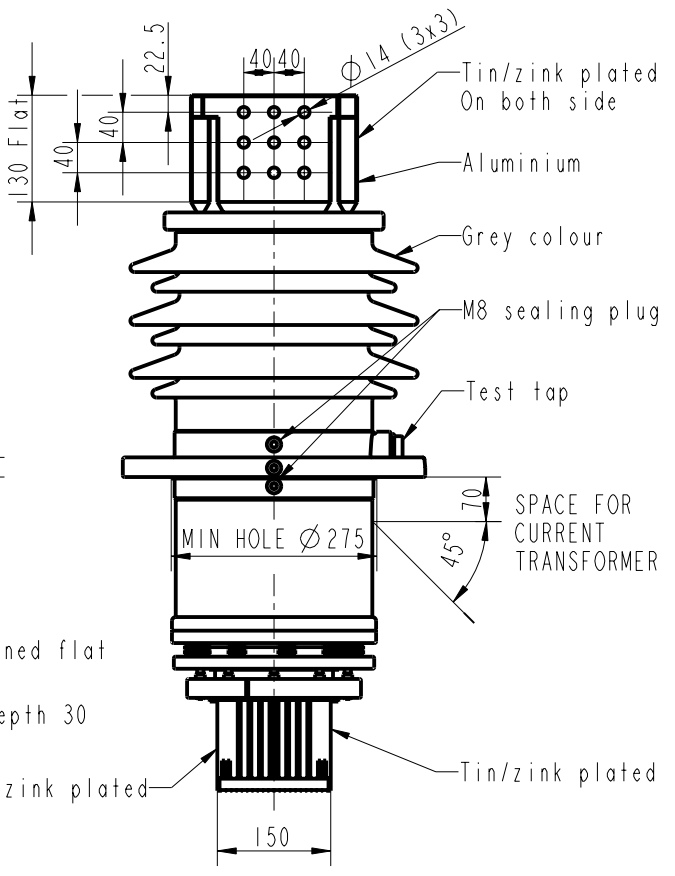
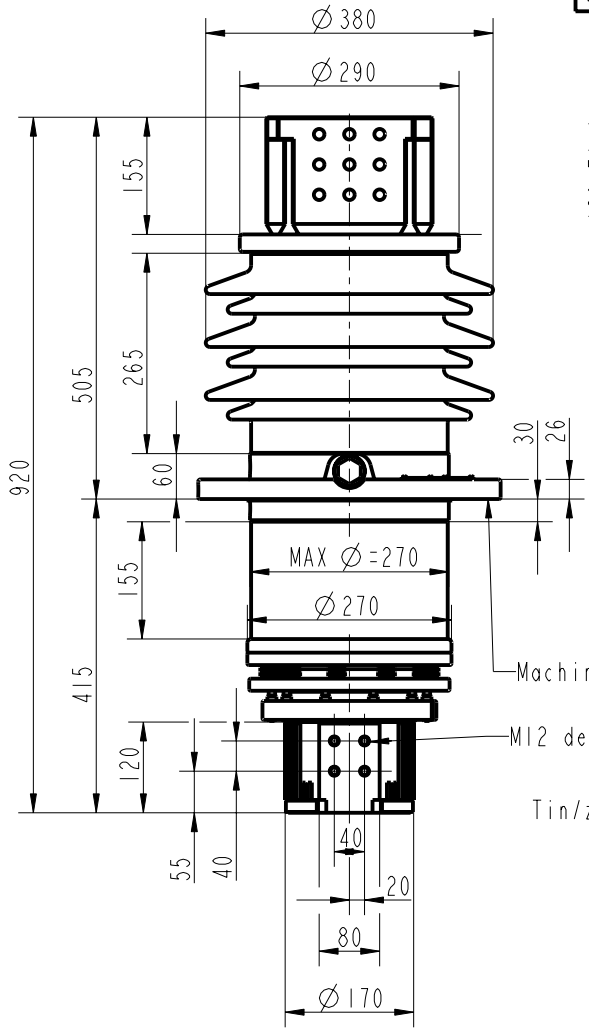


Rev Ind	Revision	Appd	Date
2	New current ref IZSE...	MC	05 19



We reserve all rights in this document and in the information contained therein. Reproduction, use or disclosure to third parties without express authority is strictly forbidden. ©ABB

Signatures acc. to revision 0 are valid
Signaturer enligt revision 0 gäller

RATING	IEC	ANSI
RATED VOLTAGE (KV)	36	-
PHASE TO GROUND MAX. (kV)	36	22
POWER FREQUENCY WET (kV)	70	75
POWER FREQUENCY DRY (kV)	70	80
LIGHTNING IMPULSE (kV)	170	200
INSULATION CLASS (kV)	-	34.5
CURRENT CARRYING CAPACITY ACC. TO IZSE2750-107		
CREEPAGE DISTANCE 760 mm		
MASS 100 kg		
CATALOGUE NUMBER LF 126 007-B		

Inspection engineering review
Design engineering review
HOLMSTRÖM

Based on	Reg. No.	BUSHING GOH 170-10 GENOMFÖRING GOH 170-10
Prepared JANSSON	Responsible department COM/KB 91 48	
Approved HEYMAN	Take over department	
Revision	Database	



Document No.	2751312-18
Language	82
Page	1(1)