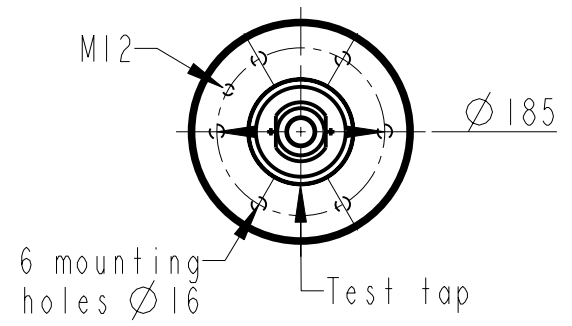
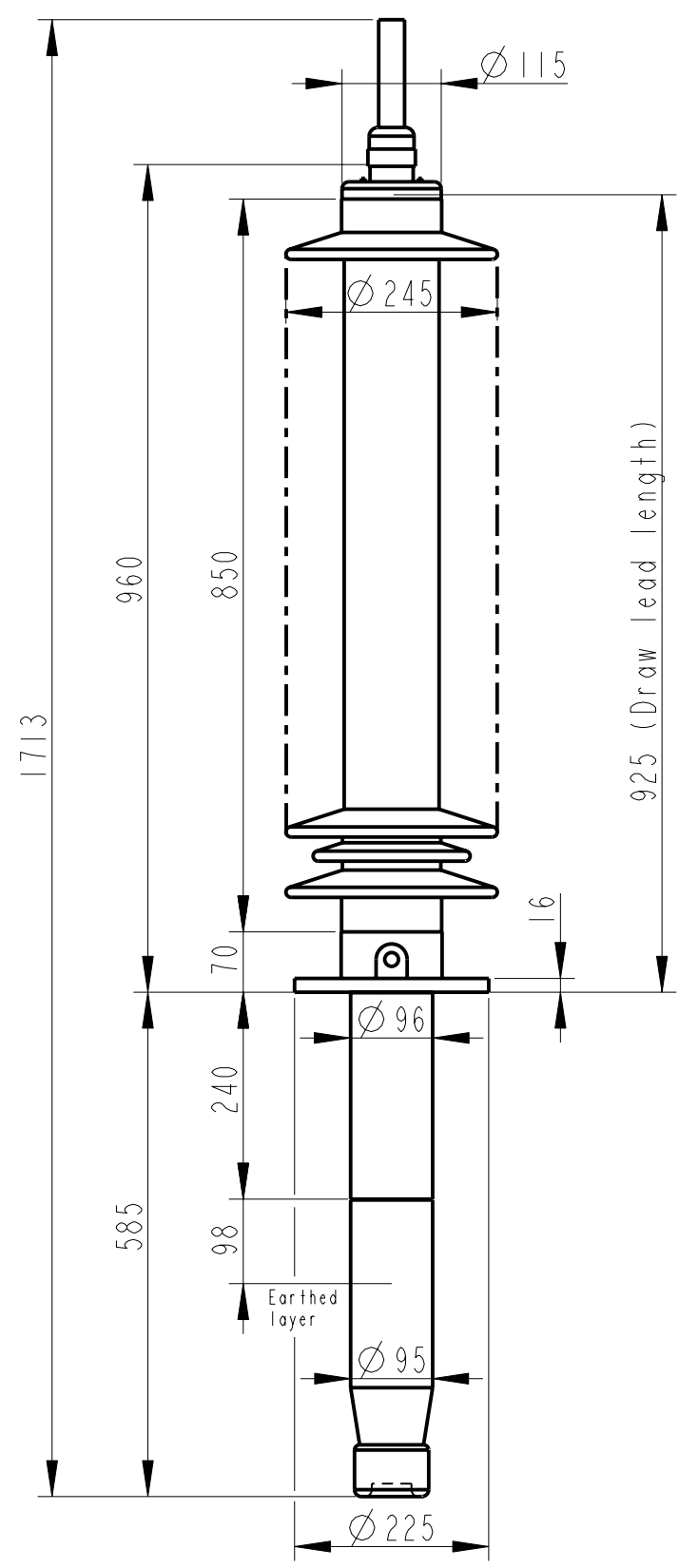
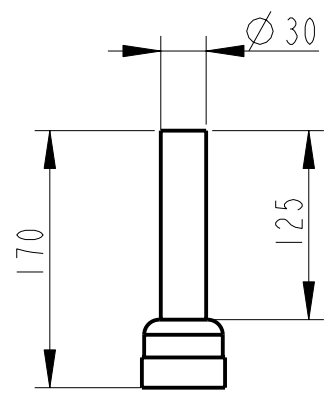


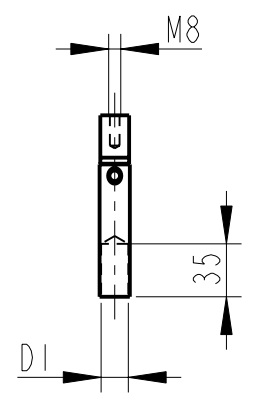
Rev	Ind	Revision	Appd	Date
1			TL	01-38



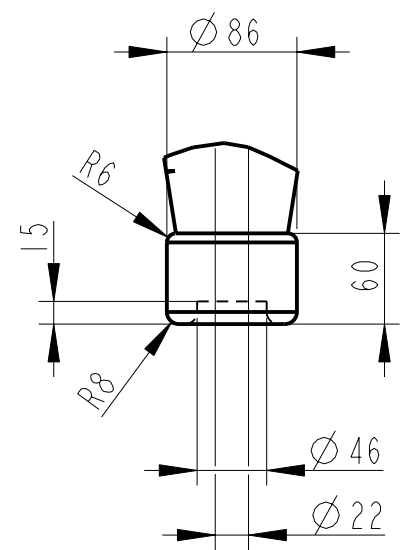
**OUTER TERMINAL**



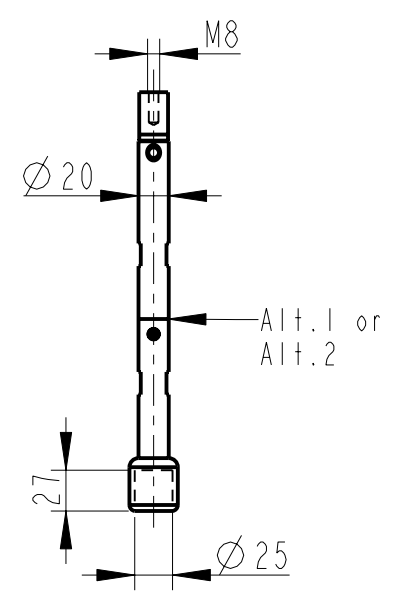
**INNER TERMINAL FOR STRANDED CABLE**



**END SHIELD**



**SOLID ROD CONNECTOR**



The solid rod can be divided either:  
 Alt.1: 20mm below the bushing flange or  
 Alt.2: 20mm below the upper end of the bottom porcelain

**Bushing Data:**

Rated Voltage	123	kV
Phase to Ground Voltage	90	kV
Dry Lightning Impulse I, 2/50μs	450	kV
Wet power frequency AC	185	kV
Routine test I min dry 50Hz	195	kV
Rated Current	800	A
Creepage Distance	2720±80	mm
Creepage Distance Protected	1060	mm
Mass	45	kg

**Ordering Data:**

<b>BUSHING</b>	COLOUR AIR INSULATOR
LF123051-K	BROWN
-L	LIGHT GREY
<b>OUTER TERMINAL</b>	
LF 170 002-A	Cu, Ø 30, L=125
LF 170 001-A	Al, Ø 30, L=125
OTHER TYPES ON REQUEST	
<b>INNER TERMINAL FOR STRANDED CABLE</b>	
<b>For brazing</b>	Conductor area D1
LF 170 011-S	up to 150mm <sup>2</sup> Ø18
LF 170 011-U	Undrilled with pilot hole Ø5
<b>For crimping or brazing</b>	Conductor area D1
LF 170 010-M	50mm <sup>2</sup> Ø11
LF 170 010-N	70mm <sup>2</sup> Ø13
LF 170 010-L	95mm <sup>2</sup> Ø15
<b>SOLID ROD CONNECTOR</b>	
LF 170 019 -BM for Alt.1	
LF 170 019 -BN for Alt.2	

<b>ABB Components</b> Ludvika, Sweden	
No. U <sub>0</sub> U <sub>1</sub>	kV Ir A 50/60 Hz
LI / SI / AC	
M	kg L mm V
C1	pF Tan δ
C2	pF Tan δ

Based on	Reg. No.
Prepared Lövnord	Responsible department COM/BK 0036
Approved Johansson	Take over department
Design engineering review Gudmundsson	Database
<b>ABB</b> ABB Components	

Title	
GOB 450-800-0.3	
WITHOUT OIL LEVEL GAUGE	
SHORT END SHIELD	
Language	82
Page	1(1)
Document No.	2751369-141

We reserve all rights in this document and in the information contained therein. Reproduction, use or disclosure to third parties without express authority is strictly forbidden. ©ABB