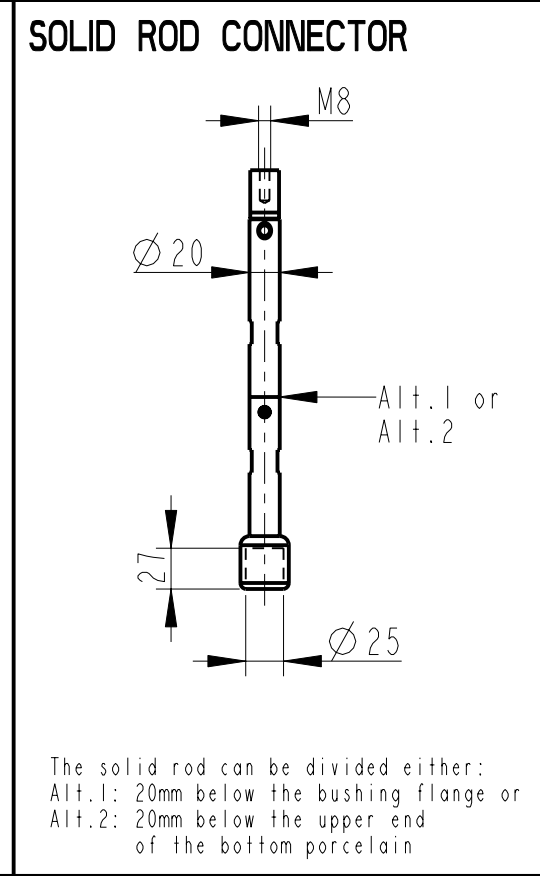
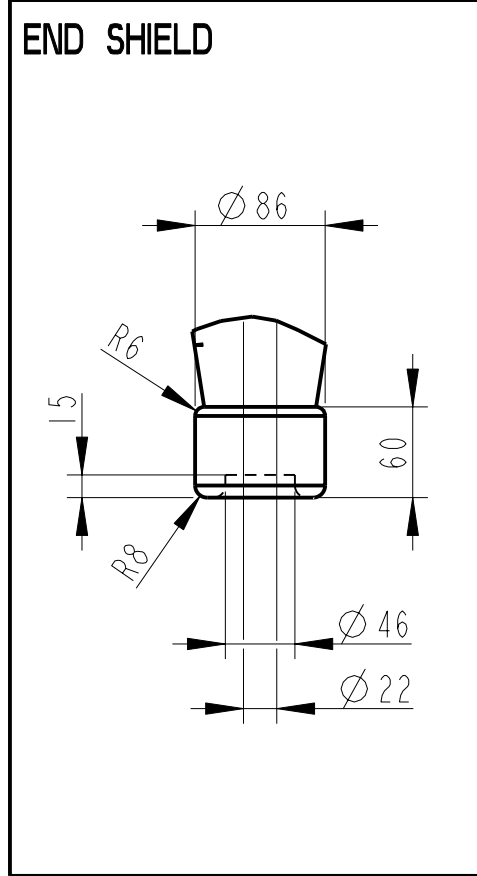
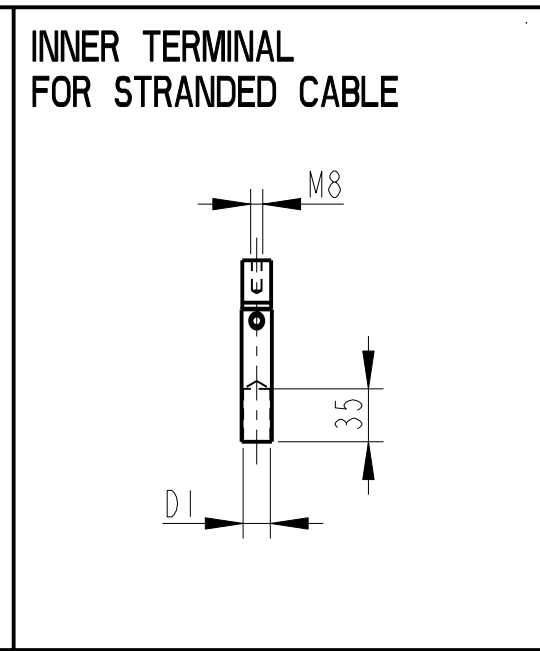
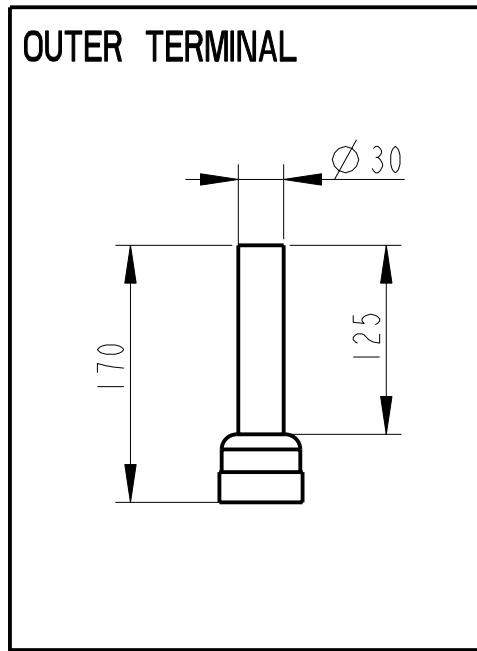
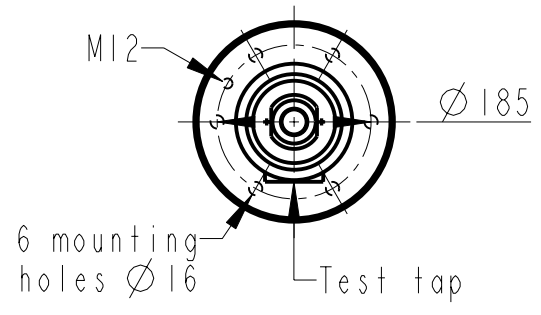
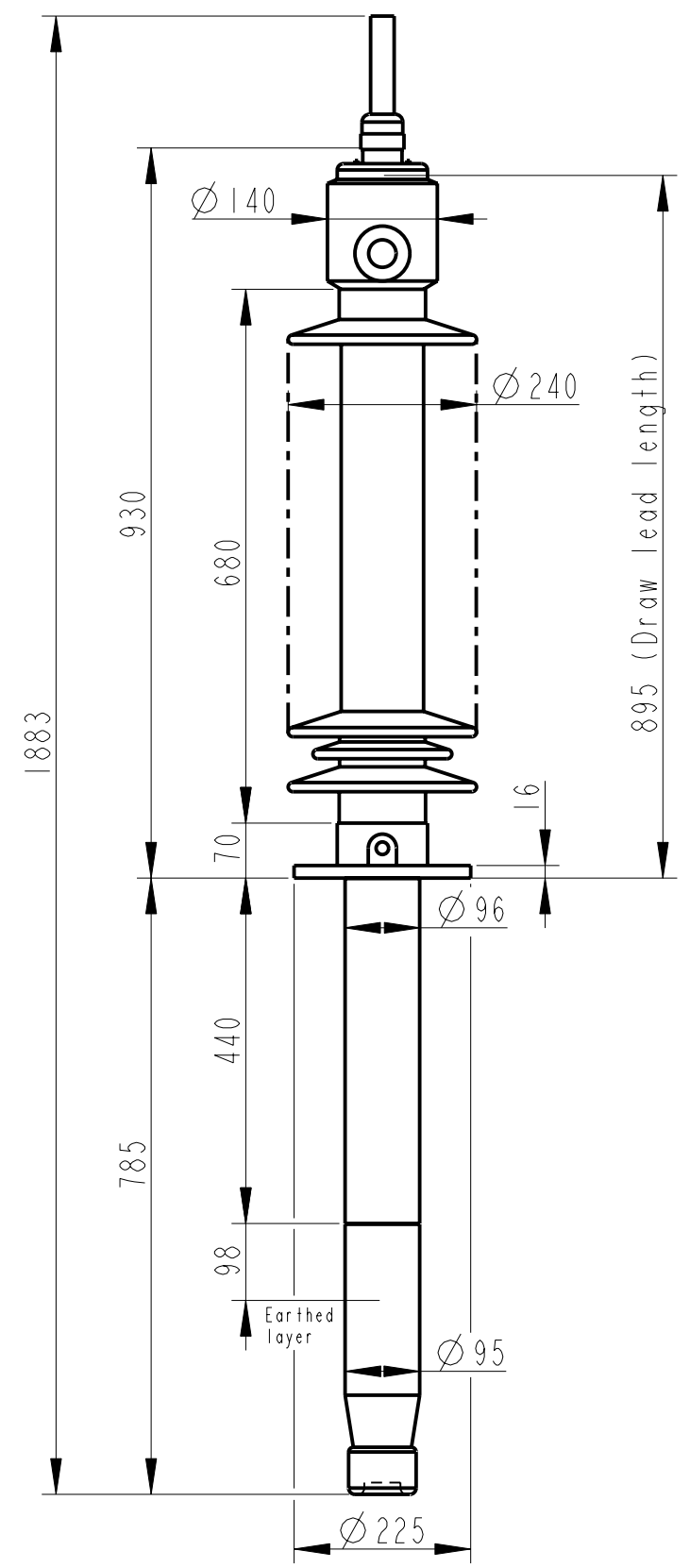


Rev	Ind	Revision	Appd	Date
1			TL	01-38



### Bushing Data:

Rated Voltage	100	kV
Phase to Ground Voltage	72.5	kV
Dry Lightning Impulse 1,2/50μs	380	kV
Wet power frequency AC	150	kV
Routine test Imin dry 50Hz	162	kV
Rated Current	800	A
Creepage Distance	2210±70	mm
Creepage Distance Protected	870	mm
Mass	40	kg

### Ordering Data:

<b>BUSHING</b>	COLOUR AIR INSULATOR	
LF123187-K	BROWN	
-L	LIGHT GREY	
<b>OUTER TERMINAL</b>		
LF 170 002-A	Cu, Ø 30, L=125	
LF 170 001-A	Al, Ø 30, L=125	
OTHER TYPES ON REQUEST		
<b>INNER TERMINAL FOR STRANDED CABLE</b>		
<b>For brazing</b>	Conductor area	D1
LF 170 011-S	up to 150mm <sup>2</sup>	Ø18
LF 170 011-U	Undrilled with pilot hole	Ø5
<b>For crimping or brazing</b>	Conductor area	D1
LF 170 010-M	50mm <sup>2</sup>	Ø11
LF 170 010-N	70mm <sup>2</sup>	Ø13
LF 170 010-L	95mm <sup>2</sup>	Ø15
<b>SOLID ROD CONNECTOR</b>		
LF 170 019 -BF	for Alt.1	
LF 170 019 -BG	for Alt.2	

<b>ABB Components</b> Ludvika, Sweden	
No.	
Ur-ty	kV Ir A 50/60 Hz
LI / SI / AC	
M	kg L mm V
C1	pF Tan δ
C2	pF Tan δ

Based on	Reg. No.
Prepared Lövnord	Responsible department COM/BK
Approved Johansson	Take over department
Design engineering review Gudmundsson	Database
<b>ABB</b> ABB Components	

Title	GOB 380-800-0.5
	WITH OIL LEVEL GAUGE
	SHORT END SHIELD
Language	82
Page	1(1)
Document No.	2751369-191

We reserve all rights in this document and in the information contained therein. Reproduction, use or disclosure to third parties without express authority is strictly forbidden. ©ABB