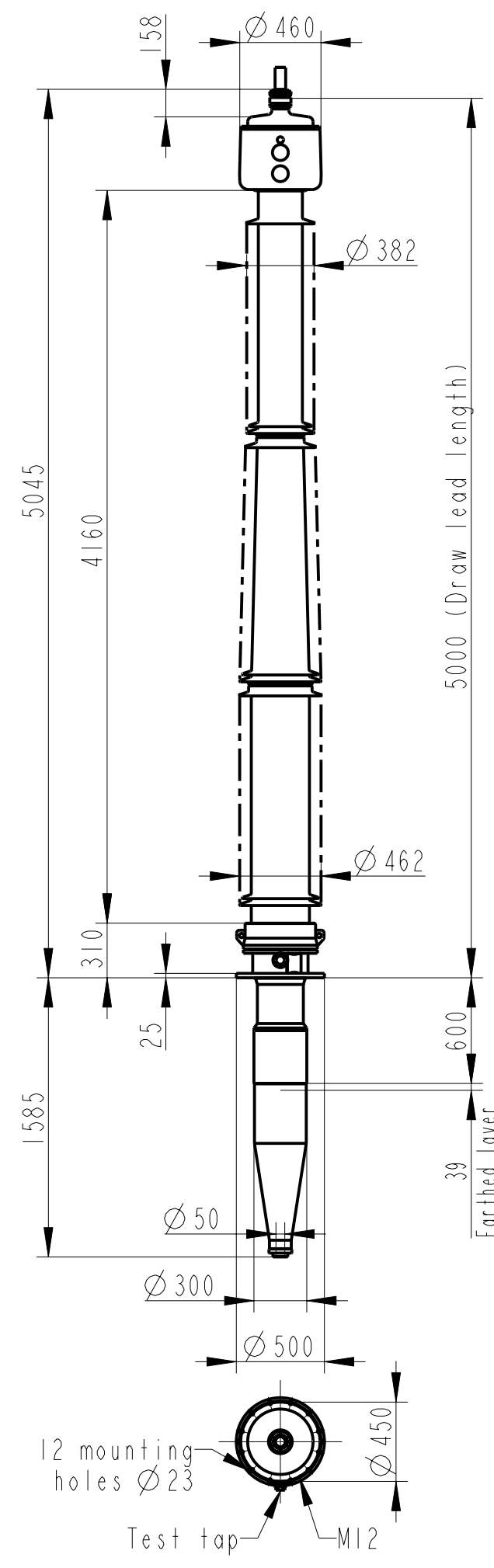


Rev Ind	Revision	Appd	Date
2	Updated	MG	05 08



Bushing Data:

Rated Voltage	550 kV
Phase to-earth Voltage	318 kV
Dry Lightning Impulse 1,2/50µs	1675 kV
Wet Switching Impulse	1300 kV
Wet Power frequency AC	750 kV
Routine test Imin dry 50Hz	750 kV
Rated Current	1600 A
Creepage Distance Nominal	15200 mm
Creepage Distance Minimum	14850 mm
Mass	1055 kg

Ordering Data:

BUSHING COLOUR AIR INSULATOR
 LF12I 580 -A / -AA Brown / Light Grey

DRAW ROD SYSTEM
 LF170 097 UPPER DRAW ROD
 LF170 098 LOWER DRAW ROD

OUTER TERMINAL	Material	D2 (mm)
LF170 090-A	Al	Ø 30
LF170 090-B	Al	Ø 60
LF170 090-C	Cu	Ø 30
LF170 090-D	Cu	Ø 40
LF170 090-E	Cu	Ø 60

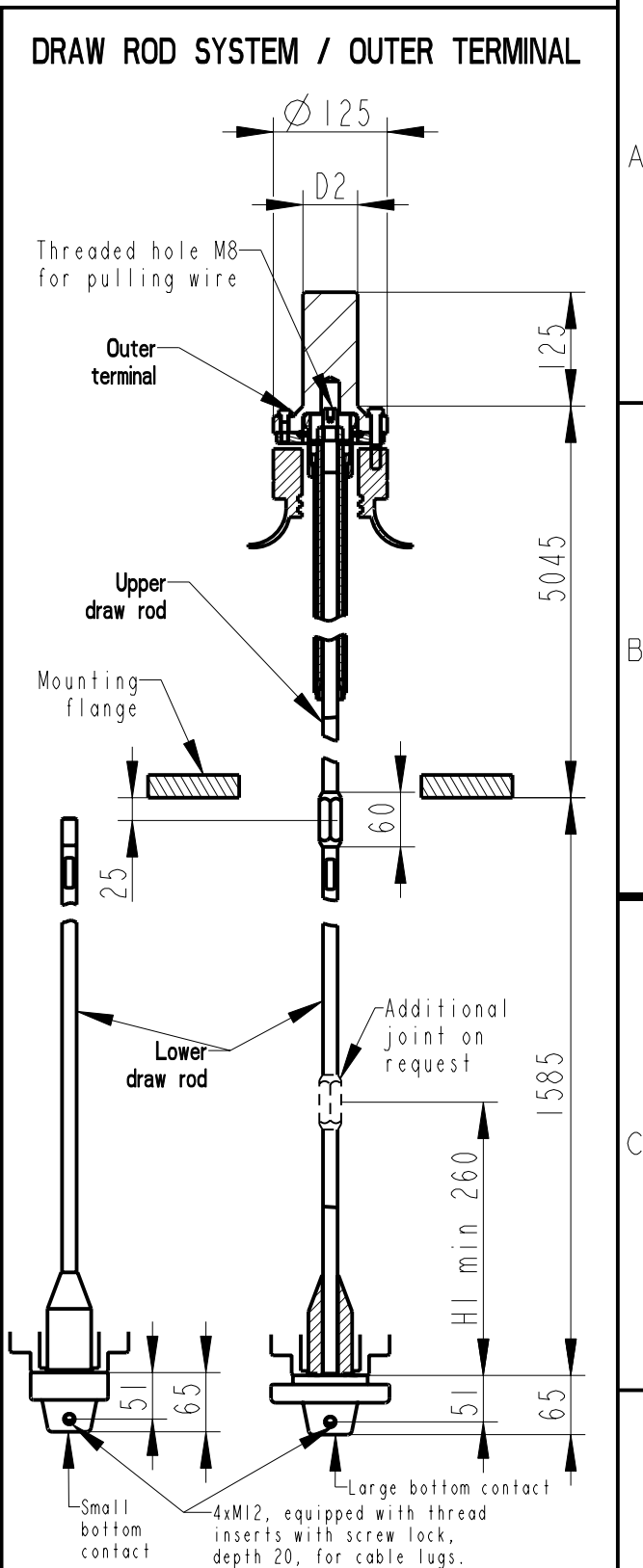
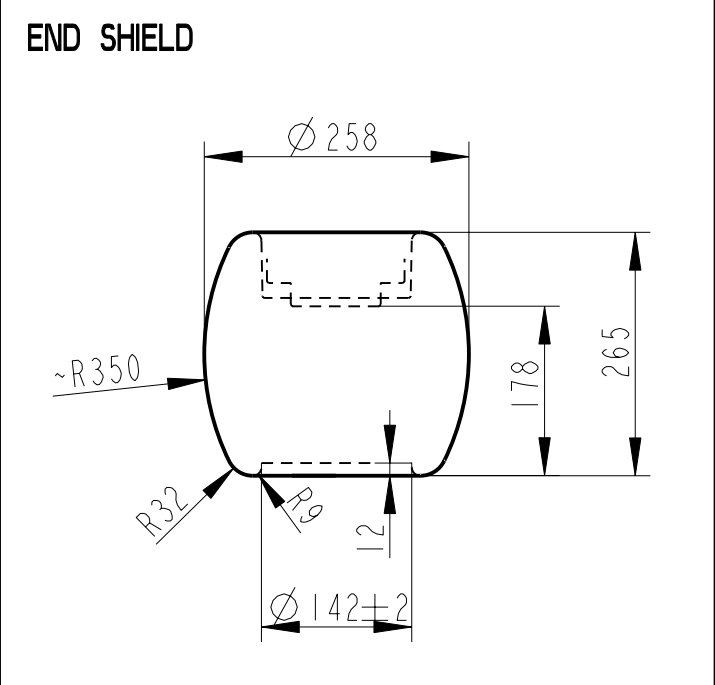
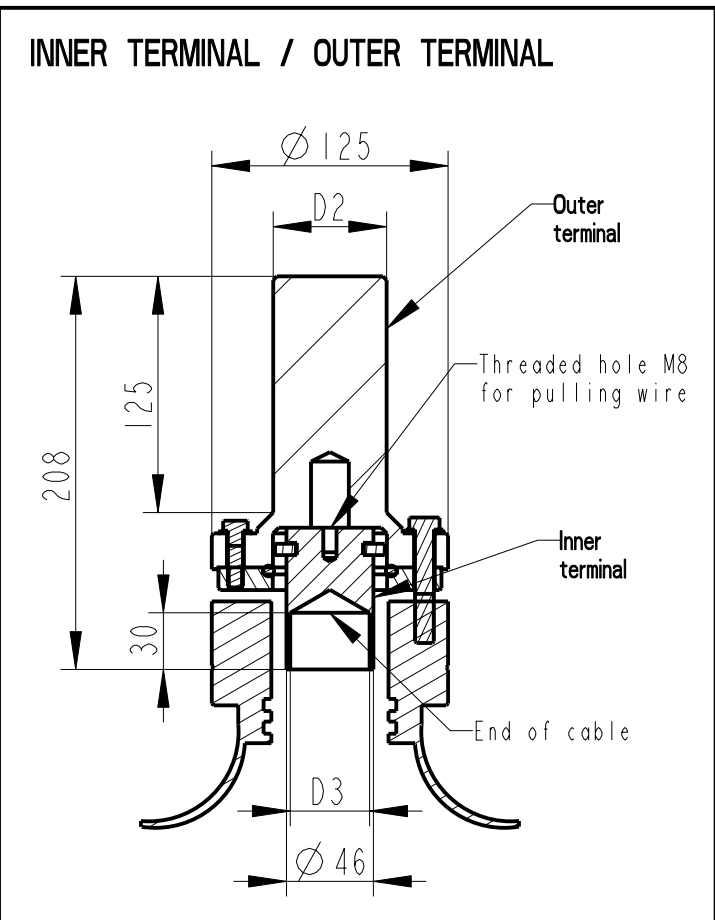
INNER TERMINAL	D3 (mm)	Cond.area (mm ²)
LF170 091-A	Undrilled with pilot hole Ø5	
LF170 091-B	Ø15	up to 95
LF170 091-C	Ø30	up to 285
LF170 091-D	Ø42	up to 740

END-SHIELD
 LF170 092-K Epoxy insulated
 LF170 092-L Insulated with 3mm pressboard

ABB Ludvika, Sweden

Um/Uy	No.	kV Ir	A	50/60 Hz
LI	kV SI	kV AC	kV	
M	kg L	mm	▷	
CI	pF Tan δ		z	
C2	pF Tan δ		z	

Signatures acc. to revision 2 are valid
 Signaturer enligt revision 2 gäller



Based on	Reg. No.	Title	
Prepared M Gullö	05 08	GOE(2)-1675-1300-1600-0.6	
Approved R Johansson	Responsible department PTPR/CO/BLK		Language EN
Design engineering review M Carlsson	Take over department		Page 1(1)
	Database	Document No.	2751400-1

We reserve all rights in this document and in the information contained therein. Reproduction, use or disclosure to third parties without express authority is strictly forbidden. ©ABB