

**Bushing Data:**

Rated Voltage	145	kV
Phase to-earth Voltage	95	kV
Dry Lightning Impulse I, 2/50µs	450	kV
Wet Switching Impulse	350	kV
Wet Power frequency AC	210	kV
Routine test Imin dry 50Hz	210	kV
Rated Current	5000	A
Creepage Distance	2870	mm
Mass	315	kg

**Ordering Data:**

**BUSHING**  
 LF121057 -C / -AC  
 COLOUR AIR INSULATOR  
 BROWN / LIGHT GREY

**OUTER TERMINAL**

LF170 073-A	Al	H2 (mm)	D2 (mm)
LF170 073-B	Cu	125	60
LF170 073-G	Cu/Ag	125	60
LF170 073-H	Cu/Ag	125	60

OTHER TYPES ON REQUEST

**END-SHIELD**

LF170 046-U EPOXY INSULATED  
 LF170 046-UP INSULATED WITH 3 mm PRESSBOARD

**DRAW ROD SYSTEM**

LF170 059 LOWER DRAW ROD WITH NI=4 OR NI=6  
 LF170 057 UPPER DRAW ROD

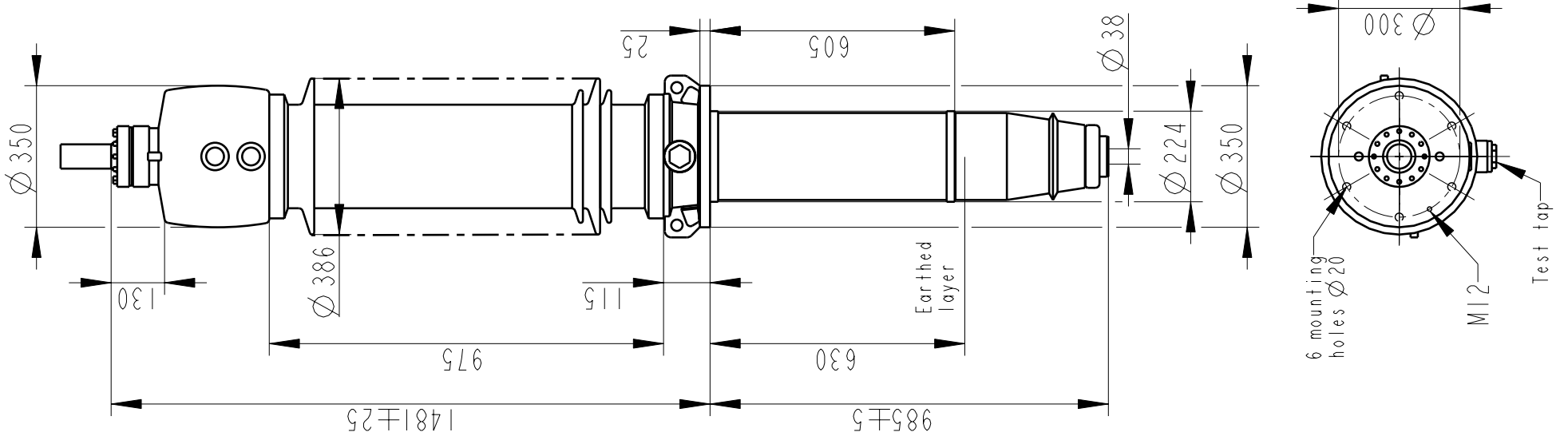
**INNER TERMINAL**

D3 (mm)	D9 (mm)	Cond. area (mm <sup>2</sup> )	Current (A)	IEEC
LF170 056-A	35	35	-	-
LF170 056-B	35	95	390	370
LF170 056-C	35	285	1000	830

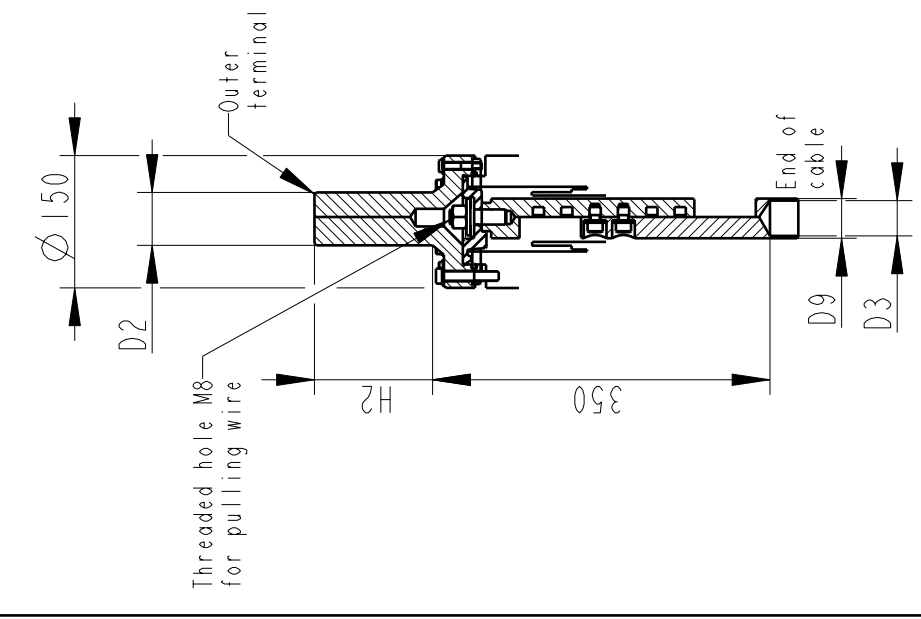
\*) WITH PILOT HOLE D=5

**ABB Components** Lutha, Sweden

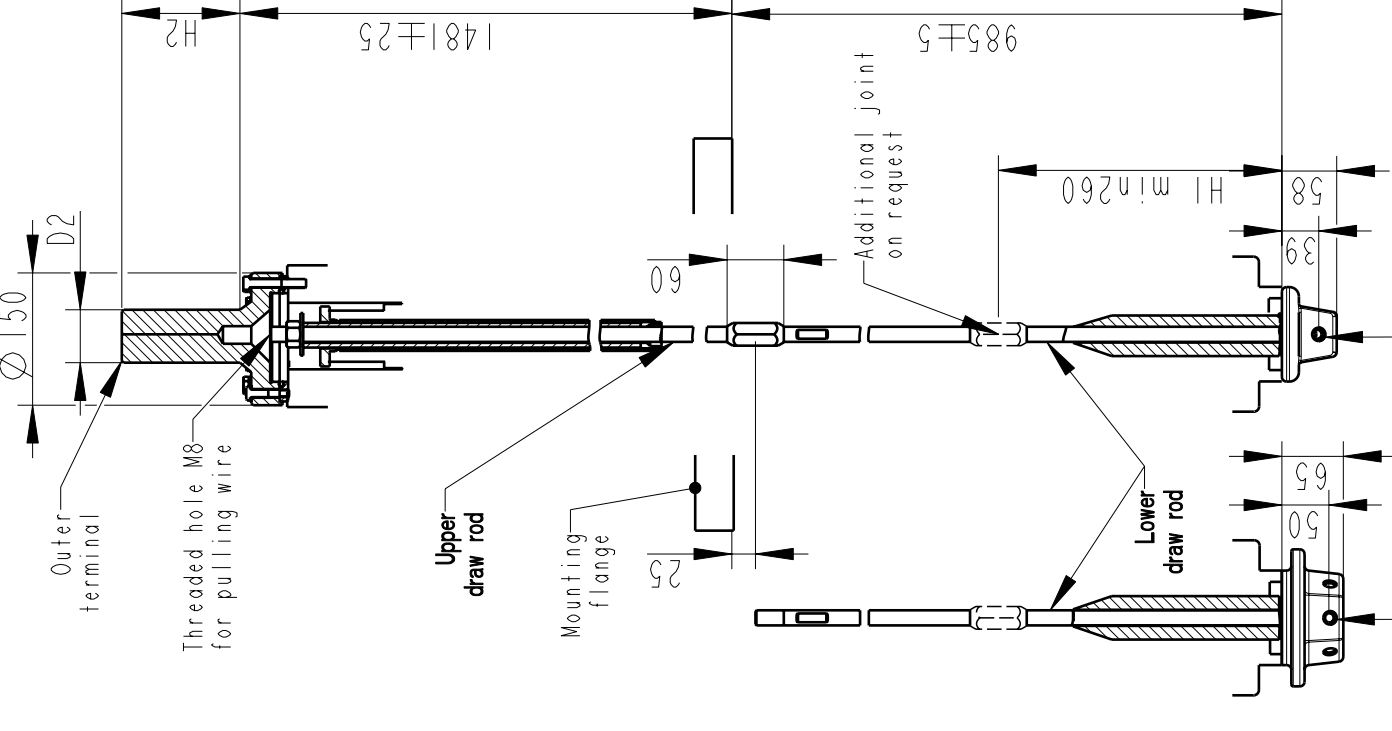
No.	kV	A	50/60 Hz
U <sub>1</sub>	kV	SI	kV AC
U <sub>2</sub>	kg	L	mm D
C <sub>1</sub>	pf	Tanδ	;
C <sub>2</sub>	pf	Tanδ	;



**INNER TERMINAL / OUTER TERMINAL**

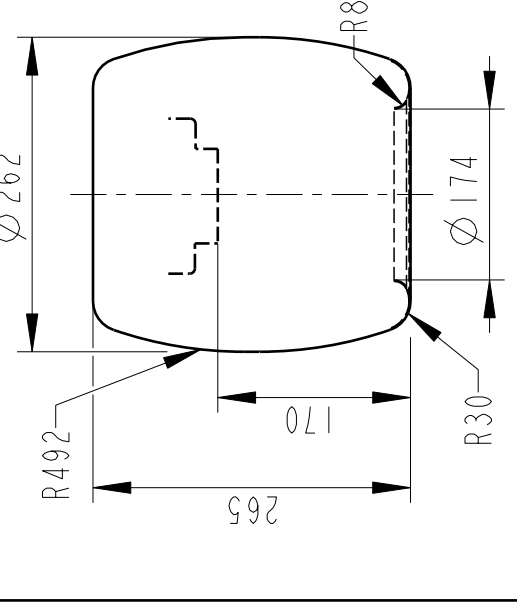


**DRAW ROD SYSTEM / OUTER TERMINAL**



NI=Number of holes M12, equipped with thread insert with screw lock, depth 20, for cable lugs.

**END SHIELD**



Based on	Reg. No.	Title
Prepared	Responsible department	GOE-450-350-5000-0.6
Lövnord	COM/BK 0022	
Approved	Take over department	
Johansson	Database	
Design engineering review		
Gutman		
Document No.		2751369-85