

**Bushing Data:**

Rated Voltage	362	kV
Phase to-earth Voltage	220	kV
Dry Lightning Impulse	1,2/50µs	kV
Wet Switching Impulse	700	kV
Wet Power frequency AC	425	kV
Routine test Imin dry 50Hz	435	kV
Rated Current	2500	A
Creepage Distance	6245	mm
Mass	665	kg

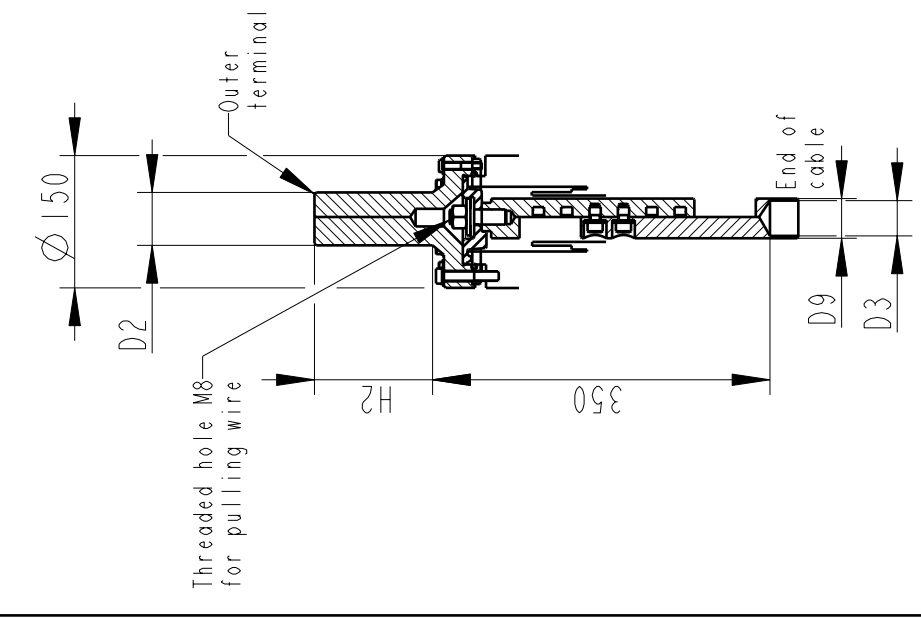
**Ordering Data:**

<b>BUSHING</b>	COLOUR AIR INSULATOR				
LF121062	-C / -AC	BROWN / LIGHT GREY			
<b>OUTER TERMINAL</b>	H2 (mm)	D2 (mm)			
LF170 073-A	125	60			
LF170 073-B	125	60			
LF170 073-G	125	60			
OTHER TYPES ON REQUEST					
<b>END-SHIELD</b>	LF170 046-U EPOXY INSULATED				
LF170 046-UP INSULATED WITH 3 mm PRESSBOARD					
<b>DRAW ROD SYSTEM</b>	LF170 059 LOWER DRAW ROD WITH NI=4 OR NI=6				
LF170 057 UPPER DRAW ROD					
<b>INNER TERMINAL</b>	D3 (mm)	D9 (mm)	Cond.area (mm2)	Current (A)	IEEC
LF170 056-E	45	45	-	-	-
LF170 056-D	40	45	600	1600	1360

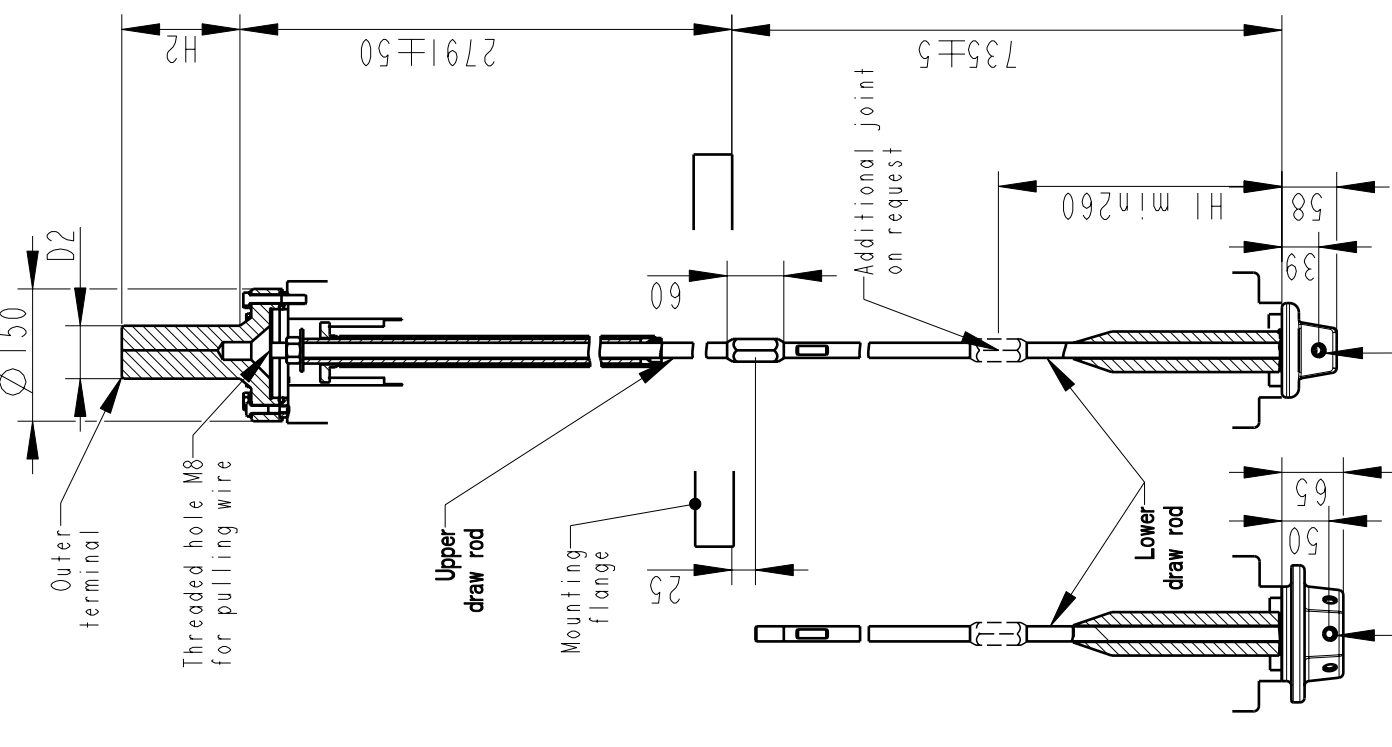
\*) WITH PILOT HOLE D=5

<b>ABB Components</b>		Lutskia, Sweden	
No.	kV	A	50-60 Hz
U <sub>1</sub>	kV	SI	kV
U <sub>2</sub>	kV	AC	kV
M	kg	L	mm
C1	pF	Tanδ	;
C2	pF	Tanδ	;

**INNER TERMINAL / OUTER TERMINAL**

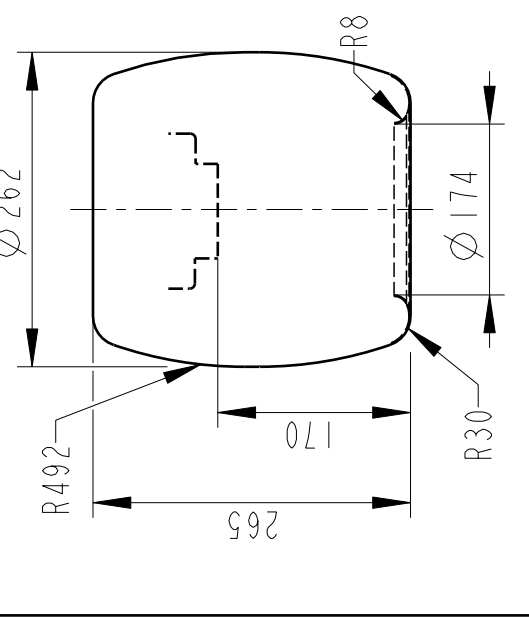


**DRAW ROD SYSTEM / OUTER TERMINAL**



NI=Number of holes M12, equipped with thread insert with screw lock, depth 20, for cable lugs.

**END SHIELD**



Based on	Reg. No.	Title
Prepared	Responsible department	GOE-950-700-2500-0
Lövnord	COM/BK 0022	
Approved	Take over department	
Johansson	Database	
Design engineering review		
Gutman		
ABB ABB Components		Document No. 2751369-86
Language		82
Page		1(1)