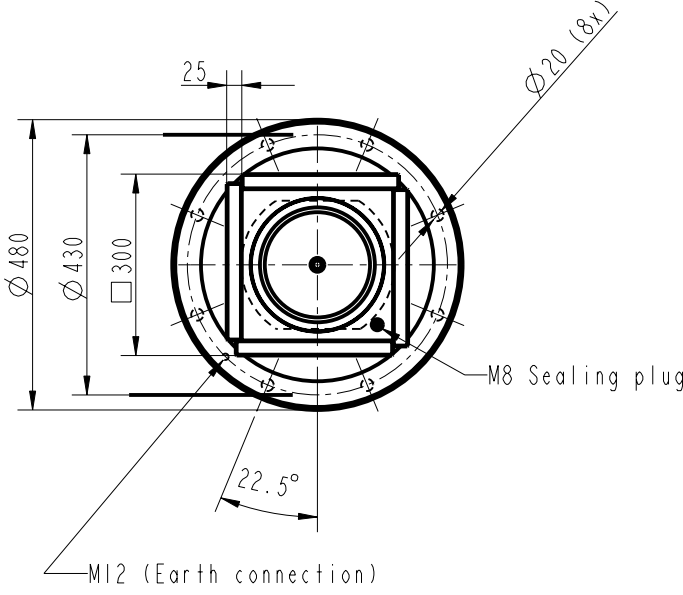
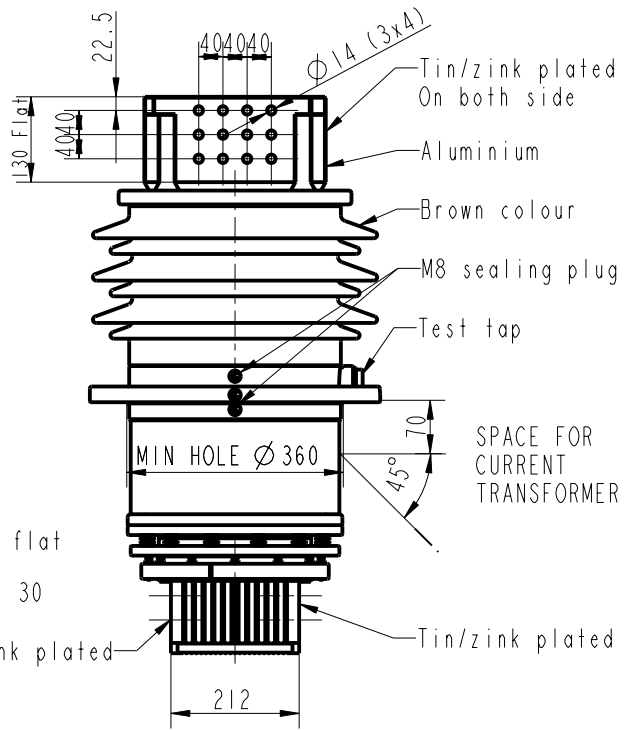
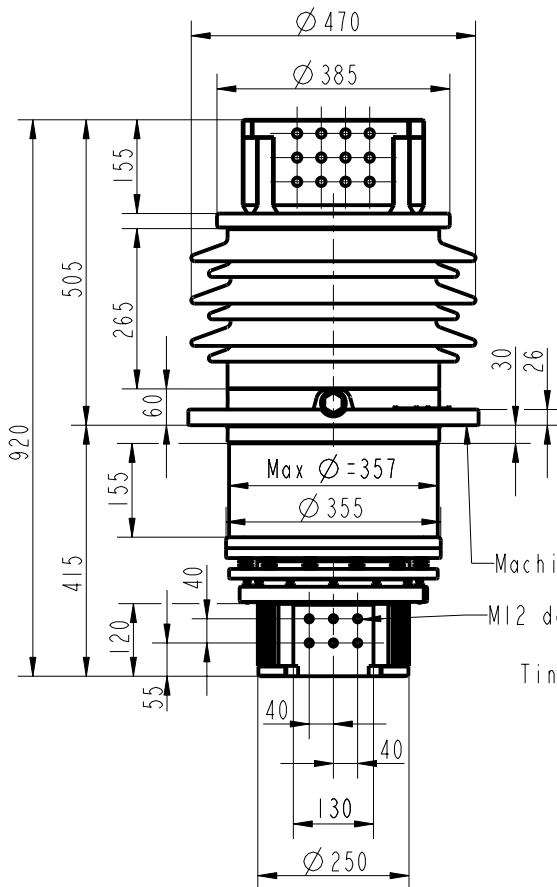


| Rev Ind | Revision | Appd | Date |
|---------|-------------------------|------|-------|
| 1 | REDRAWN | ER | 00 17 |
| 2 | New current ref IZSE... | MC | 05 19 |



Signatures acc. to revision 0 are valid
Signaturer enligt revision 0 gäller

| RATING | IEC | ANSI |
|--|-----|------|
| RATED VOLTAGE (KV) | 36 | - |
| PHASE TO GROUND MAX. (kV) | 36 | 22 |
| POWER FREQUENCY WET (kV) | 70 | 75 |
| POWER FREQUENCY DRY (kV) | 70 | 80 |
| LIGHTNING IMPULSE (kV) | 170 | 200 |
| INSULATION CLASS (kV) | - | 34.5 |
| CURRENT CARRYING CAPACITY ACC. TO IZSE2750-107 | | |
| CREEPAGE DISTANCE 760 mm | | |
| MASS 175 kg | | |
| CATALOGUE NUMBER LF 126 008-A | | |

We reserve all rights in this document and in the information contained therein. Reproduction, use or disclosure to third parties without express authority is strictly forbidden. ©ABB

Production engineering review

Inspection engineering review

Design engineering review
HOLMSTRÖM

| | | | |
|---------------------|--|---|-----------------------------------|
| Based on | Reg. No. | Title BUSHING GOH 170-16 GENOMFÖRING GOH 170-16 | Language 82 |
| Prepared JANSSON | Responsible department COM/KB 91 40 | | |
| Approved HEYMAN | Take over department | Page 1(1) | Document No. 2751312-16 |
| Revision | Database | | |
| ABB | | | |