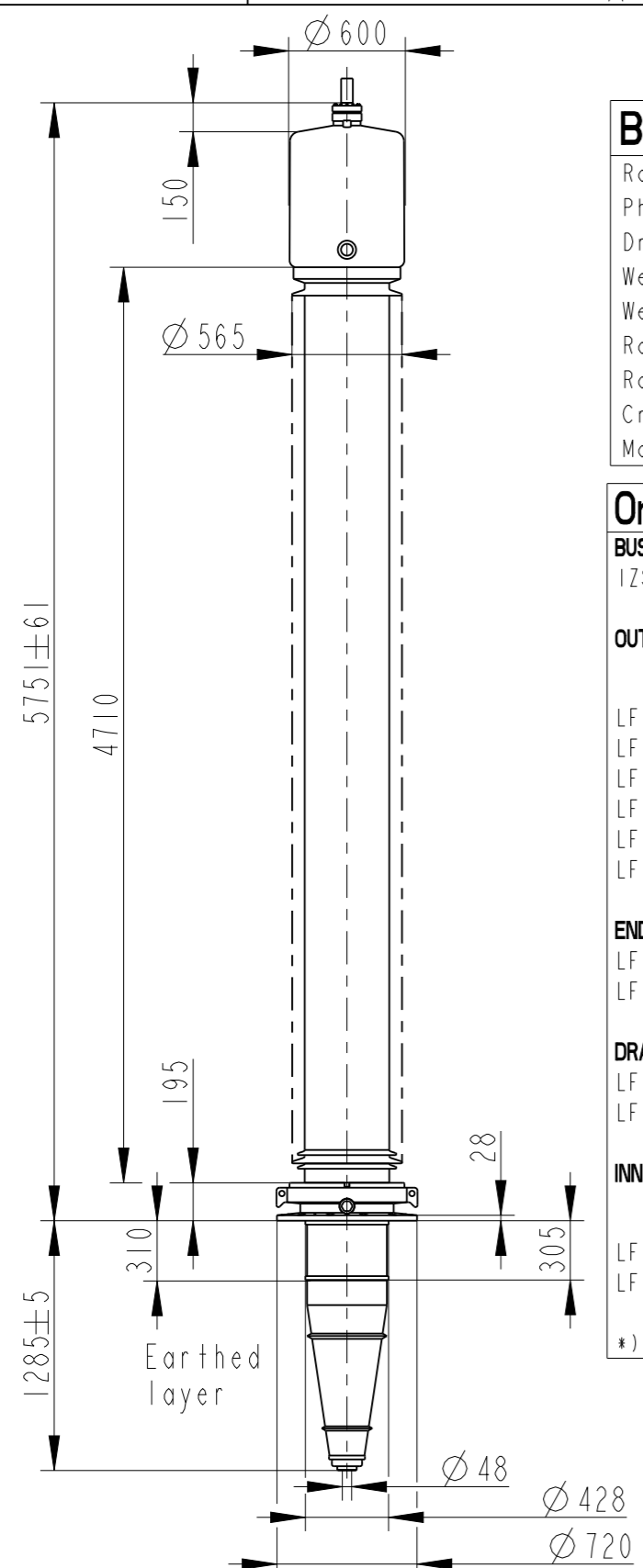


This document is issued by means of a computerized system. The digitally stored original is electronically approved. The approved document has a date entered in the "Approved"-field. A manual signature is not required.

The information contained in this document has to be kept strictly confidential. Any unauthorized use, reproduction, distribution or disclosure to third parties are strictly forbidden. ABB reserves all rights regarding Intellectual Property Rights. © Copyright 2010 ABB. All rights reserved.



Bushing Data:

Rated Voltage	550 kV
Phase to-earth Voltage	318 kV
Dry Lightning Impulse 1,2/50µs	1675 kV
Wet Switching Impulse	1300 kV
Wet Power frequency AC	870 kV
Routine test Imin dry 50Hz	750 kV
Rated Current	2500 A
Creepage Distance	18020 mm
Mass	1750 kg

Ordering Data:

BUSHING	COLOUR AIR INSULATOR				
IZSC902550-BAA	BROWN				
OUTER TERMINAL	Max. Rated Current (A)	H2 (mm)	D2 (mm)		
LF170 073-A	Al	2500	125	60	
LF170 073-B	Cu	4000	125	60	
LF170 073-G	Cu/Ag	4000	125	60	
LF170 073-L	Cu/Sn	4000	125	60	
LF170 073-BA	Cu/Ag	3000	125	2"-12UN	
LF170 073-AA	Cu	5000	125	96	
END-SHIELD	EPOXY INSULATED				
LF170 046-V	INSULATED WITH 3 mm PRESSBOARD				
DRAW ROD SYSTEM	LOWER DRAW ROD WITH NI=4 OR NI=6				
LF170 059-DD OR-AU	UPPER DRAW ROD				
INNER TERMINAL	D3 (mm)	D9 (mm)	Cond.area (mm ²)	Current (A) IEC	Current (A) IEEE
LF170 056-E	0 *)	45	-	-	-
LF170 056-D	40	45	600	1600	1360

*) WITH PILOT HOLE D=5

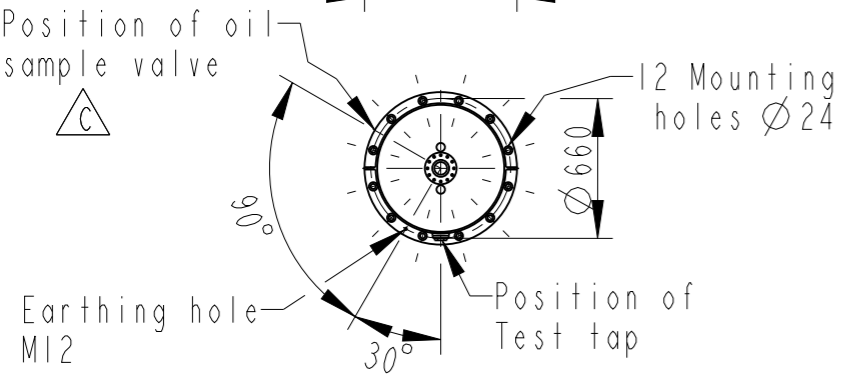
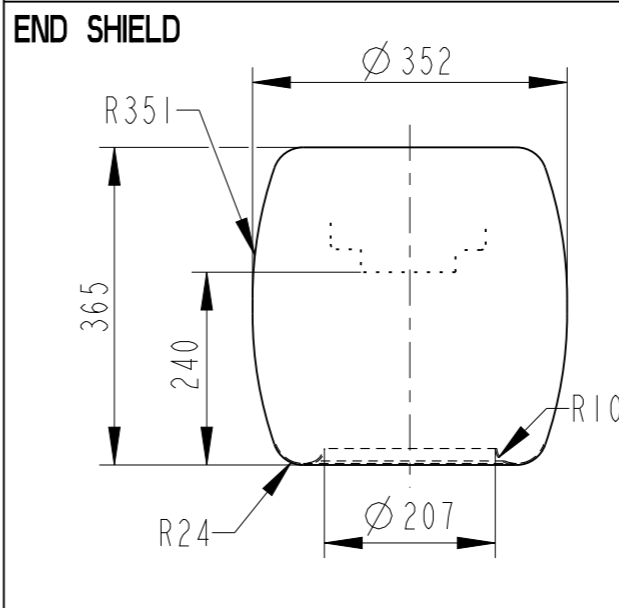
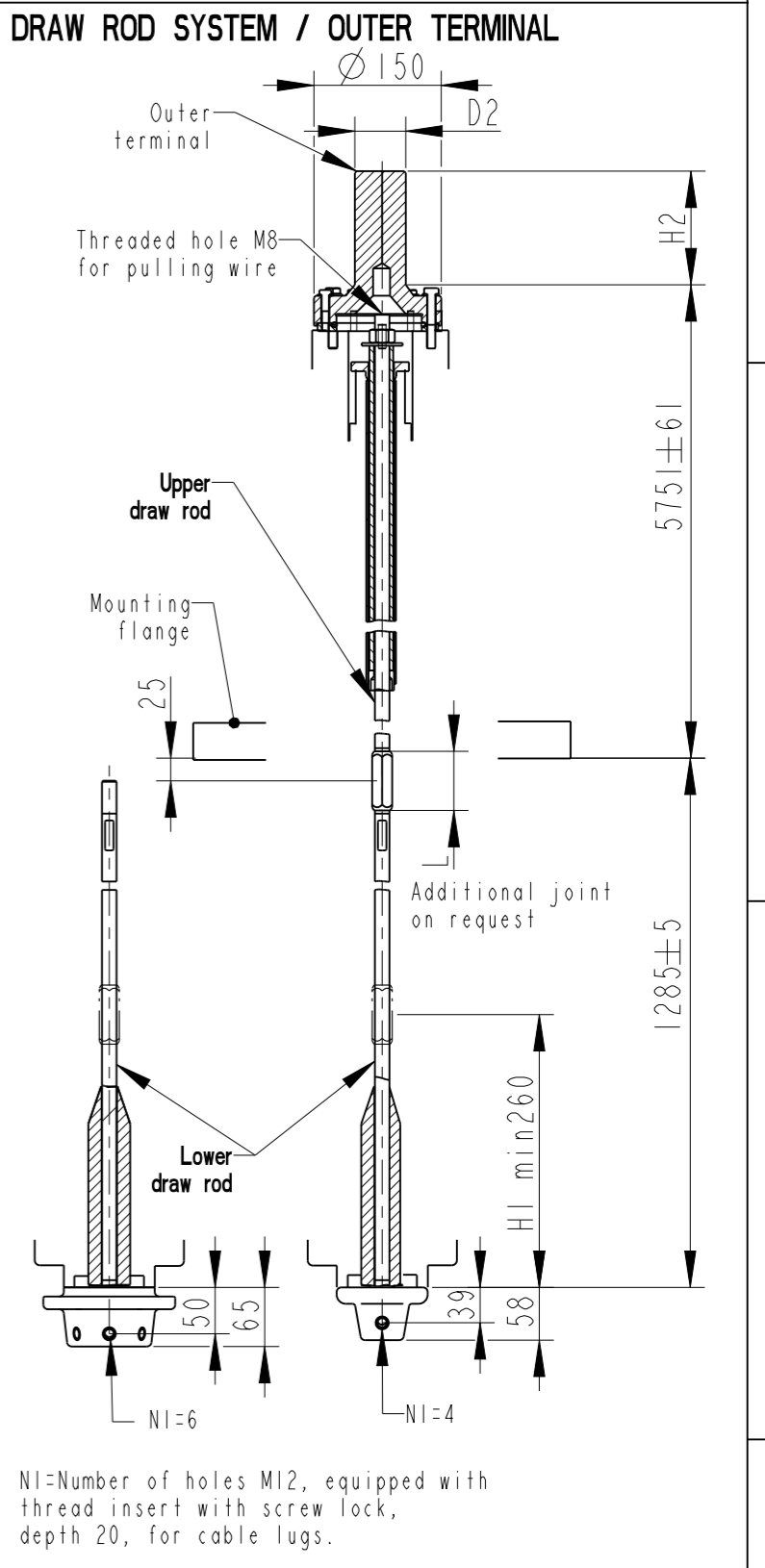
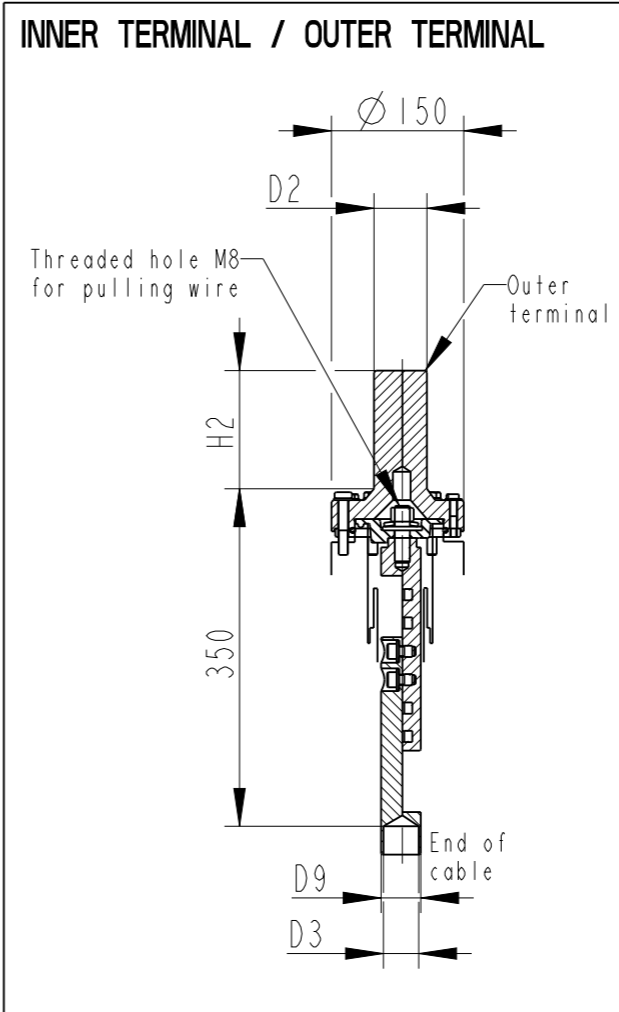


ABB Lubika, Sweden

No.	Um/Uy	kV Ir	A	50/60 Hz
BIL	kV	SIL	kV AC	kV
M	kg	L	mm	D
C1	pF	Tanδ	z	
C2	pF	Tanδ	z	

Prepared	Ali Amin	2010-02-24	Responsible department	PPCO/BK	Title	
Modified by	Palpandi K	2010-10-13	Take over department		GOE 1675-1300-2500-0.3	
Approved by	Urban Schander	2010-10-15	Used in product		GOE 1675-1300-2500-0.3	
Revision	C	Added note "Position of oil sample valve"			Order	
Document no.					2751369-323	No. Shts. (1)

