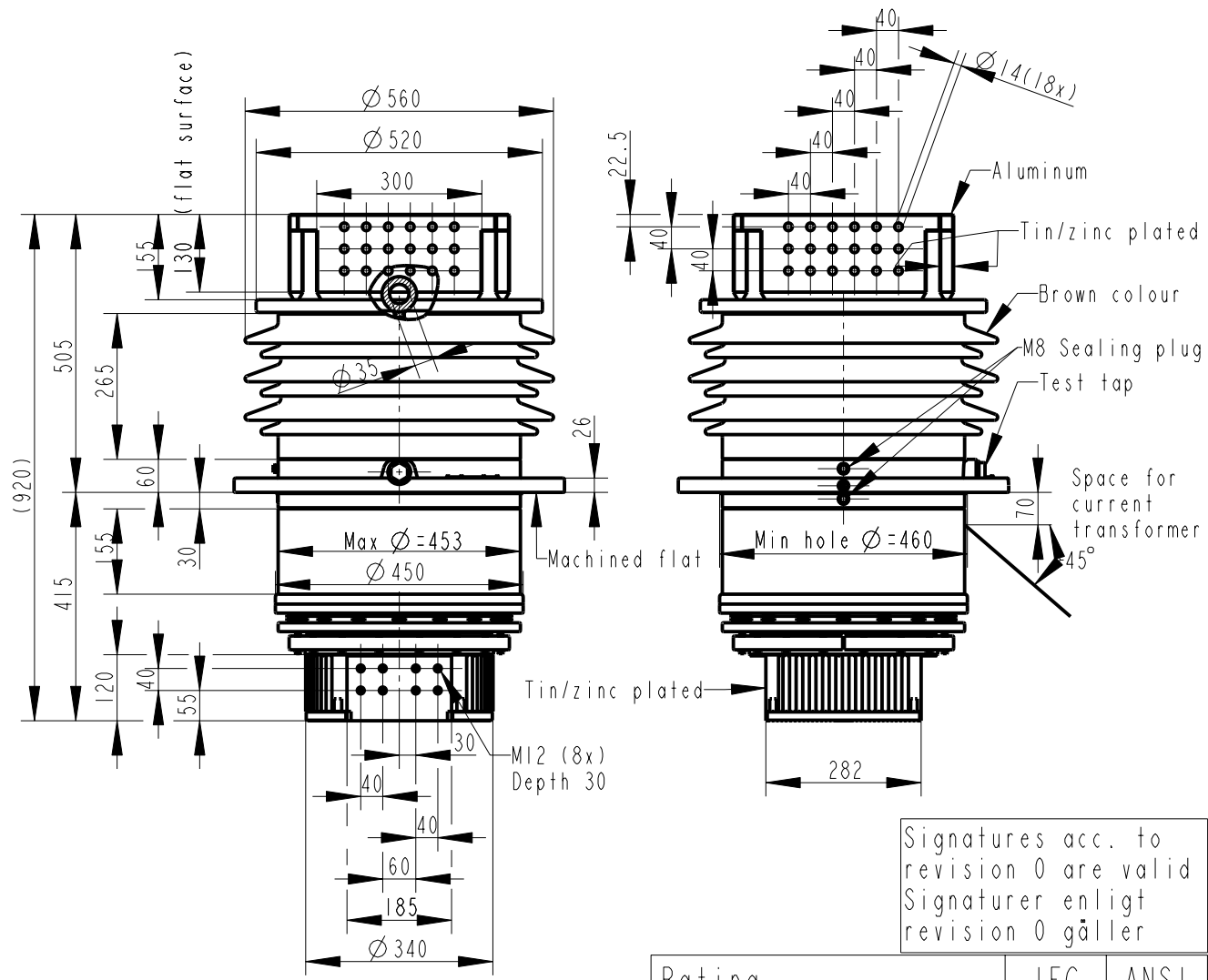


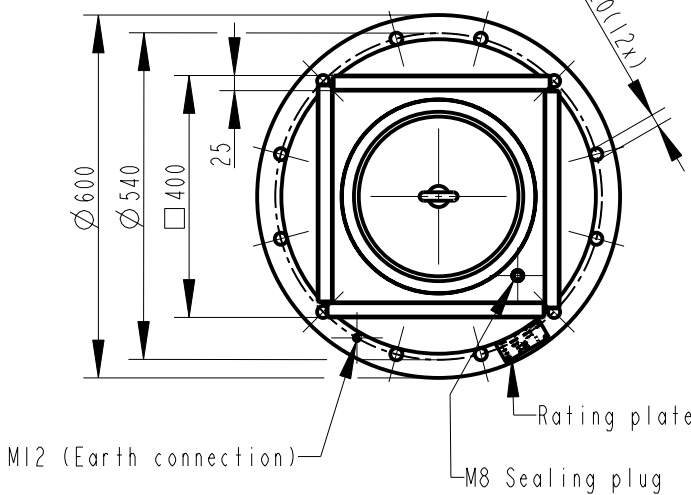
Rev Ind	Revision	Appd	Date
2	Redrawn for ProE New current ref IZSE...	MC MG	05 20



We reserve all rights in this document and in the information contained therein. Reproduction, use or disclosure to third parties without express authority is strictly forbidden. ©ABB

Signatures acc. to revision 0 are valid
Signaturer enligt revision 0 gäller

Rating	IEC	ANSI
Rated voltage (kV)	36	-
Phase to ground max. (kV)	36	22
Power frequency wet (kV)	70	75
Power frequency dry (kV)	70	80
Lightning impulse (kV)	170	200
Insulation class (kV)	-	34.5
Current carrying capacity acc to IZSE2750-107		
Creepage distance 760 mm		
Mass 280 kg		
Catalogue number LF126009-A		



Inspection engineering review
Design engineering review
Production engineering review
Heyman

Based on	Reg. No.	Title Bushing GOH 170-25 Genomföring GOH 170-25	Language 82
Prepared Jansson	Responsible department COM/BK 91 40		
Approved Holmström	Take over department	Page 1(1)	Document No. 2751312-17
Revision	Database		
ABB			