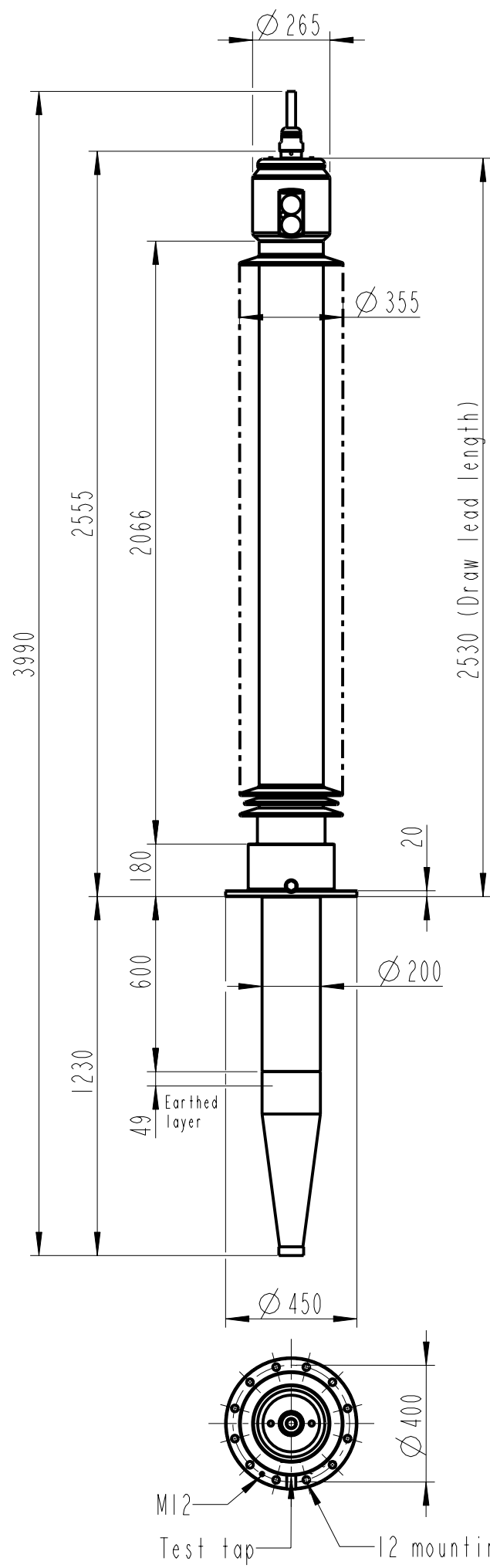


Rev Ind	Revision	Appd	Date
2	LF170092-D added	MG	04 37



Bushing Data:	
Rated Voltage	300 kV
Phase to-earth Voltage	173 kV
Dry Lightning Impulse 1,2/50 μ s	1050 kV
Wet Switching Impulse	750 kV
Wet Power frequency AC	510 kV
Routine test 1min dry 50Hz	510 kV
Rated Current	1100 A
Creepage Distance nominal	7700 mm
Creepage Distance minimum	7550 mm
Mass	350 kg

Ordering Data:	
BUSHING	COLOUR AIR INSULATOR
LF123 280 -K / -L	Brown / Light grey
OUTER TERMINAL	
LF 170 001-B	Al, $\varnothing 30$, L=125
LF 170 002-B	Cu, $\varnothing 30$, L=125
OTHER TYPES ON REQUEST	
INNER TERMINAL FOR STRANDED CABLE	
For brazing	Conductor area
LF 170 011-T	up to 285 mm ²
LF 170 011-V	Undrilled with pilot hole
SOLID ROD CONNECTOR	
LF 170 052-FA	for Alt.1
LF 170 052-FB	for Alt.2
LF 170 052-FC	For Alt.3
END SHIELD	
LF 170 092-B	Epoxy insulated
LF 170 092-D	Insulated with 3 mm pressboard

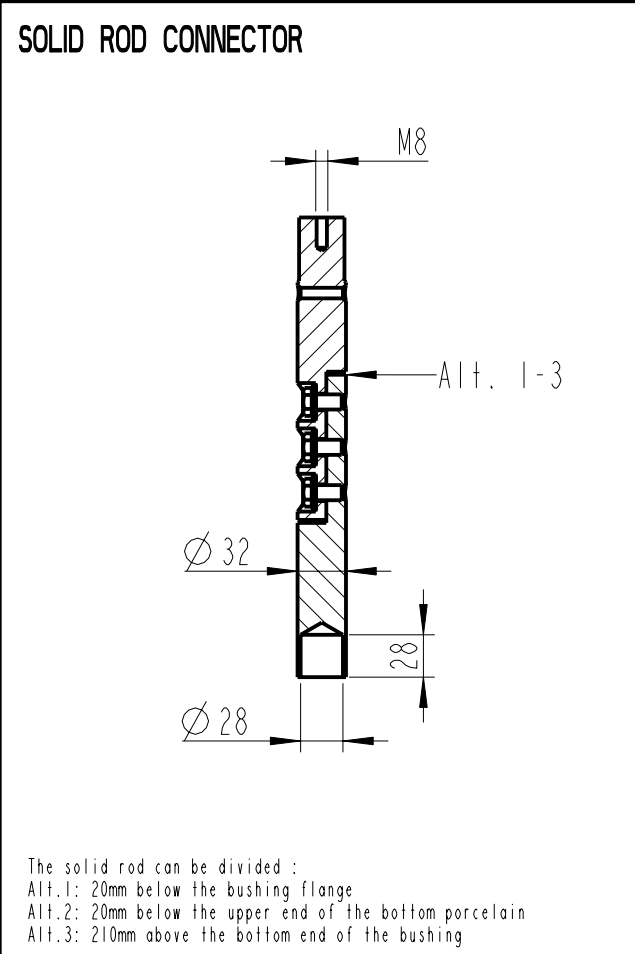
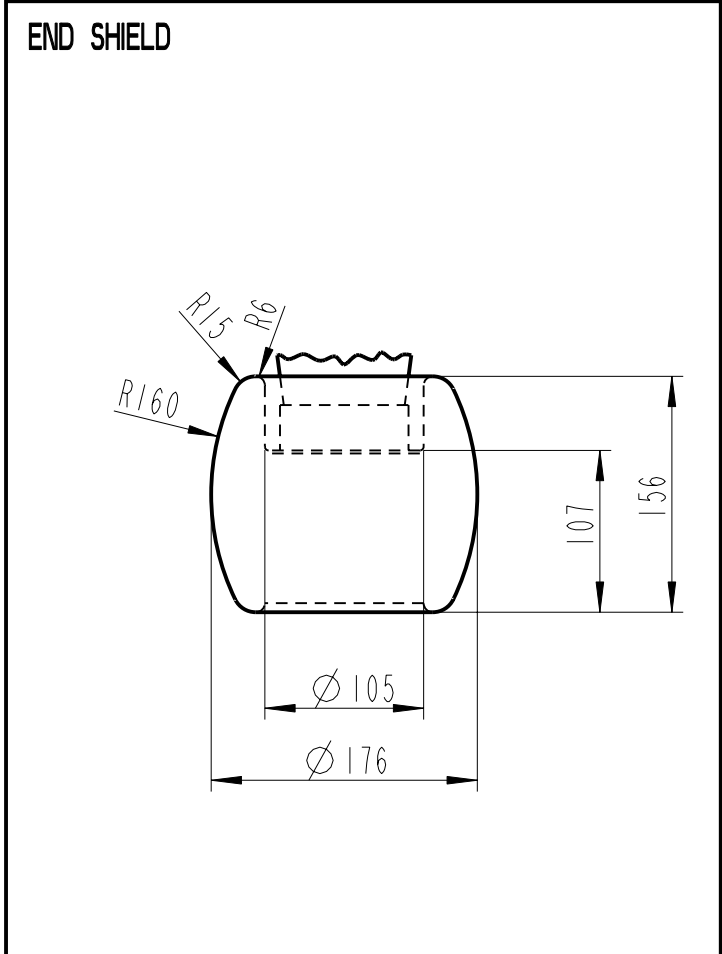
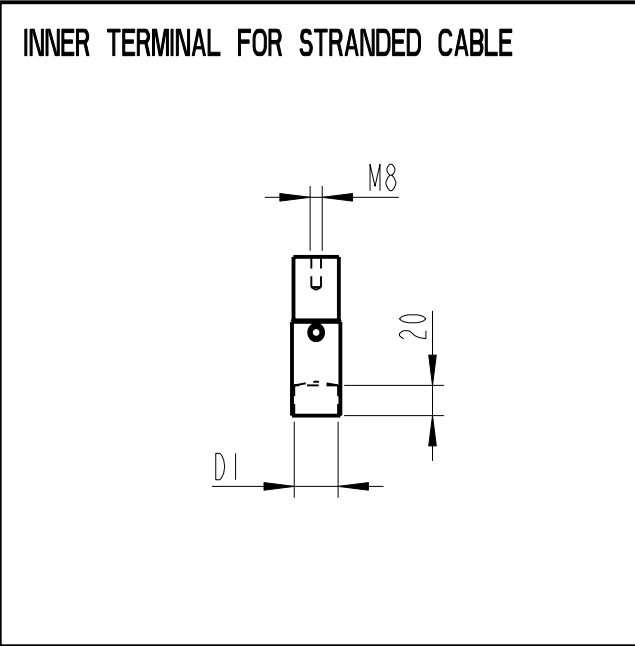
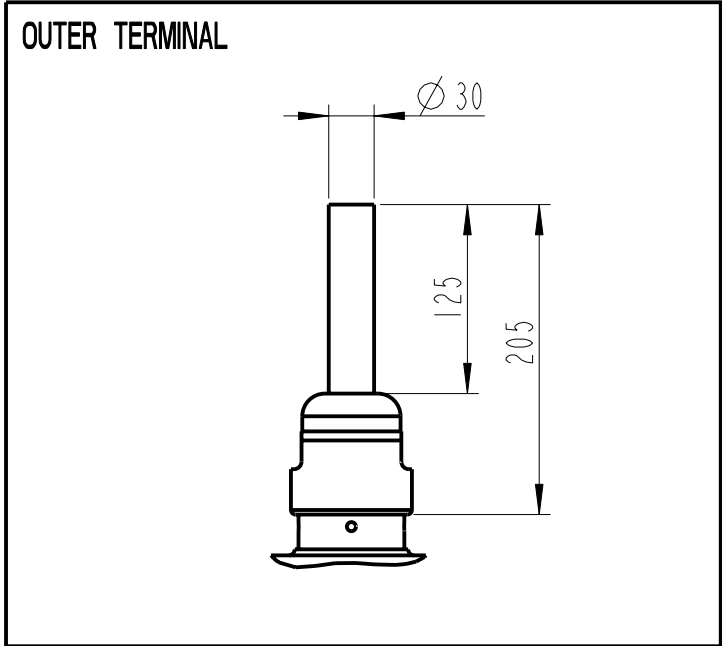


ABB		Ludvika, Sweden	
No.		kV	A 50/60 Hz
Um/Uy		Ir	kV
LI / SI / AC			
M	kg	L	mm
C1	pF	Tan δ	x
C2	pF	Tan δ	x

Signatures acc. to revision 0 are valid
Signaturer enligt revision 0 gäller

Based on	Reg. No.	Title	Language
Prepared	Responsible department		
T Eriksson	PTCOM/BD 02 32	GOB-1050-750-1100-0.6	82
Approved	Take over department		
R Johansson			
Design engineering review	Database		Page
M Gullo			1(1)
ABB		Document No.	
		2751400-7	

We reserve all rights in this document and in the information contained therein. Reproduction, use or disclosure to third parties without express authority is strictly forbidden. ©ABB