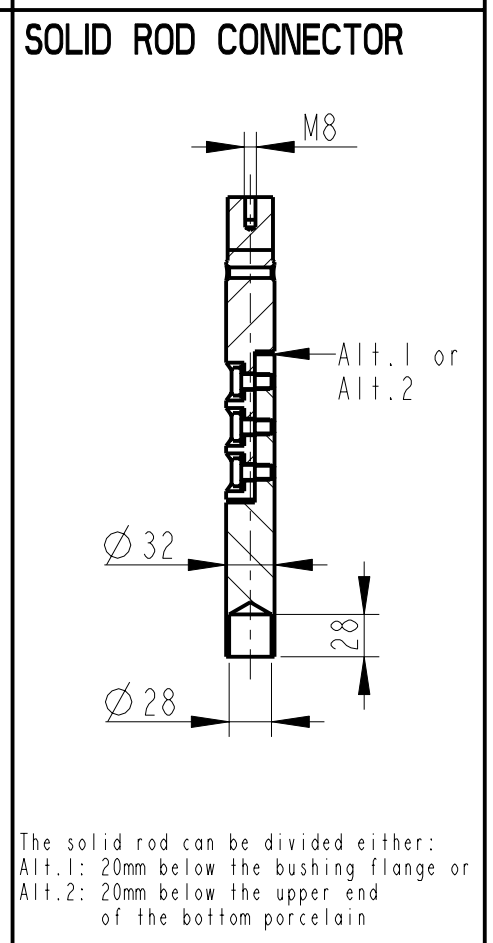
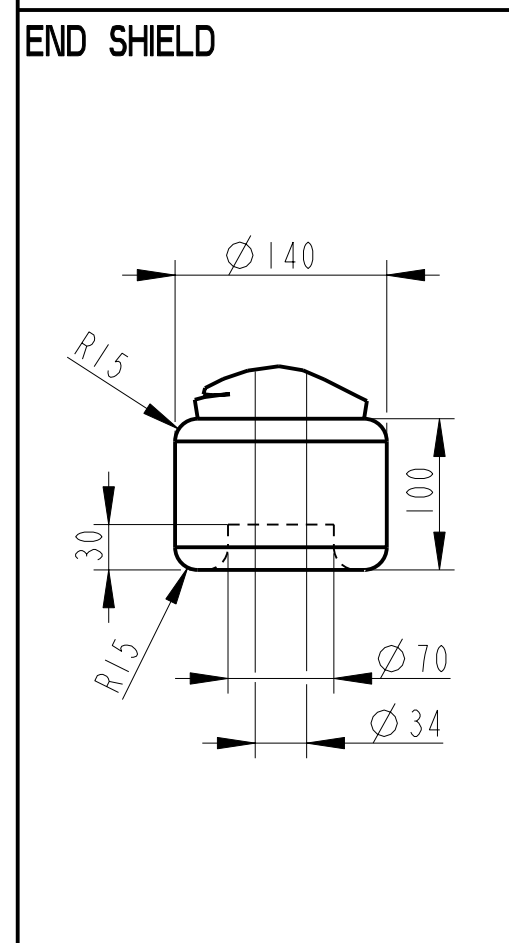
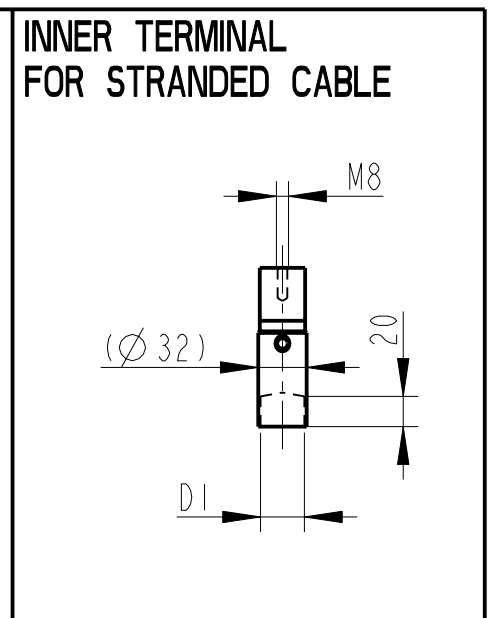
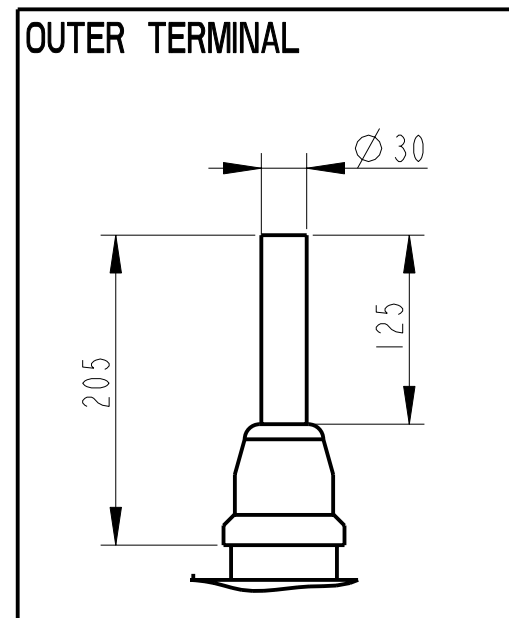
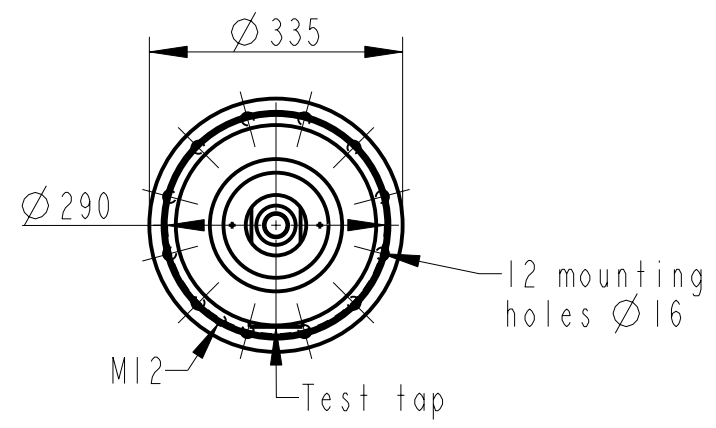
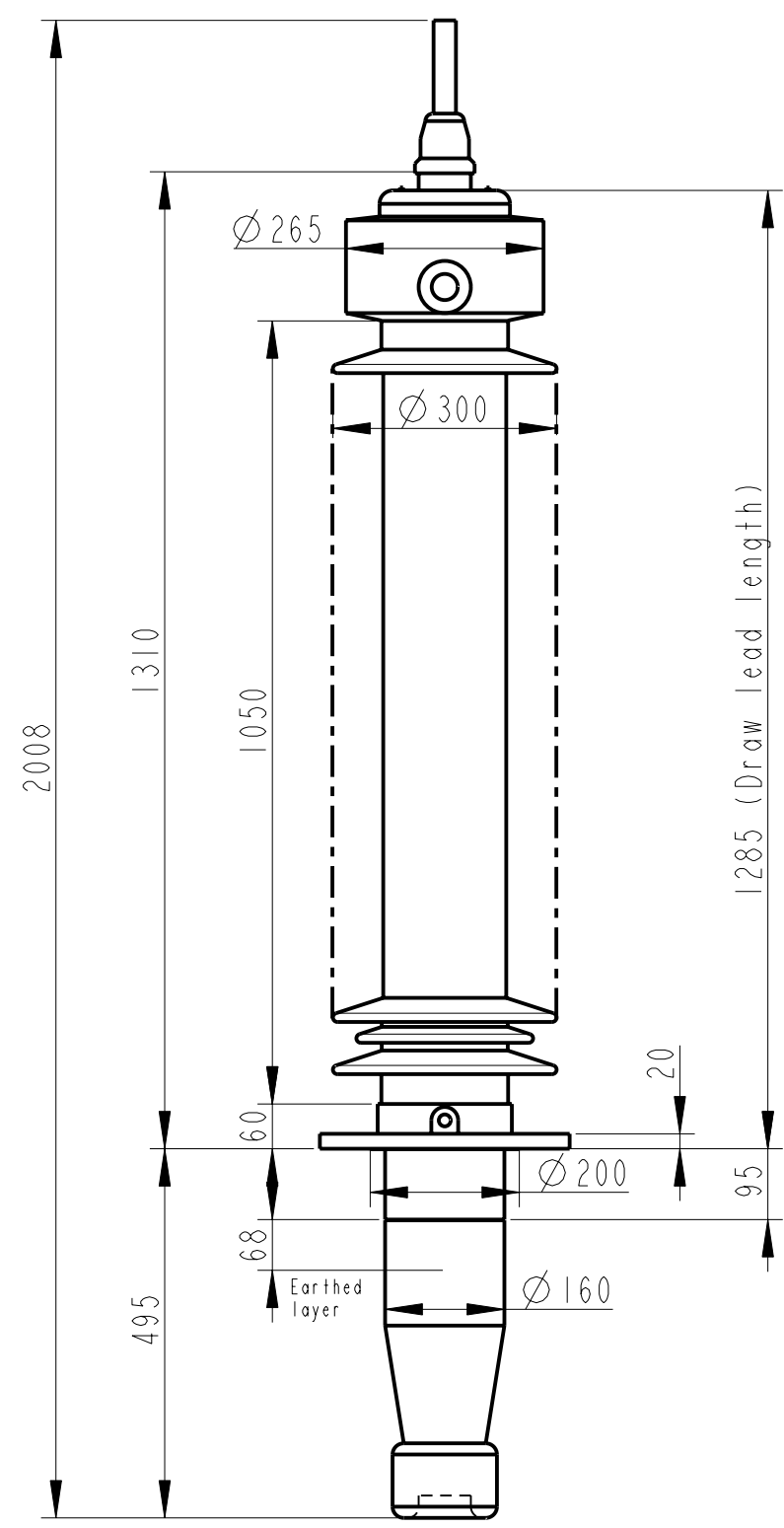


Rev	Ind	Revision	Appd	Date
1			TL	01-38



### Bushing Data:

Rated Voltage	170	kV
Phase to Ground Voltage	123	kV
Dry Lightning Impulse 1,2/50μs	550	kV
Wet power frequency AC	230	kV
Routine test lmin dry 50Hz	260	kV
Rated Current	1250	A
Creepage Distance	3430±100	mm
Creepage Distance Protected	1350	mm
Mass	106	kg

### Ordering Data:

<b>BUSHING</b>	COLOUR AIR INSULATOR
LF123142-K	BROWN
-L	LIGHT GREY
<b>OUTER TERMINAL</b>	
LF 170 002-B	Cu, Ø 30, L=125
LF 170 001-B	Al, Ø 30, L=125
OTHER TYPES ON REQUEST	
<b>INNER TERMINAL FOR STRANDED CABLE</b>	
For brazing	Conductor area DI
LF 170 011-T	up to 285mm <sup>2</sup> Ø 29
LF 170 011-V	Undrilled with pilot hole Ø 5
<b>SOLID ROD CONNECTOR</b>	
LF 170 052 -AT	for Alt.1
N/A for Alt.2	

**ABB Components** Luleå, Sweden

No.	U <sub>r</sub>	U <sub>i</sub>	SI	AC	kV	I <sub>r</sub>	A	50/60	Hz
Cl	PF	Tan δ			kg	L	mm	V	
C2	PF	Tan δ							

Based on	Reg. No.
Prepared Lövnord	Responsible department COM/BK
Approved Johansson	Take over department
Design engineering review Gudmundsson	Database
<b>ABB</b> ABB Components	

Title	GOB 550-1250-0 WITH OIL LEVEL GAUGE SHORT END SHIELD
Page	1(1)
Document No.	2751369-211

We reserve all rights in this document and in the information contained therein. Reproduction, use or disclosure to third parties without express authority is strictly forbidden. ©ABB