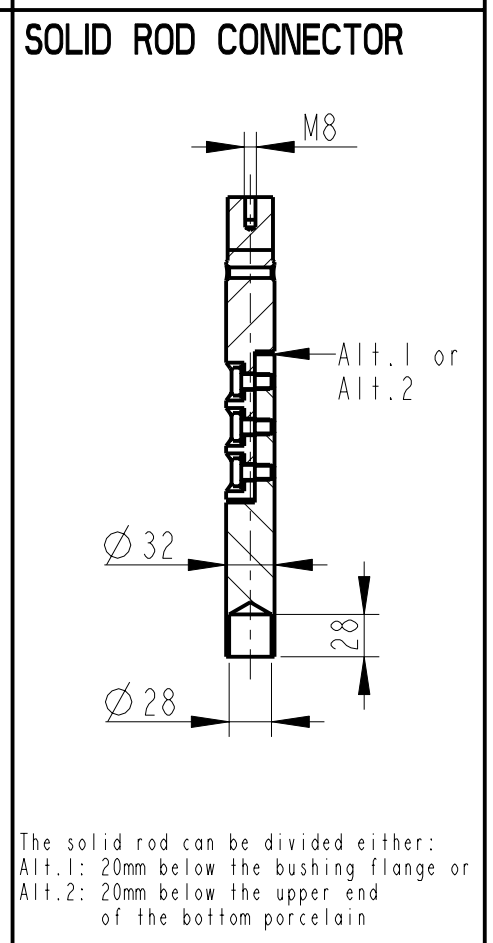
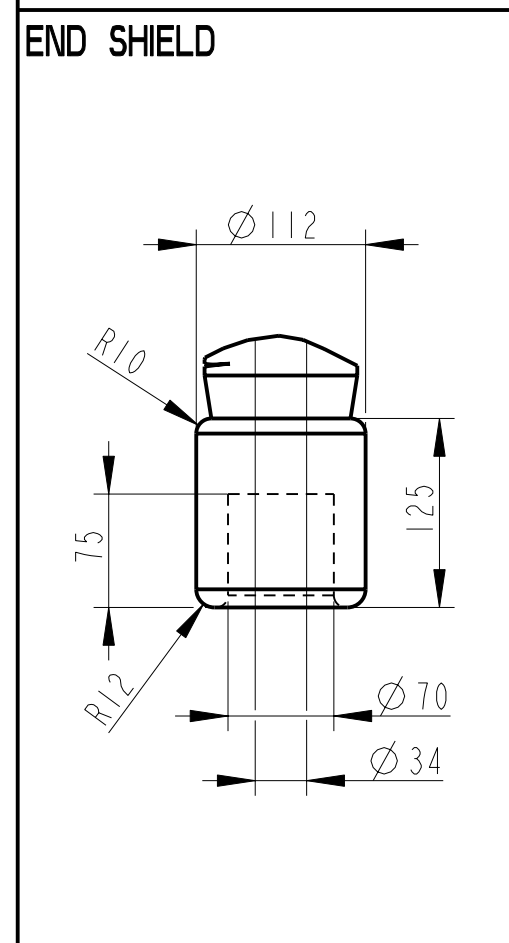
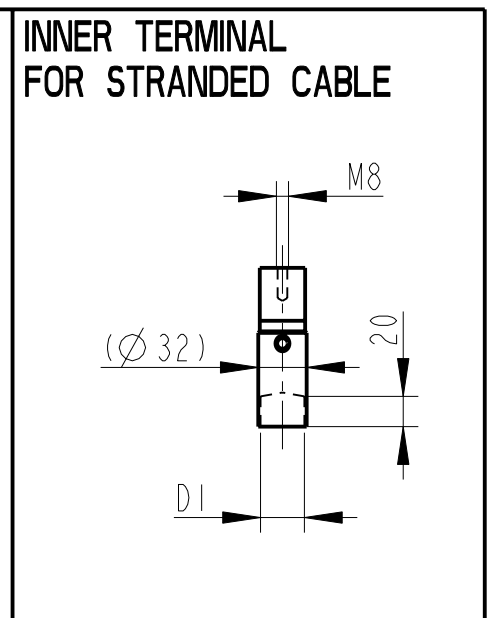
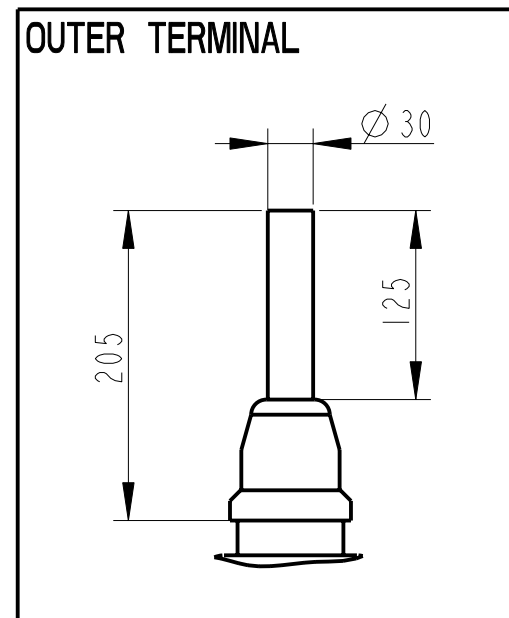
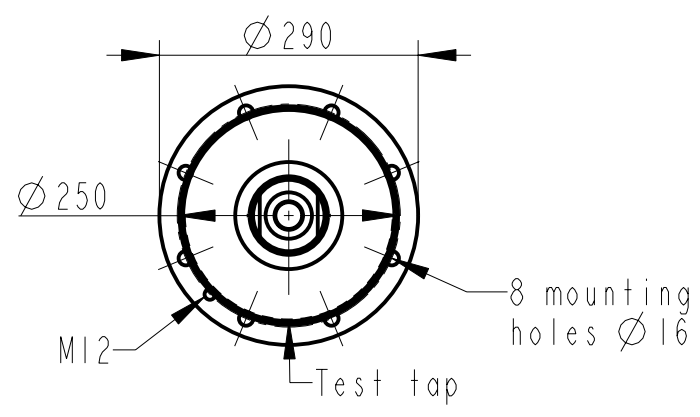
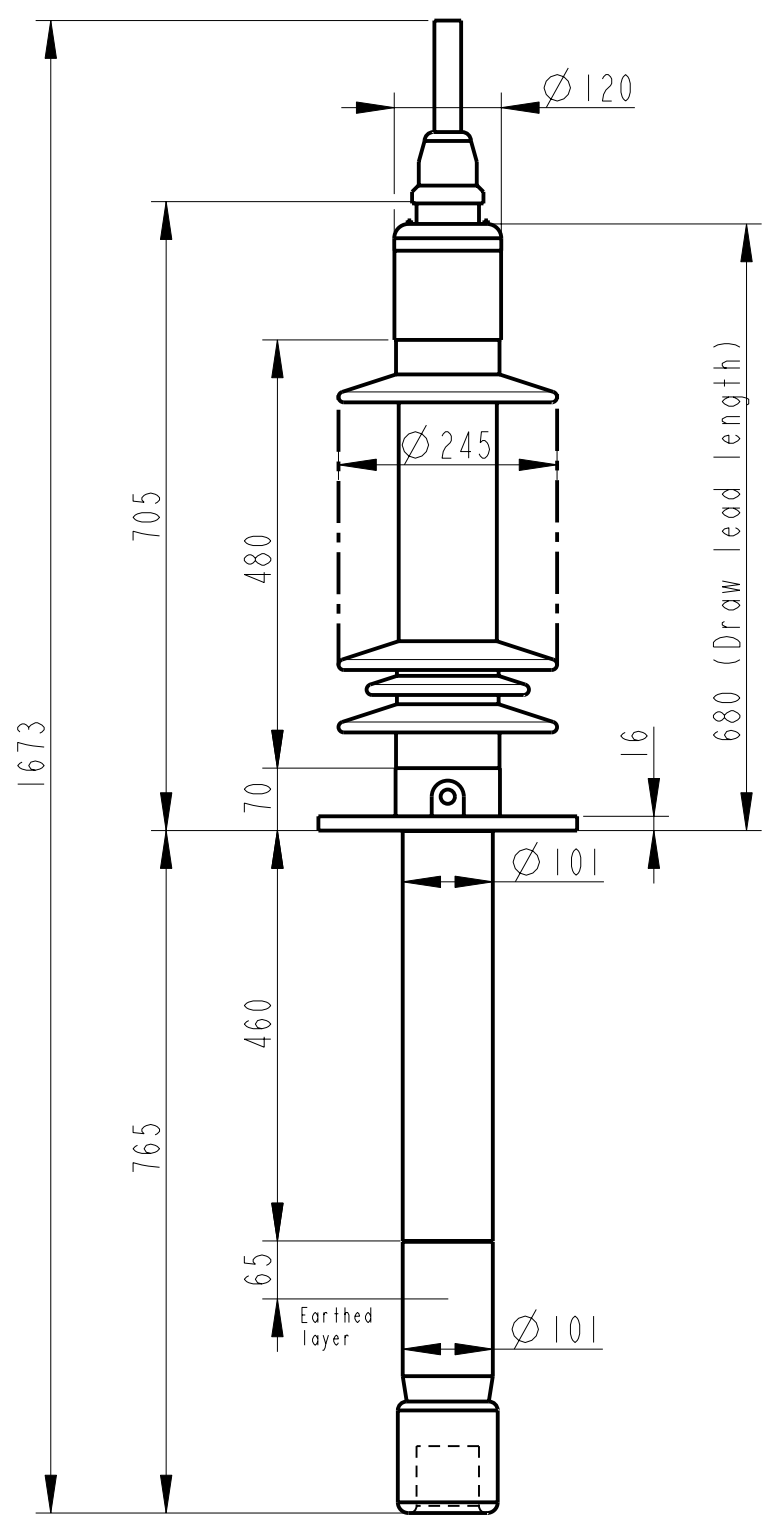


Rev	Ind	Revision	Appd	Date
1			TL	01-38



Bushing Data:

Rated Voltage	52	kV
Phase to Ground Voltage	52	kV
Dry Lightning Impulse 1,2/50µs	250	kV
Wet power frequency AC	105	kV
Routine test Imin dry 50Hz	120	kV
Rated Current	1250	A
Creepage Distance	1500±50	mm
Creepage Distance Protected	580	mm
Mass	31	kg

Ordering Data:

BUSHING	COLOUR	AIR INSULATOR
LF123085-M		BROWN
-N		LIGHT GREY
OUTER TERMINAL		
LF 170 002-B	Cu, Ø 30, L=125	
LF 170 001-B	Al, Ø 30, L=125	
OTHER TYPES ON REQUEST		
INNER TERMINAL FOR STRANDED CABLE		
For brazing	Conductor area	DI
LF 170 011-T	up to 285mm ²	Ø 29
LF 170 011-V	Undrilled with pilot hole	Ø 5
SOLID ROD CONNECTOR		
LF 170 052 -E for Alt.1		
LF 170 052 -C for Alt.2		

ABB Components Luleå, Sweden

No. kv A 50/60 Hz
 U₁ / S₁ / AC kv A 50/60 Hz
 M kg L mm V
 C1 PF Tan δ r
 C2 PF Tan δ r

Based on	Reg. No.
Prepared Lövnord	Responsible department COM/BK 0036
Approved Johansson	Take over department
Design engineering review Gudmundsson	Database
ABB ABB Components	

Title	Page
GOB 250-1250-0.5 WITHOUT OIL LEVEL GAUGE LONG END SHIELD	1(1)
Document No.	
2751369-120	

We reserve all rights in this document and in the information contained therein. Reproduction, use or disclosure to third parties without express authority is strictly forbidden. ©ABB