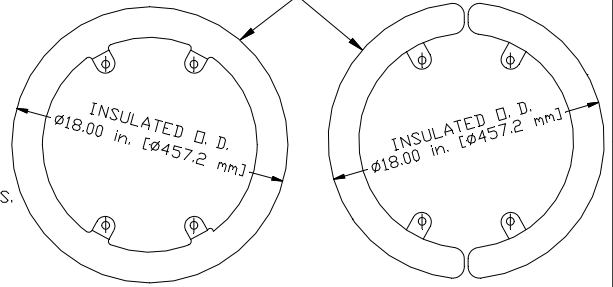
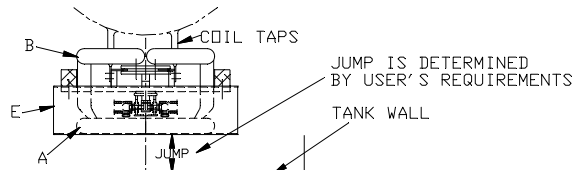


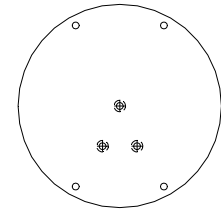
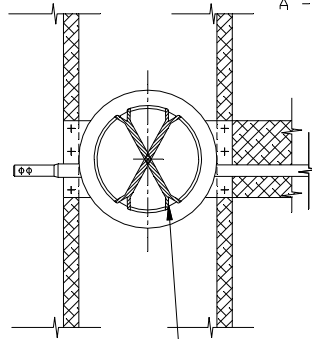
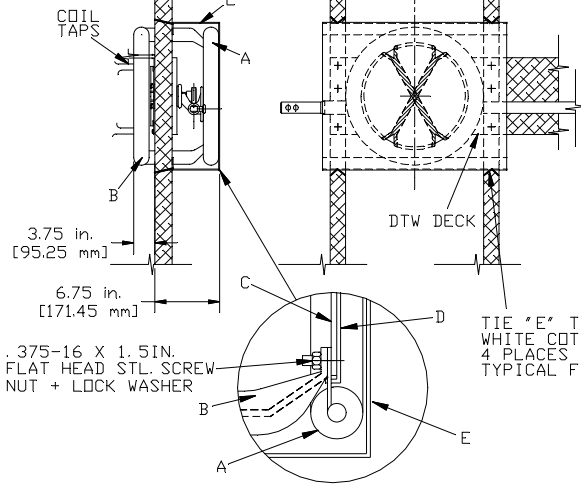
LEVEL 2 SHIELDING SEE INSTRUCTION LEAFLET IL44-751-1

.625 in. TAPE THICKNESS
[15.88 mm]

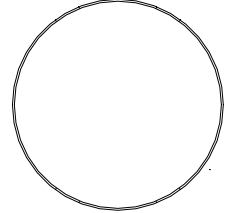


A - OUTER SHIELD

B - INNER SHIELDS



C - MOUNTING PLATE

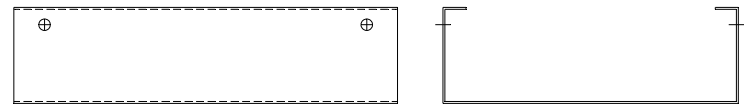


D - BARRIER

TIE 'E' TO UPRIGHT WITH WHITE COTTON TAPE IN 4 PLACES AS SHOWN. TYPICAL FOR ALL SHIELDS.

TIE 'C' TO 'D' WITH WHITE COTTON TAPE IN 2 PLACES AS SHOWN. TYPICAL FOR ALL SHIELDS.

.375-16 X 1.5 IN. FLAT HEAD STL. SCREW NUT + LOCK WASHER



E - OUTER BARRIER

WE RESERVE ALL RIGHTS IN THIS DOCUMENT AND IN THE INFORMATION CONTAINED HEREIN. REPRODUCTION, USE OR DISCLOSURE TO THIRD PARTIES WITHOUT EXPRESS AUTHORITY IS STRICTLY FORBIDDEN. ABB

1	ACTIVE
2	USC
3	REVISIONS

ABB Inc. ALAMD, TN U.S.A.			
TITLE: LEVEL 2 SHIELDING ASSEMBLY FOR DTW			
RESP. DEPT.:	COMPONENTS		
DRWN: R. VANDENBOSCH	12/07/01		UNITS = INCHES
CHKD:			SCALE = DD NOT
APPD:		LANG = ENGLISH	
		DRAWING NO: 1C29194	