

ABB Components'

Newsletter

Information to ABB Components' customers

No. 1, November 1996

Dear customer,

This is the first issue of the ABB Components Newsletter. This first issue will be distributed according to our documents mailing list. We will publish and distribute the newsletter when we have new developments or other interesting topics to tell you about. Later, if it works out well, the newsletter will be published more regularly. This information is also available in the TFO Information database in Lotus Notes. Please let us know if you have any comments!

Catharina Malmberg

ABB Components Newsletter

Publisher: Henrik Stomberg
henrik.stomberg@secom.mail.abb.se

Editor: Catharina Malmberg
catharina.malmberg@secom.mail.abb.se

Address: ABB Components
S-771 80 Ludvika
Sweden

Fax No.: +46 240 121 57

Notice

xxxxxxxxxxxxxxxxxxx x xxxkfjifjkej
lewkdfjgkdfjg kls dfjgk ldsfjgksdfjg gj
kdfjgkdfjg kdfjg kdfjg kdfg
kfgjsdkfgjskdlöfg fkgjdfkbgcbvbkhlödf
hdfiy o 9t890 t dfglotufgmmhfkfgfg dg
fg gkjg fkg fkjgfkfg fgfgk gj fkguf gfjk
fkg fljg öjd kj fgj kjg kfgjutir lkfg djgk
utioer tgfdkg iu k lfgksdf glfgfgksdf
glfg fgksdf glfg fgksdf glfg fgksdf glfg
fgksdf glfg fgksdf glfg fgksdf glfg
fgksdf glfg fgksdf glfg fgksdf glfg

Standard Tanks for Tap-Changers UZE and UZF

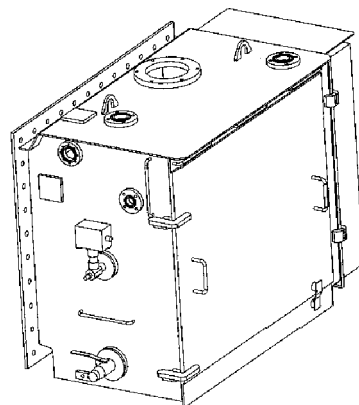
The tanks for tap-changers UZE and UZF have been standardized to get

- shorter delivery times than today and reduced costs
- great flexibility for accessories to meet customer needs.

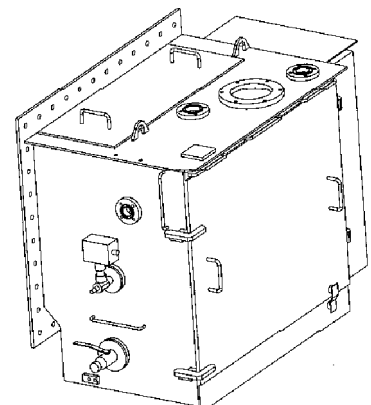
There will be a standard tank for each size of UZE and UZF. The standard tanks will have a number of standard flanges intended for different accessories. Flanges that are not used will be mounted with greyblue covers. Adapter flanges can be bolted on if the sizes of the standard flanges are not suitable.

A non-standard tank can also be ordered, but then to a higher price and a longer delivery time than the standard tank.

The new standard tanks will be introduced in 1997. A more specific date for the production start as well as the new dimension drawings will be sent to you in the next newsletter.



UZE standard tank
with standard accessories



UZF standard tank
with standard accessories

New Cabinets for Motor-Drive Mechanism BUE and Hand-Drive Mechanism BUH 3

The new cabinets will be used for orders which are handled from November 18.

The cabinets for BUE and BUH 3 have been changed. A new type of gasket is used for the doors.

The width of the BUE 1 cabinet has been increased with 20 mm. The increase is a result of the requirements in the Low Voltage Directive 73/23/EEC.

With this newsletter you will find enclosed the new dimension drawings for the cabinets.



Hand-drive mechanism BUH 3