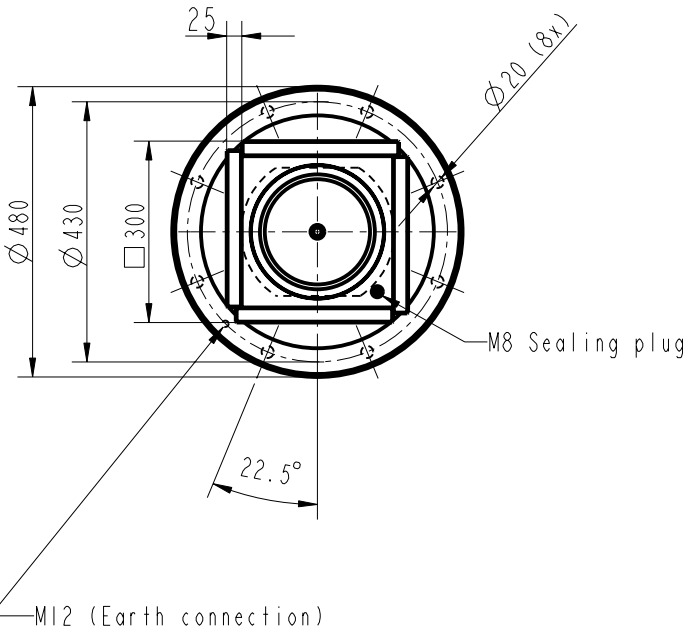
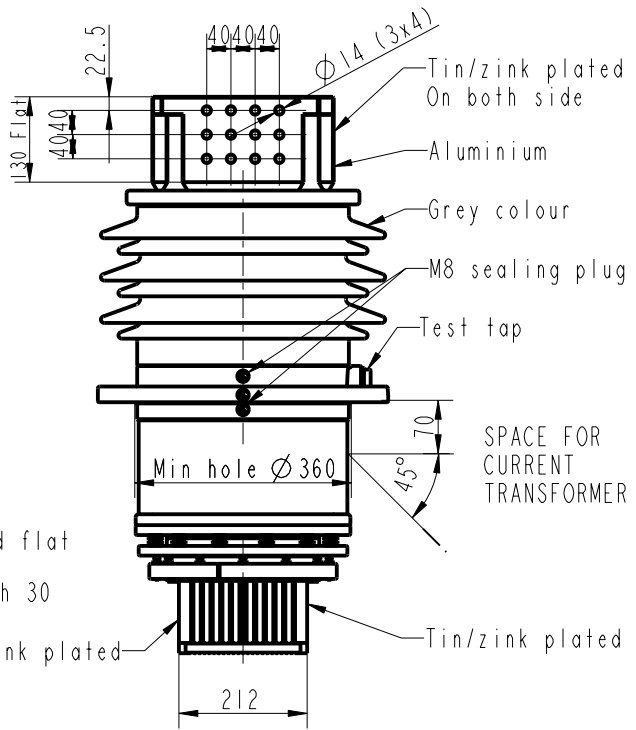
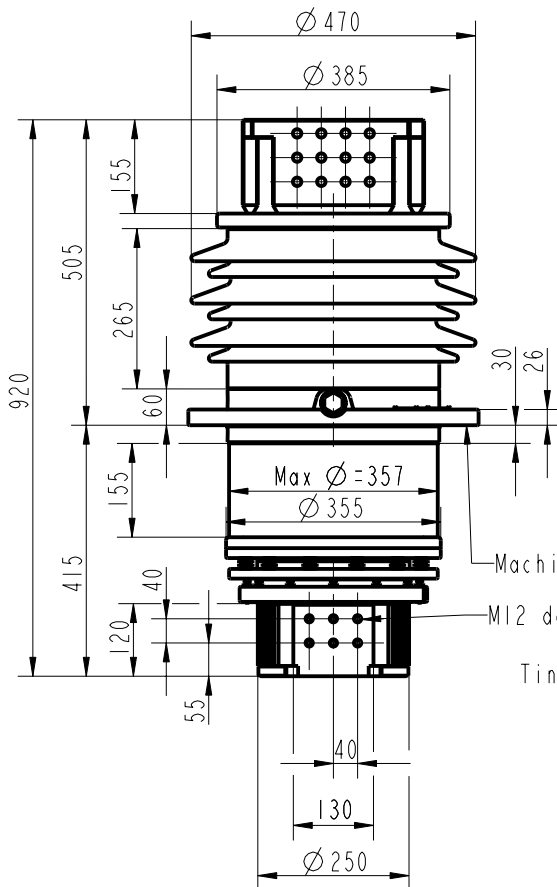


Rev Ind	Revision	Appd	Date
1	REDRAWN	ER	00 17
2	New current ref IZSE...	MC	05 19



Signatures acc. to revision 0 are valid
Signaturer enligt revision 0 gäller

RATING	IEC	ANSI
RATED VOLTAGE (KV)	36	-
PHASE TO GROUND MAX. (kV)	36	22
POWER FREQUENCY WET (kV)	70	75
POWER FREQUENCY DRY (kV)	70	80
LIGHTNING IMPULSE (kV)	170	200
INSULATION CLASS (kV)	-	34.5
CURRENT CARRYING CAPACITY ACC. TO IZSE2750-107		
CREEPAGE DISTANCE 760 mm		
MASS 175 kg		
CATALOGUE NUMBER LF 126 008-B		

Inspection engineering review
 Design engineering review
 HOLMSTRÖM

Based on	Reg. No.	BUSHING GOH 170-16 GENOMFÖRING GOH 170-16
Prepared JANSSON	Responsible department COM/KB 91 48	
Approved HEYMAN	Take over department	
Revision	Database	



Document No.	2751312-19
Language	82
Page	1(1)

We reserve all rights in this document and in the information contained therein. Reproduction, use or disclosure to third parties without express authority is strictly forbidden.