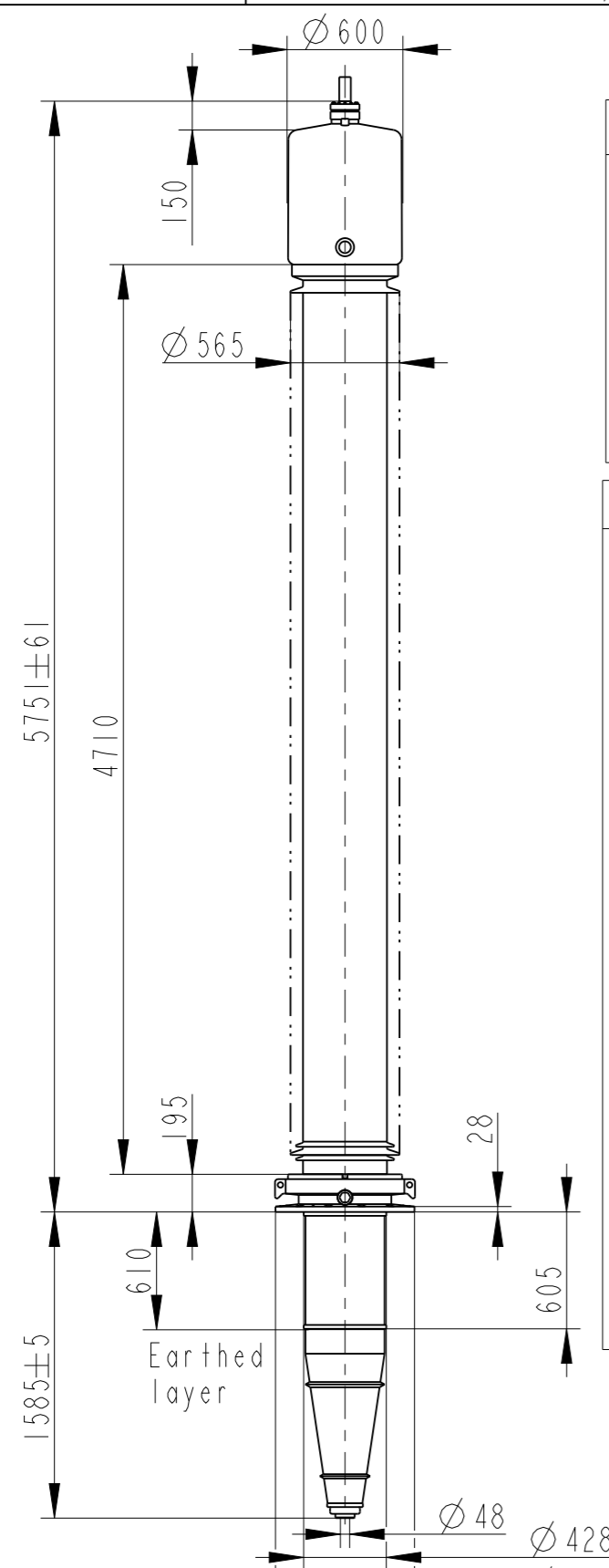


This document is issued by means of a computerized system. The digitally stored original is electronically approved. The approved document has a date entered in the "Approved"-field. A manual signature is not required.

The information contained in this document has to be kept strictly confidential. Any unauthorized use, reproduction, distribution or disclosure to third parties are strictly forbidden. ABB reserves all rights regarding Intellectual Property Rights. © Copyright 2010 ABB. All rights reserved.



**Bushing Data:**

Rated Voltage	550 kV
Phase to-earth Voltage	318 kV
Dry Lightning Impulse 1,2/50µs	1675 kV
Wet Switching Impulse	1300 kV
Wet Power frequency AC	870 kV
Routine test Imin dry 50Hz	750 kV
Rated Current	2500 A
Creepage Distance	18020 mm
Mass	1785 kg

**Ordering Data:**

<b>BUSHING</b>	COLOUR AIR INSULATOR			
IZSC902550-BAB	BROWN			
<b>OUTER TERMINAL</b>	Max. Rated H2	D2		
	Current (A)(mm)	(mm)		
LF170 073-A	Al 2500 125	60		
LF170 073-B	Cu 4000 125	60		
LF170 073-G	Cu/Ag 4000 125	60		
LF170 073-L	Cu/Sn 4000 125	60		
LF170 073-BA	Cu/Ag 3000 125	2"-12UN		
LF170 073-AA	Cu 5000 125	96		
<b>END-SHIELD</b>	EPOXY INSULATED			
LF170 046-V	INSULATED WITH 3 mm PRESSBOARD			
<b>DRAW ROD SYSTEM</b>	LF170 059-DC OR-AT LOWER DRAW ROD WITH NI=4 OR NI=6			
LF170 057-AC	UPPER DRAW ROD			
<b>INNER TERMINAL</b>	D3	D9	Cond.area	Current (A)
	(mm)	(mm)	(mm <sup>2</sup> )	IEC IEEE
LF170 056-E	0 *)	45	-	-
LF170 056-D	40	45	600	1600 1360

\*) WITH PILOT HOLE D=5

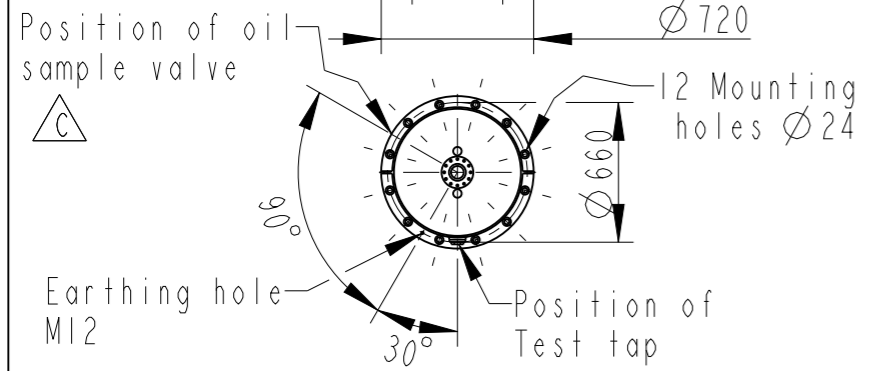
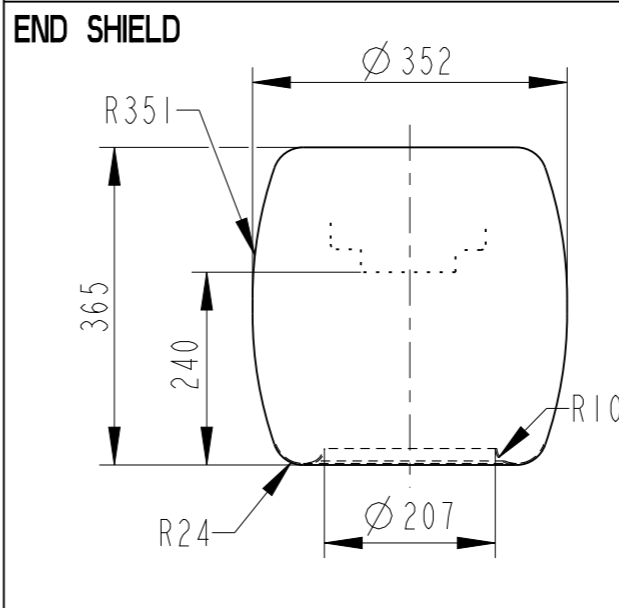
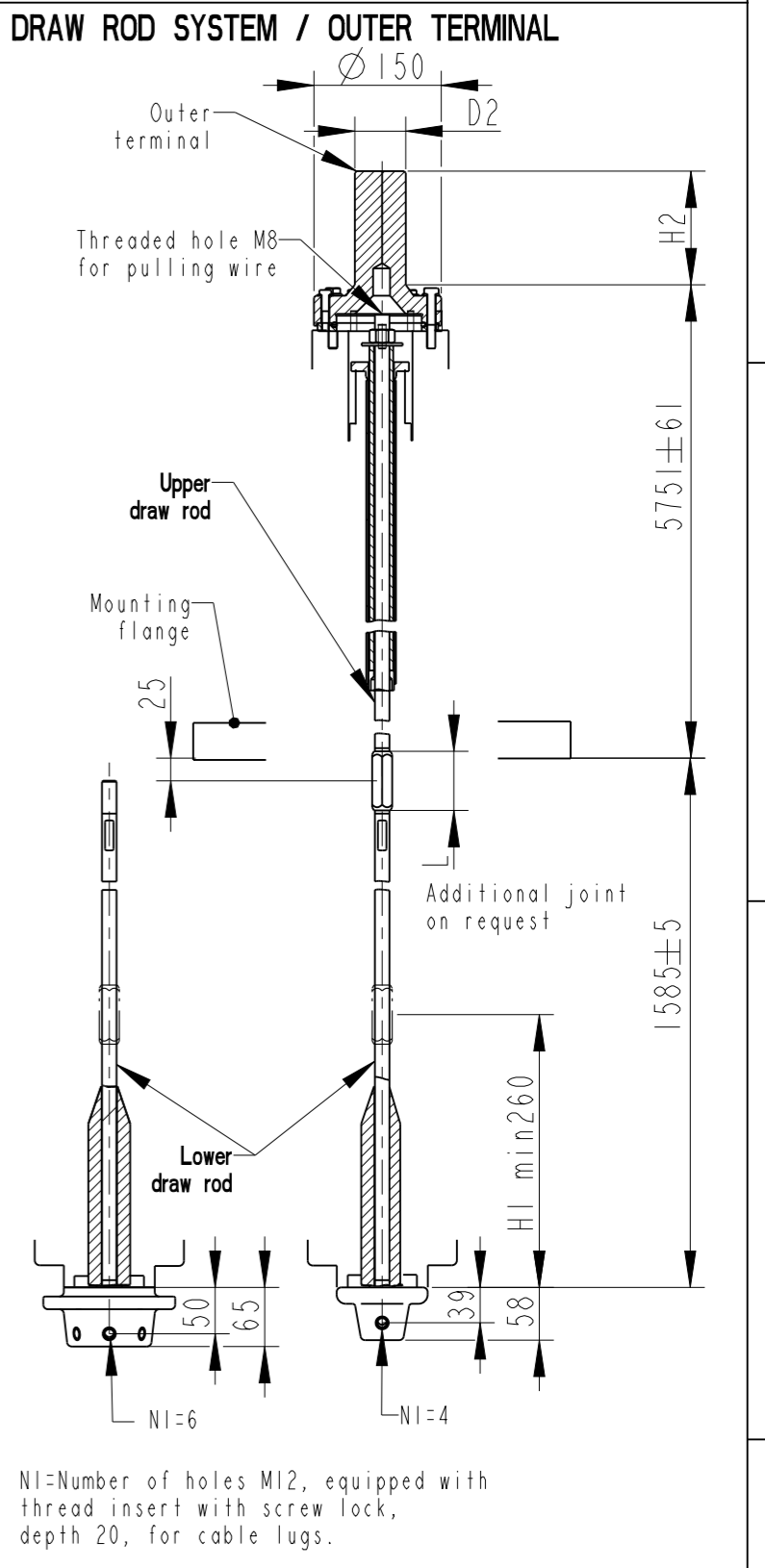
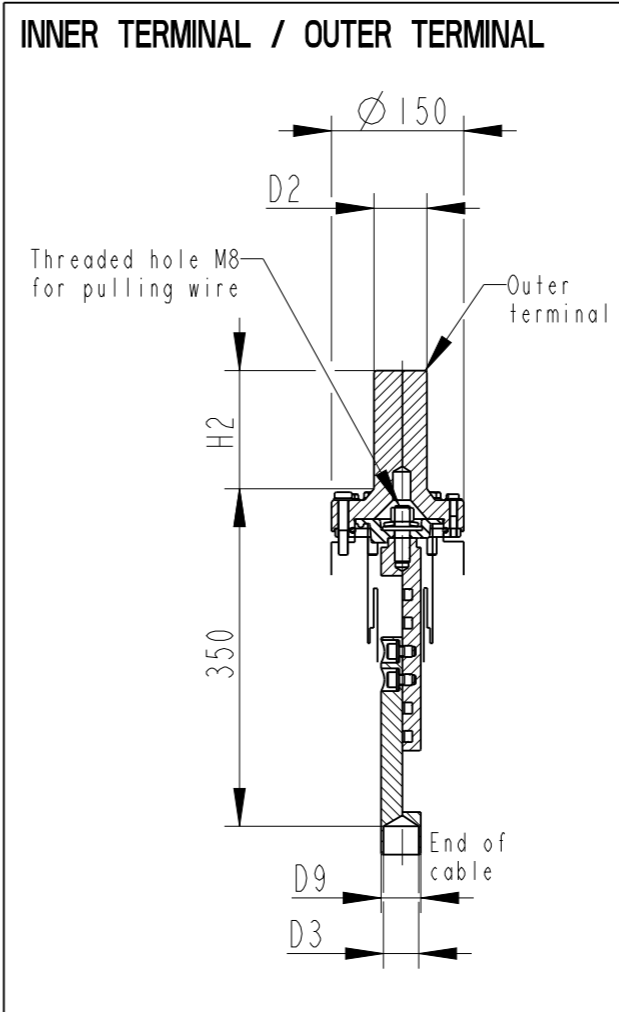


ABB Luthika, Sweden

No.	Um/Uy	kV Ir	A	50/60 Hz
BIL	kg L	kV AC	mm D	kV
C1	pF	Tanδ	z	
C2	pF	Tanδ	z	

Prepared	Ali Amin	2010-02-24	Responsible department	PPCO/BK	Title	
Modified by	Palpandi K	2010-10-13	Take over department		GOE 1675-1300-2500-0.6	
Approved by	Urban Schander	2010-10-15	Used in product		GOE 1675-1300-2500-0.6	
Revision	C Added note "Position of oil sample valve"			Order		
Document no.				2751369-324	No. Shts.	(1)

