

Rev	Ind	Revision	Appd	Date

Bushing Data:

Rated Voltage	52	kV
Phase to-earth Voltage	52	kV
Dry Lightning Impulse 1,2/50µs	250	kV
Wet Switching Impulse	210	kV
Wet Power frequency AC	120	kV
Routine test Imin dry 50Hz	120	kV
Rated Current	3150	A
Creepage Distance	1425	mm
Mass	200	kg

Ordering Data:

BUSHING COLOUR AIR INSULATOR
 LF121051 -A / -AA BROWN / LIGHT GREY

OUTER TERMINAL

	H2	D2
	(mm)	(mm)
LF170 073-A Al	125	60
LF170 073-B Cu	125	60
LF170 073-G Cu/Ag	125	60
OTHER TYPES ON REQUEST		

END-SHIELD
 LF170 046-U EPOXY INSULATED
 LF170 046-UP INSULATED WITH 3 mm PRESSBOARD

DRAW ROD SYSTEM
 LF170 059 LOWER DRAW ROD WITH NI=4 OR NI=6
 LF170 057 UPPER DRAW ROD

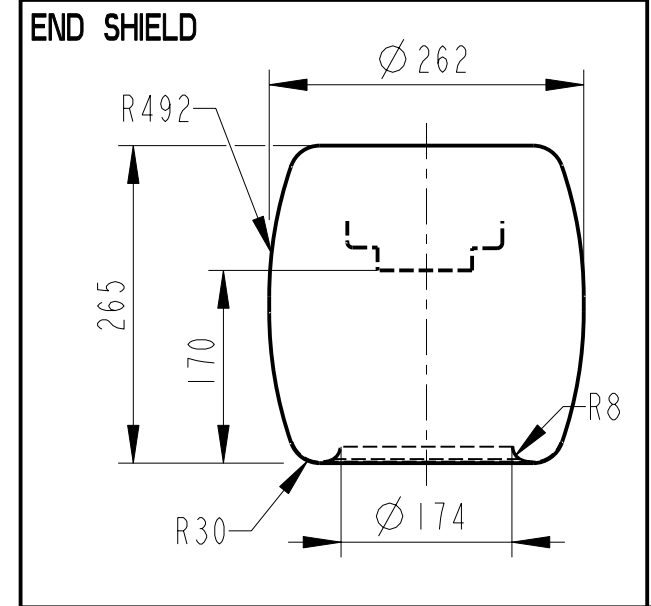
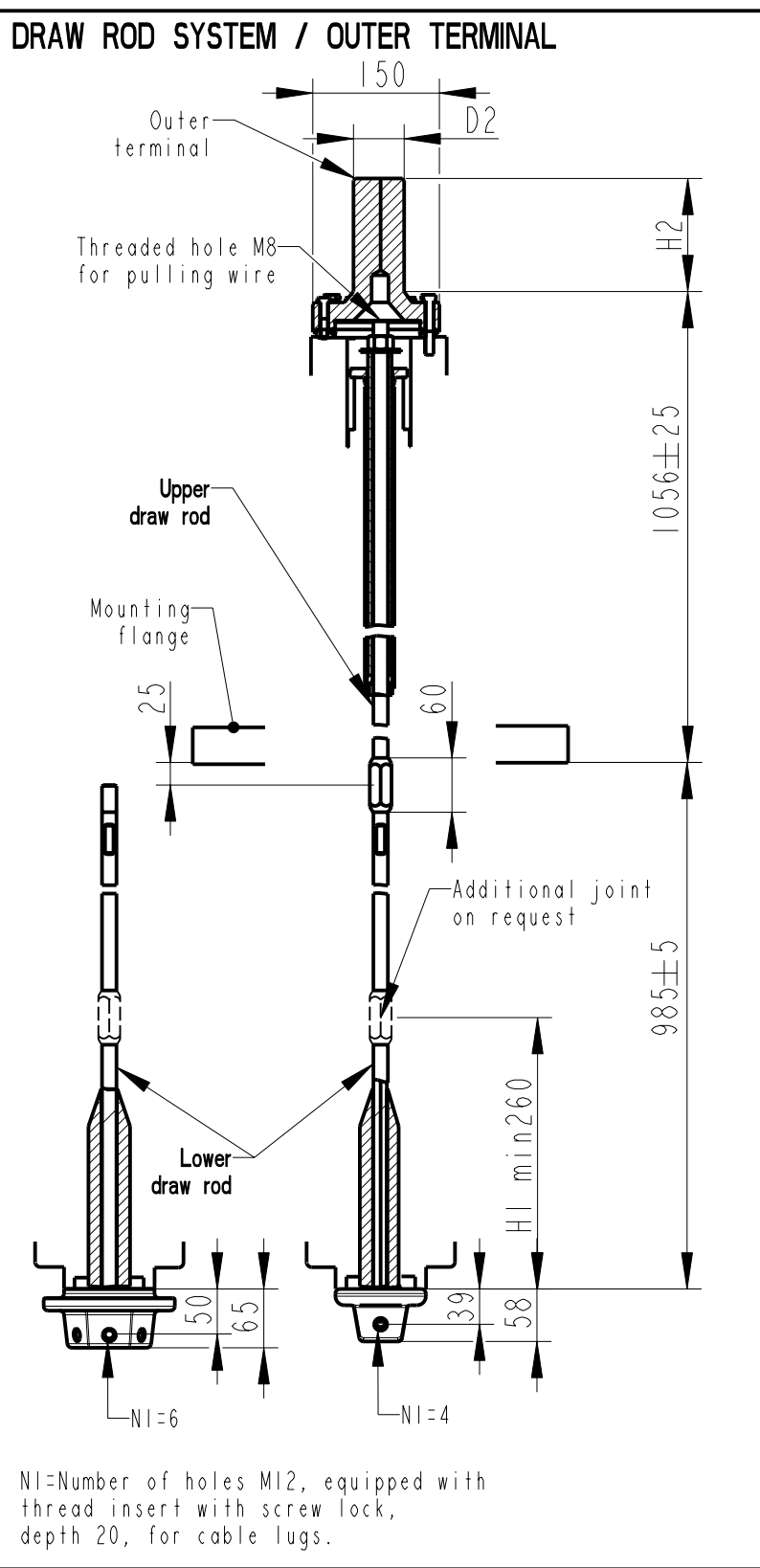
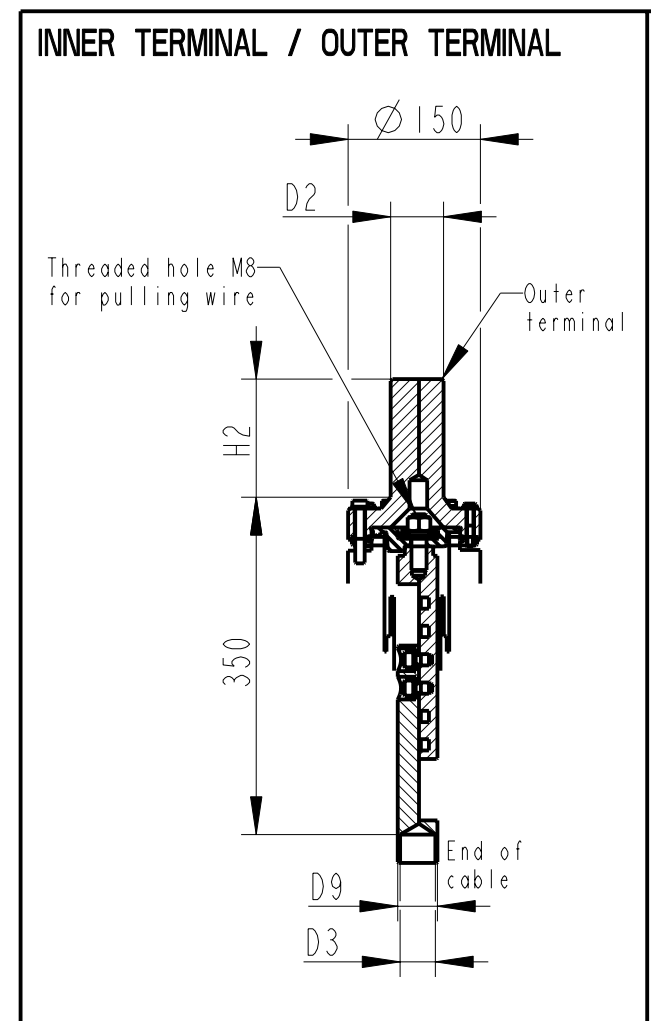
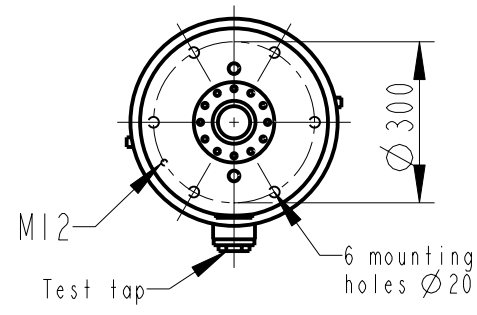
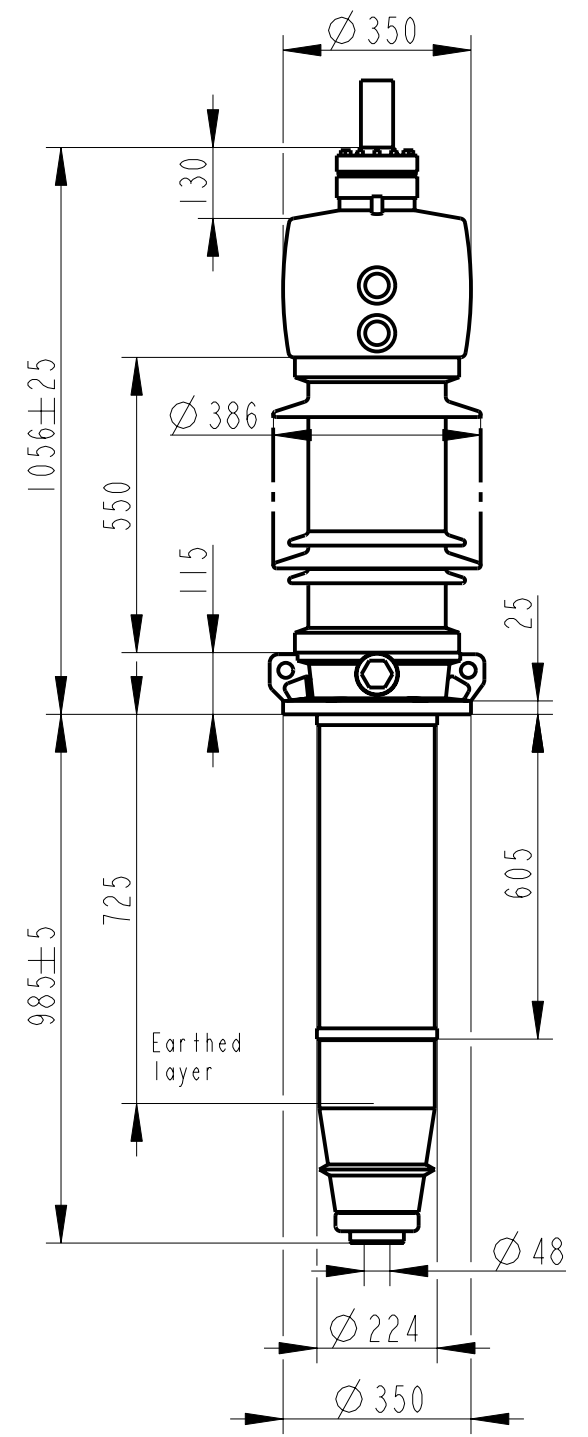
INNER TERMINAL

	D3	D9	Cond.area	Current (A)	
	(mm)	(mm)	(mm ²)	IEC	IEEE
LF170 056-E O *)	45	-	-	-	-
LF170 056-D	40	45	600	1600	1360

*) WITH PILOT HOLE D=5

ABB Components Luleå, Sweden

Ur-ty	Nb	50-60 Hz
U	kV SI	kV AC
M	kg L	mm D
C1	pF Tanδ	;
C2	pF Tanδ	;



Based on	Reg. No.	Title	
Prepared Lövnord	Responsible department COM/BK 0022	GOE-250-210-3150-0.6	
Approved Johansson	Take over department		
Design engineering review Gutman	Database	Page 1(1)	
ABB ABB Components		Document No. 2751369-2	

We reserve all rights in this document and in the information contained therein. Reproduction, use or disclosure to third parties without express authority is strictly forbidden. ©ABB