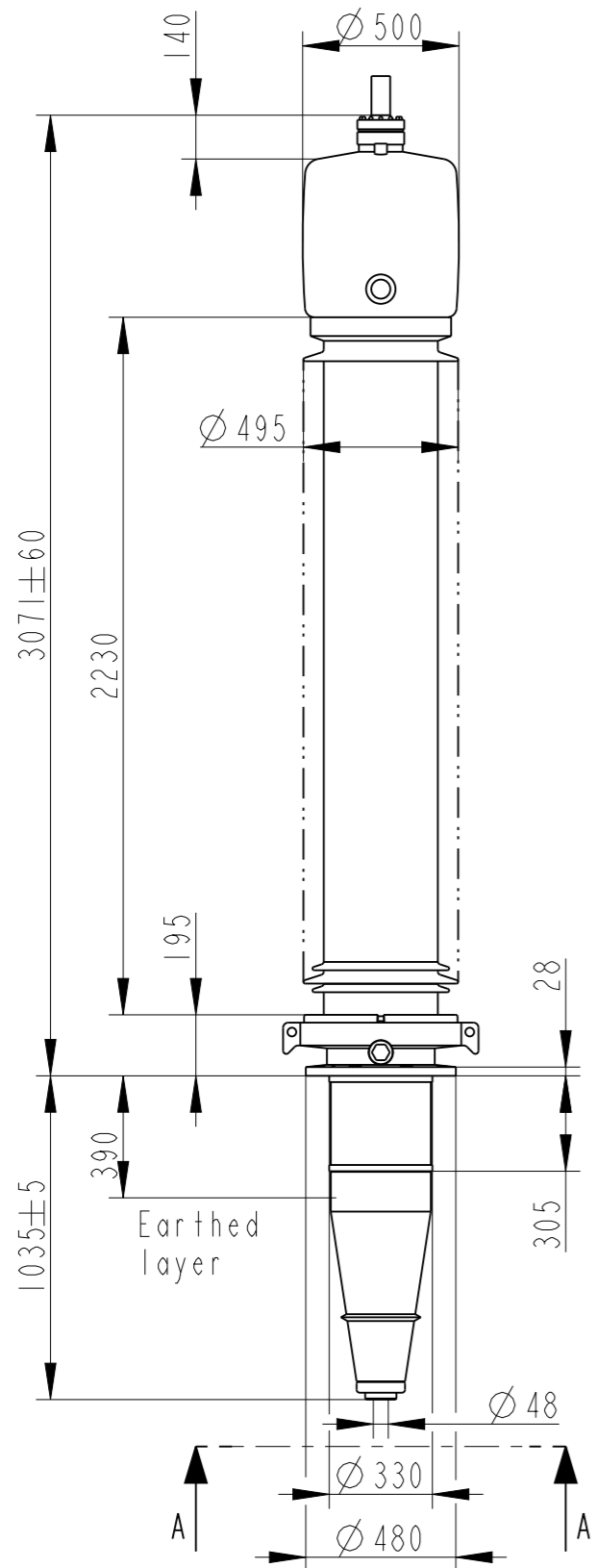


This document is issued by means of a computerized system. The digitally stored original is electronically approved. The approved document has a date entered in the "Approved"-field. A manual signature is not required.

The information contained in this document has to be kept strictly confidential. Any unauthorized use, reproduction, distribution or disclosure to third parties are strictly forbidden. ABB reserves all rights regarding Intellectual Property Rights. © Copyright 2010 ABB. All rights reserved.



Bushing Data:

Rated Voltage	245 kV
Phase to-earth Voltage	141 kV
Dry Lightning Impulse 1,2/50µs	1050 kV
Wet Switching Impulse	750 kV
Wet Power frequency AC	480 kV
Routine test Imin dry 50Hz	505 kV
Rated Current	2500 A
Creepage Distance	8190 mm
Mass	755 kg

Ordering Data:

BUSHING	COLOUR AIR INSULATOR BROWN				
I ZSC902245-AAA					
OUTER TERMINAL	Max. Rated Current (A)	H2 (mm)	D2 (mm)		
LF170 073-A	Al	2500	125	60	
LF170 073-B	Cu	4000	125	60	
LF170 073-G	Cu/Ag	4000	125	60	
LF170 073-L	Cu/Sn	4000	125	60	
LF170 073-BA	Cu/Ag	3000	125	2"-12UN	
LF170 073-AA	Cu	5000	125	96	
END-SHIELD	EPOXY INSULATED INSULATED WITH 3 mm PRESSBOARD				
LF170 046-U					
LF170 046-UP					
DRAW ROD SYSTEM	LOWER DRAW ROD WITH NI=4 OR NI=6 UPPER DRAW ROD				
LF170 059-FT OR-LR					
LF170 057-BB					
INNER TERMINAL	D3 (mm)	D9 (mm)	Cond.area (mm2)	Current (A) IEC	IEEE
LF170 056-E	0 *	45	-	-	-
LF170 056-D	40	45	600	1600	1360

*) WITH PILOT HOLE D=5

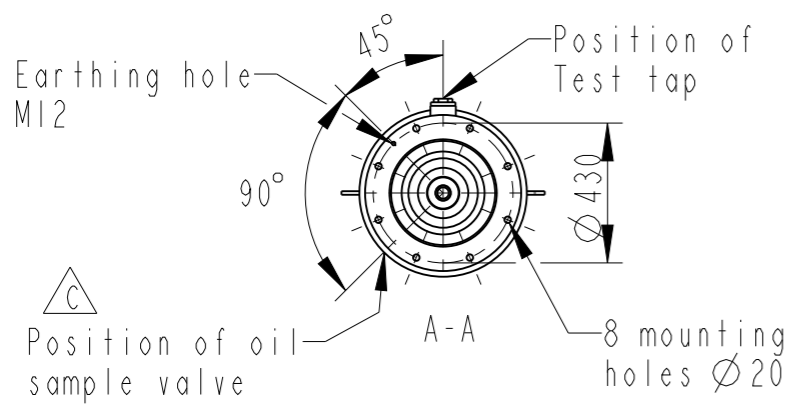
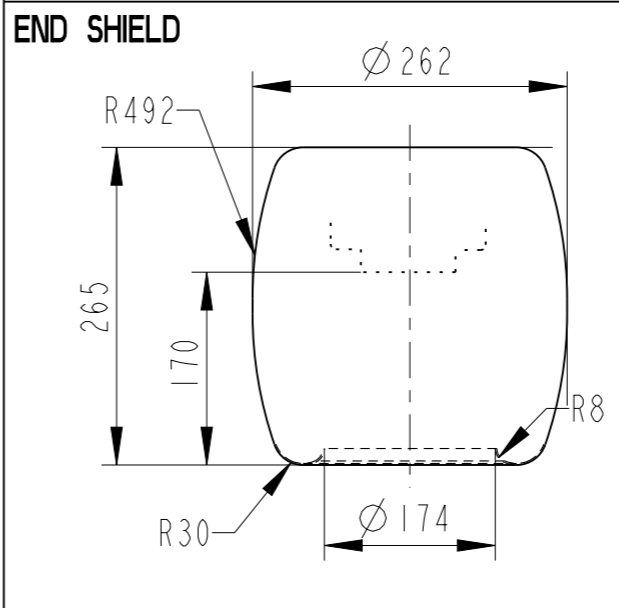
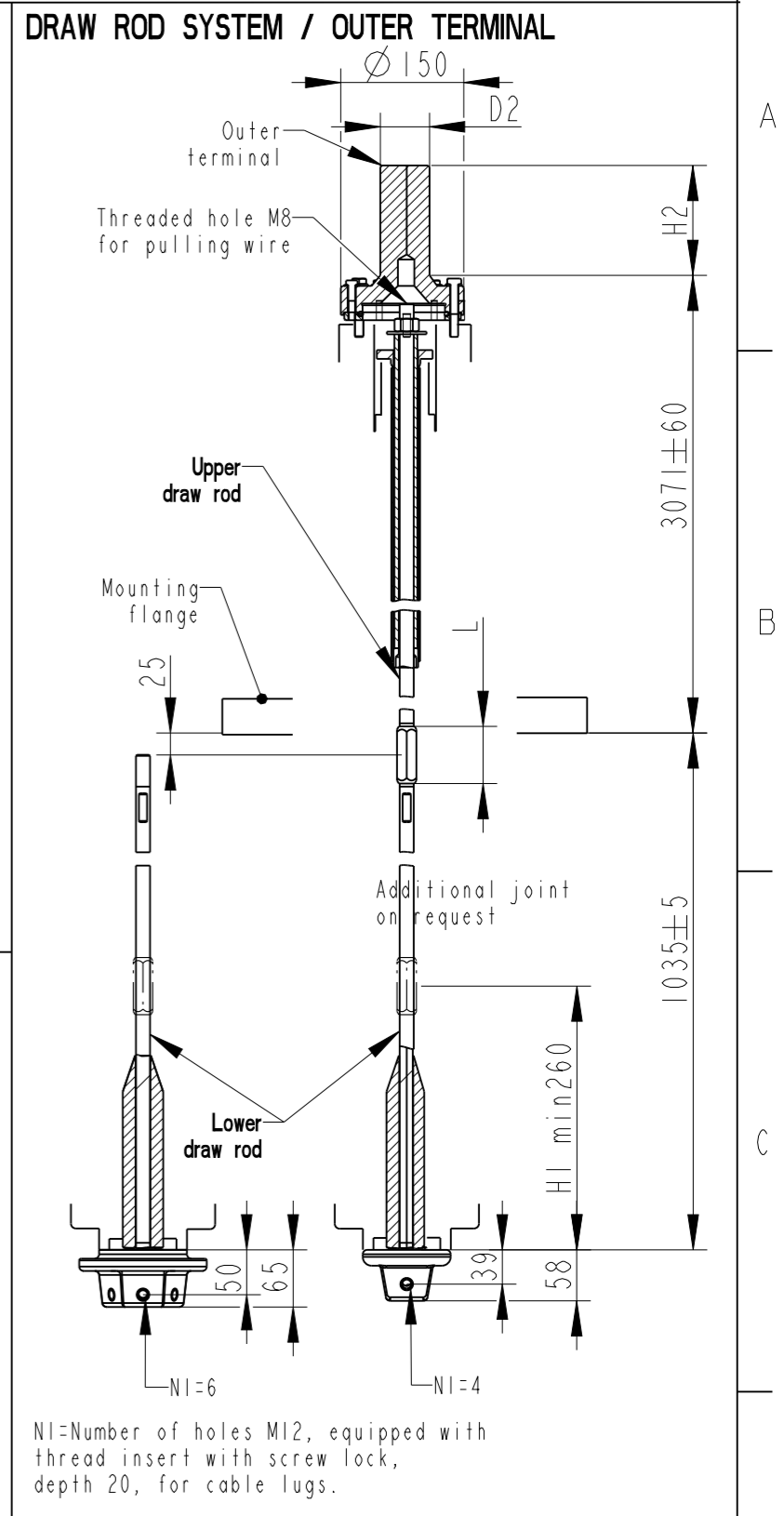
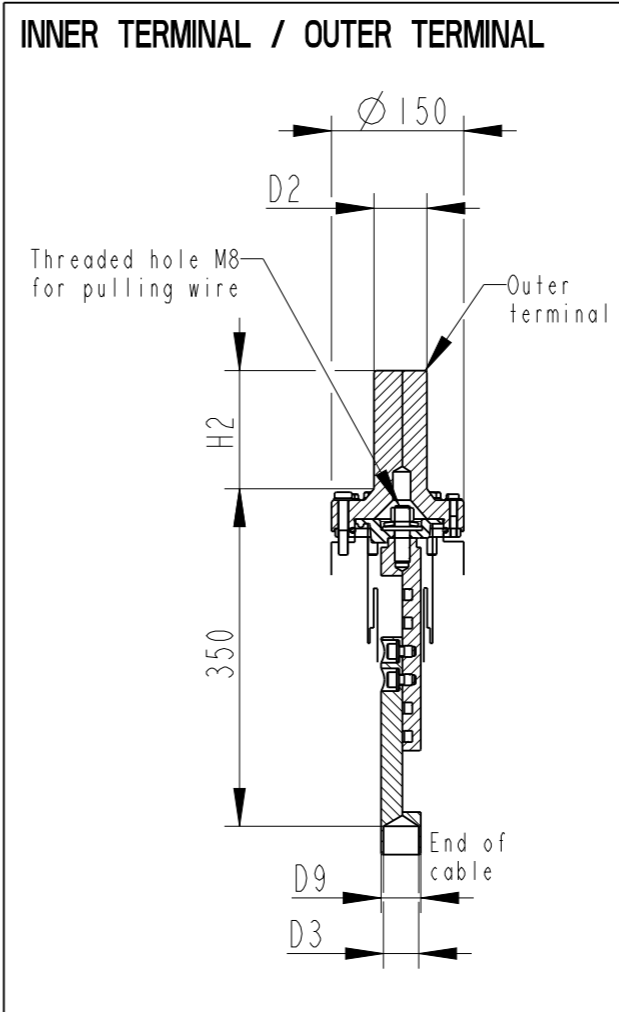


ABB Ludvika, Sweden

No.	Um/Uy	kV Ir	A	50/60 Hz
BIL	kV SIL	kV AC	kV	
M	kg L	mm D		
C1	pF Tanδ			
C2	pF Tanδ			

Prepared	Ali Amin	2010-02-19	Responsible department	PPCO/BK	Title	
Modified by	Palpandi K	2010-10-13	Take over department		GOE 1050-750-2500-0.3	
Approved by	Urban Schander	2010-10-15	Used in product		GOE 1050-750-2500-0.3	
Revision	C	Added note "Position of oil sample valve"			Order	Sheet no. 1
ABB					Document no.	No. Shts. (1)
					2751369-311	