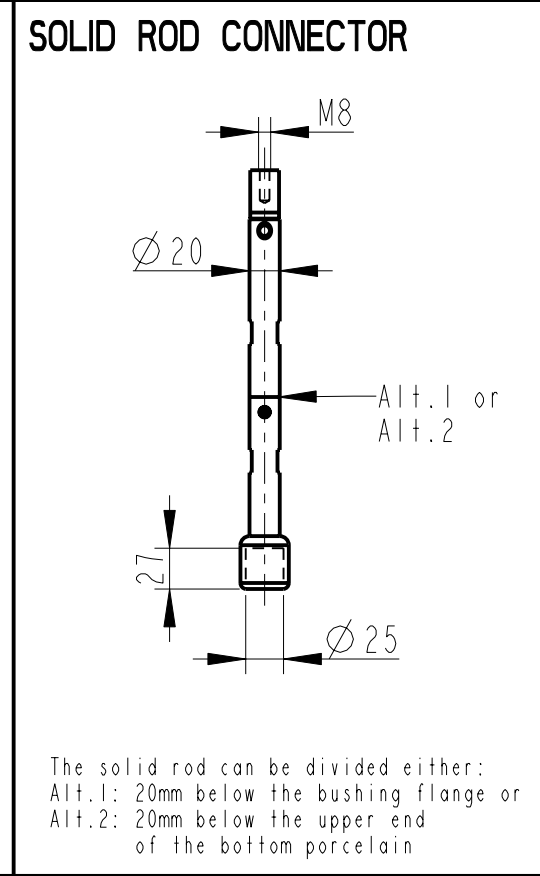
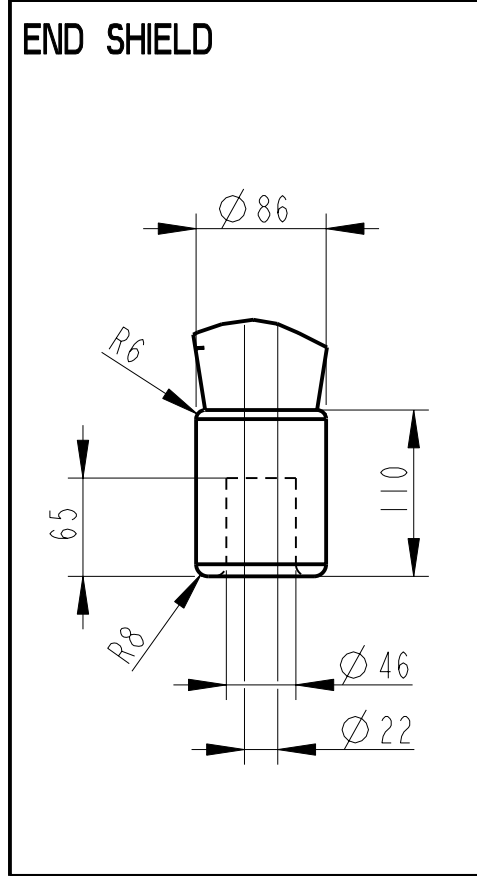
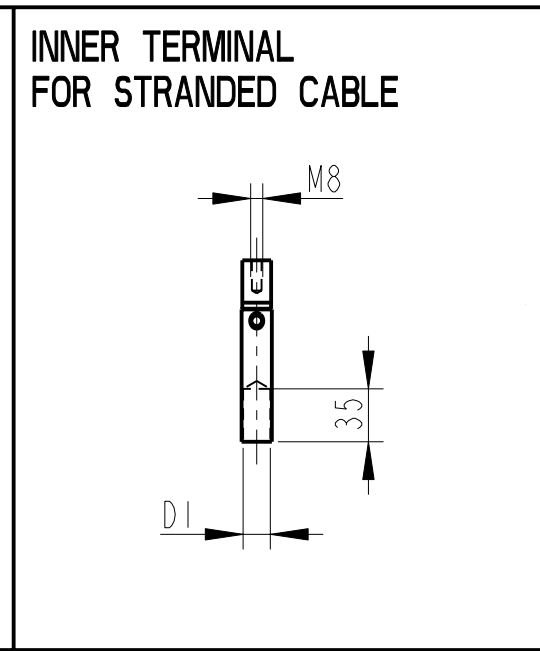
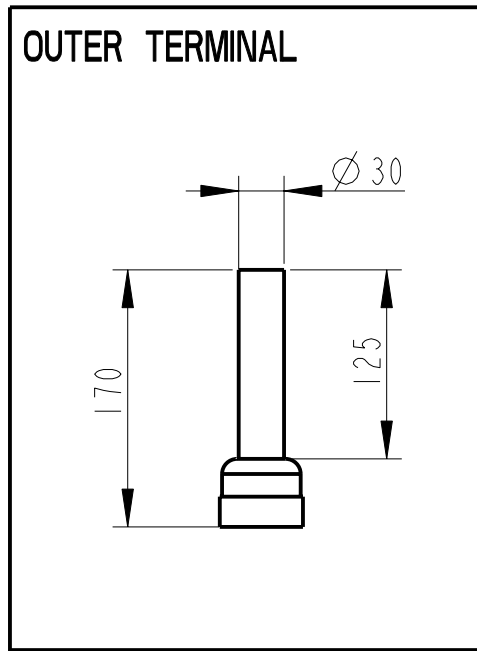
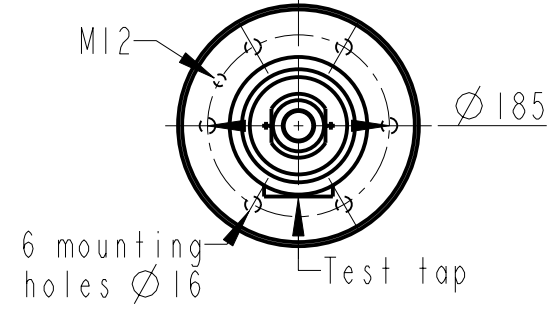
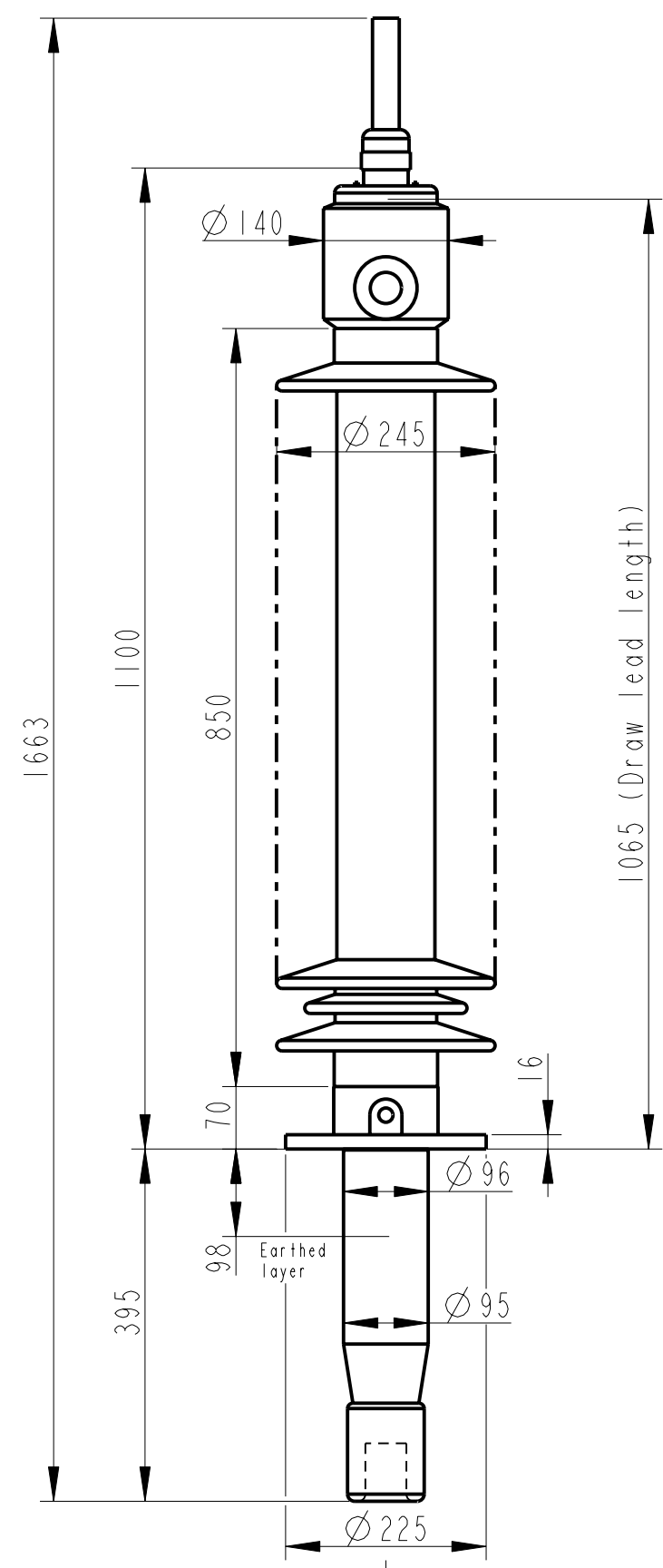


Rev Ind	Revision	Appd	Date
1		TL	01-38



The solid rod can be divided either:
 Alt.1: 20mm below the bushing flange or
 Alt.2: 20mm below the upper end of the bottom porcelain

Bushing Data:

Rated Voltage	123	kV
Phase to Ground Voltage	90	kV
Dry Lightning Impulse I, 2/50μs	450	kV
Wet power frequency AC	185	kV
Routine test I min dry 50Hz	195	kV
Rated Current	800	A
Creepage Distance	2720±80	mm
Creepage Distance Protected	1060	mm
Mass	43	kg

Ordering Data:

BUSHING	COLOUR AIR INSULATOR	
LF123145-M	BROWN	
-N	LIGHT GREY	
OUTER TERMINAL		
LF 170 002-A	Cu, Ø 30, L=125	
LF 170 001-A	Al, Ø 30, L=125	
OTHER TYPES ON REQUEST		
INNER TERMINAL FOR STRANDED CABLE		
For brazing	Conductor area	D1
LF 170 011-S	up to 150mm ²	Ø18
LF 170 011-U	Undrilled with pilot hole	Ø5
For crimping or brazing	Conductor area	D1
LF 170 010-M	50mm ²	Ø11
LF 170 010-N	70mm ²	Ø13
LF 170 010-L	95mm ²	Ø15
SOLID ROD CONNECTOR		
LF 170 019 -BS	for Alt.1	
N/A	for Alt.2	

ABB Components Ludvika, Sweden	
No.	
Ur-ty	kV Ir A 50/60 Hz
LI / SI / AC	
M	kg L mm V
C1	pF Tan δ
C2	pF Tan δ

Based on	Reg. No.
Prepared	Responsible department
Lövnord	COM/BK
Approved	Take over department
Johansson	
Design engineering review	Database
Gudmundsson	
ABB ABB Components	

Title	GOB 450-800-0
	WITH OIL LEVEL GAUGE
	LONG END SHIELD
Language	82
Page	1(1)
Document No.	2751369-200

We reserve all rights in this document and in the information contained therein. Reproduction, use or disclosure to third parties without express authority is strictly forbidden. ©ABB