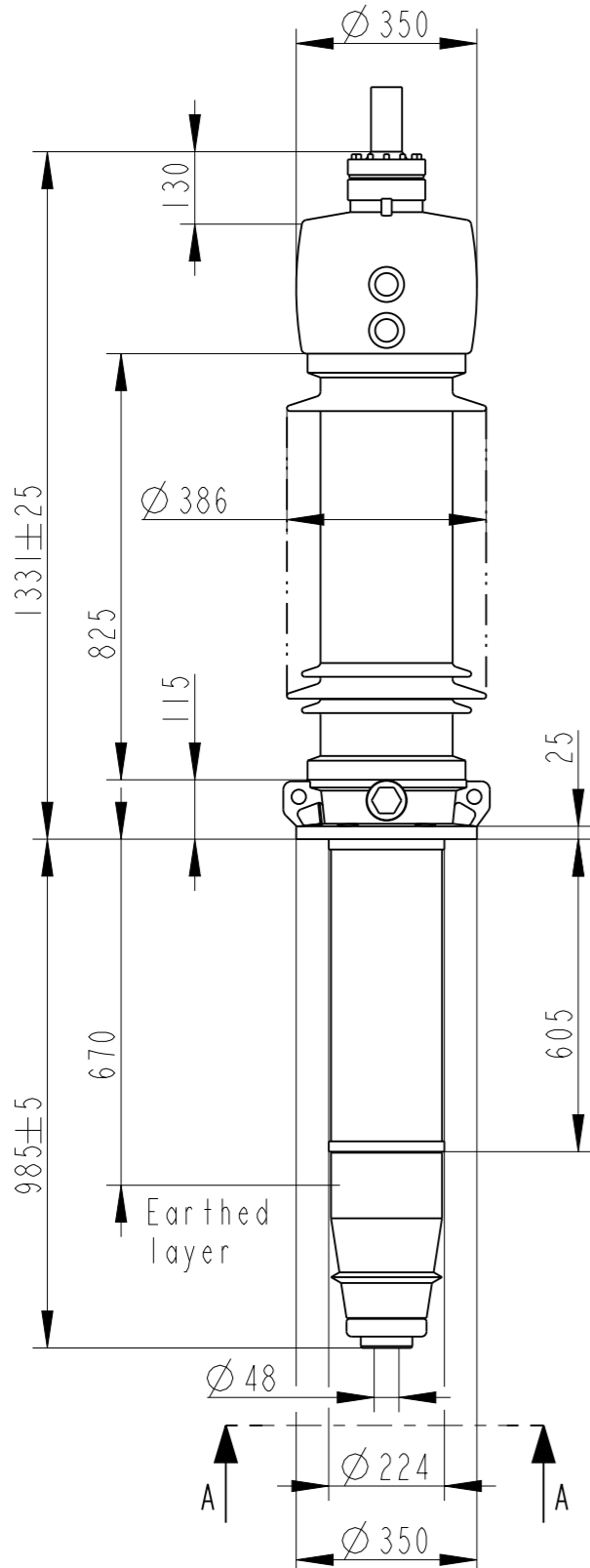


This document is issued by means of a computerized system. The digitally stored original is electronically approved. The approved document has a date entered in the "Approved"-field. A manual signature is not required.

The information contained in this document has to be kept strictly confidential. Any unauthorized use, reproduction, distribution or disclosure to third parties are strictly forbidden. ABB reserves all rights regarding Intellectual Property Rights. © Copyright 2010 ABB. All rights reserved.



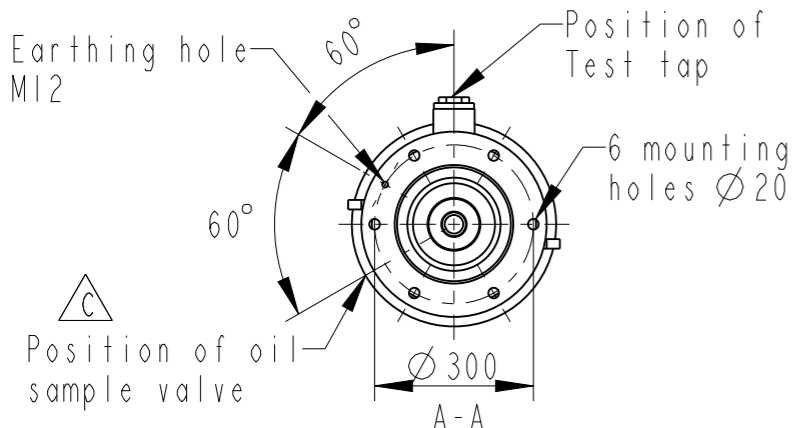
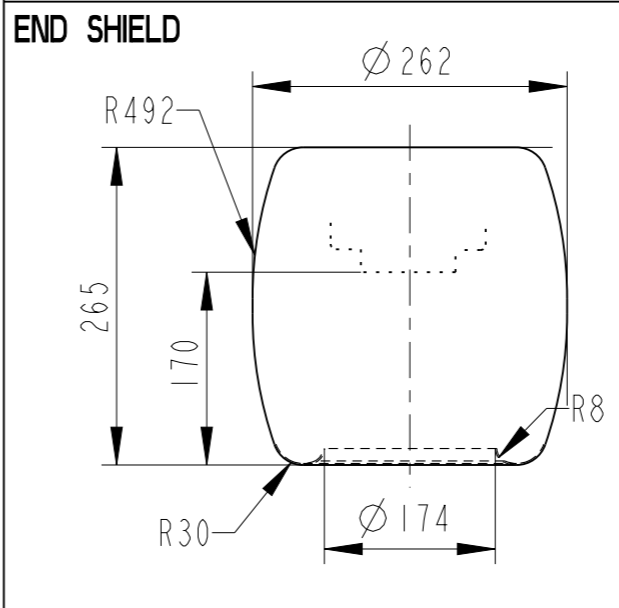
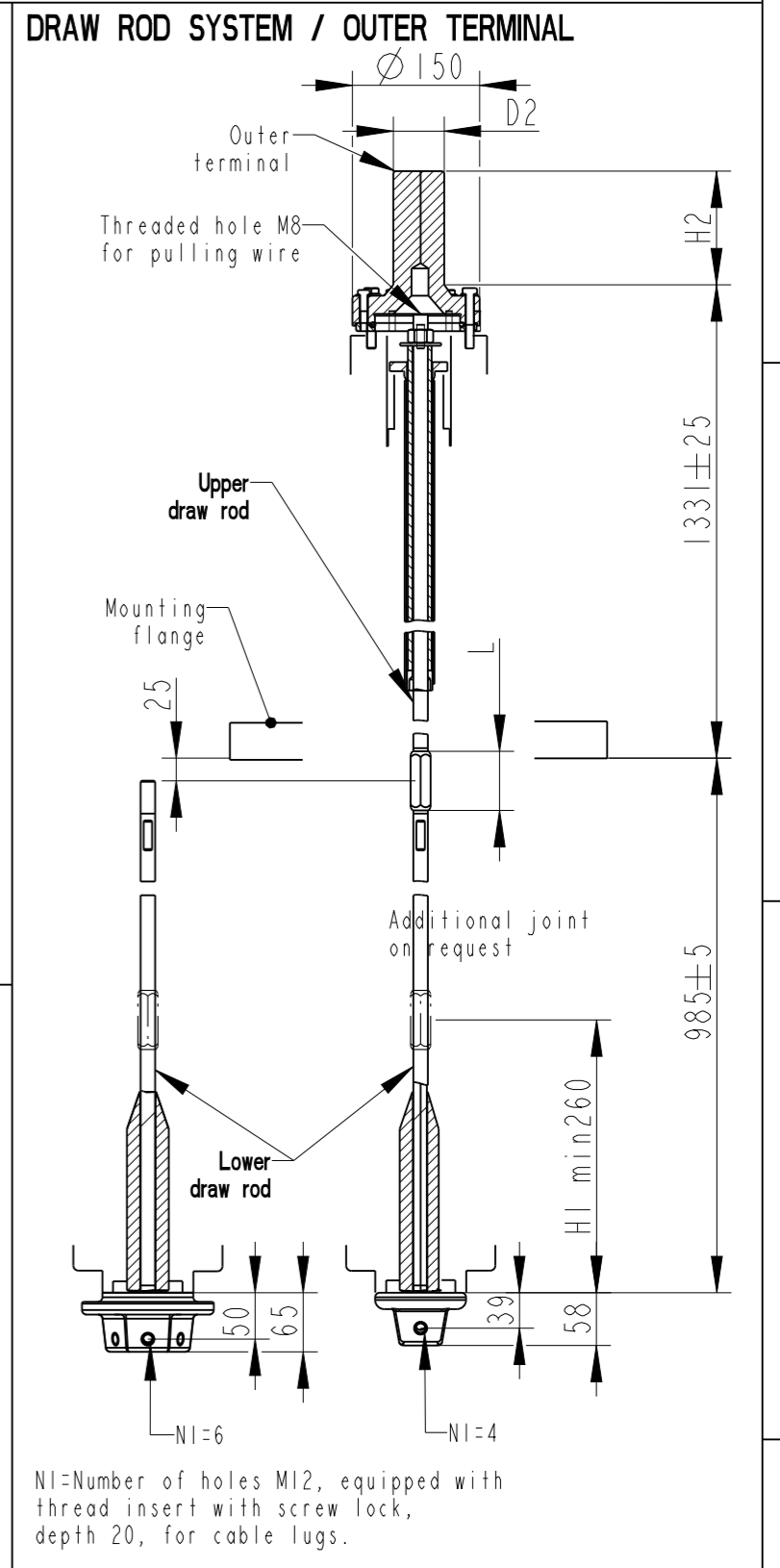
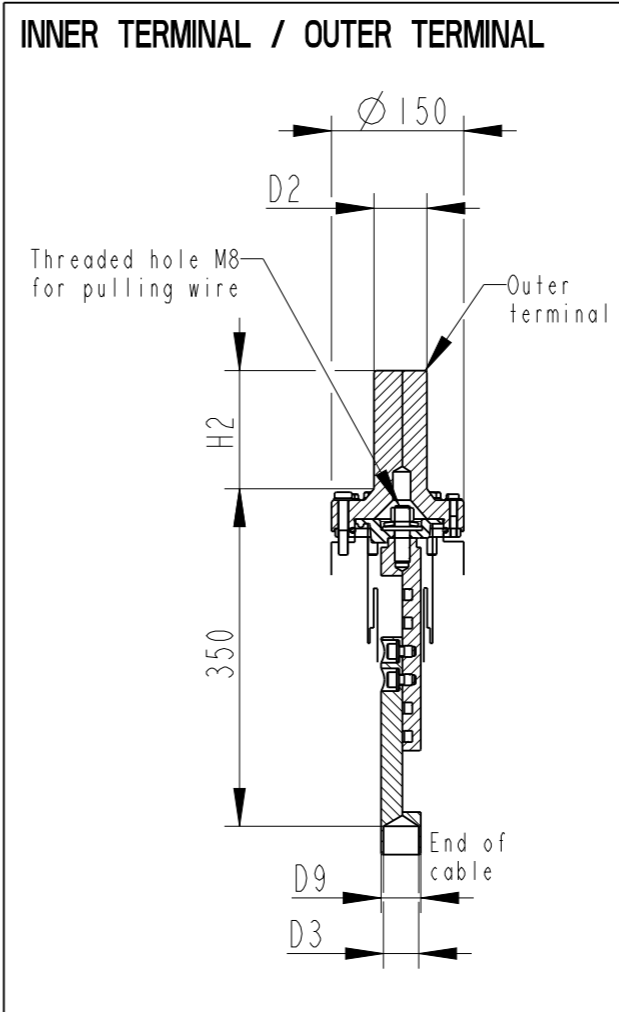
**Bushing Data:**

Rated Voltage	52 kV
Phase to-earth Voltage	30 kV
Dry Lightning Impulse 1,2/50µs	250 kV
Wet Switching Impulse	210 kV
Wet Power frequency AC	120 kV
Routine test Imin dry 50Hz	120 kV
Rated Current	3150 A
Creepage Distance	2955 mm
Mass	240 kg

**Ordering Data:**

<b>BUSHING</b>		COLOUR AIR INSULATOR BROWN			
IZSC902052-AAB					
<b>OUTER TERMINAL</b>					
		Max. Rated H2	D2		
		Current (A)	(mm)	(mm)	
LF170 073-A	Al	2500	125	60	
LF170 073-B	Cu	4000	125	60	
LF170 073-G	Cu/Ag	4000	125	60	
LF170 073-L	Cu/Sn	4000	125	60	
LF170 073-BA	Cu/Ag	3000	125	2"-12UN	
LF170 073-AA	Cu	5000	125	96	
<b>END-SHIELD</b>					
LF170 046-U	EPOXY INSULATED				
LF170 046-UP	INSULATED WITH 3 mm PRESSBOARD				
<b>DRAW ROD SYSTEM</b>					
LF170 059-BP OR-E	LOWER DRAW ROD WITH NI=4 OR NI=6				
LF170 057-C	UPPER DRAW ROD				
<b>INNER TERMINAL</b>					
	D3	D9	Cond.area	Current (A)	
	(mm)	(mm)	(mm <sup>2</sup> )	IEC	IEEE
LF170 056-E	0 *	45	-	-	-
LF170 056-D	40	45	600	1600	1360

\*) WITH PILOT HOLE D=5



**ABB** Ludvika, Sweden

No.					
Um/Uy	kV Ir	A	50/60 Hz		
BIL	kV SIL	kV AC	kV		
M	kg L	mm D			
C1	pF Tanδ	z			
C2	pF Tanδ	z			

Prepared	Ali Amin	2010-02-17	Responsible department	PPCO/BK	Title	
Modified by	Palpandi K	2010-10-12	Take over department		GOE 250-210-3150-0.6	
Approved by	Urban Schander	2010-10-15	Used in product		GOE 250-210-3150-0.6	
Revision	C Added note "Position of oil sample valve"			Order		
<b>ABB</b>				Document no.	2751369-298	
					Language	82
					Sheet no.	1
					No. Shts.	(1)